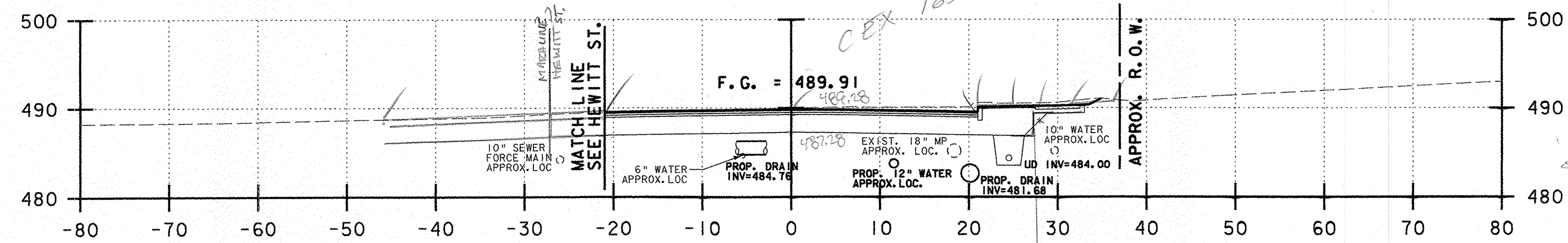
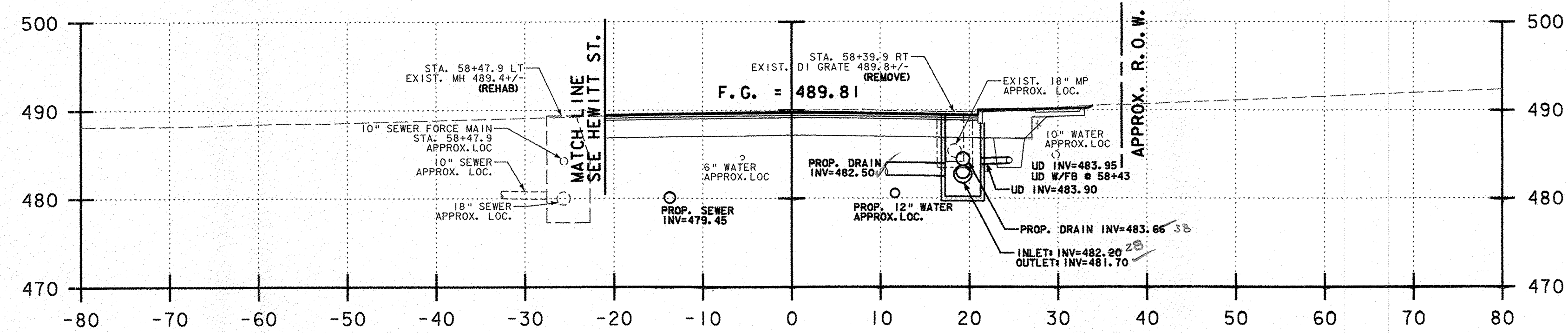


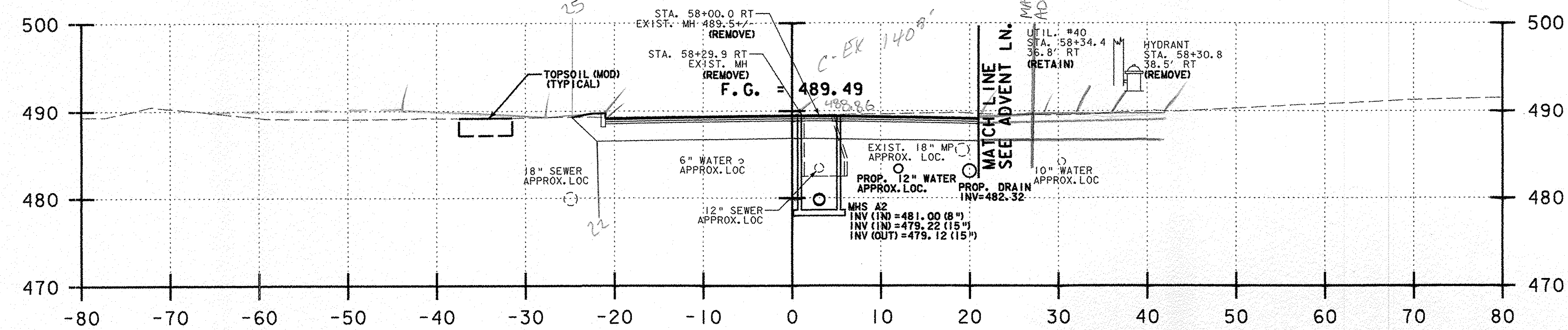
58+65.00



58+50.00



58+40.00



58+00.00

NOTES:

- 1) REFER TO ROADWAY LAYOUT AND UTILITY LAYOUT SHEETS FOR PROPOSED ABANDONMENT, REMOVAL, OR PROTECTION REQUIREMENTS OF EXISTING UTILITIES IN CONFLICT WITH PROPOSED WORK.

## U.S. ROUTE 5 HARTFORD AVENUE

PROJECT NAME: HARTFORD	
PROJECT NUMBER: RS 0113(40)	
FILE NAME: z86c027xsl.dgn	PLOT DATE: 1/11/2007
PROJECT LEADER: KEN UPMAL	DRAWN BY: E. ATKINS
DESIGNED BY: K. ISHIKURA	CHECKED BY: K. ISHIKURA
E. ATKINS	SHEET 223 OF 239