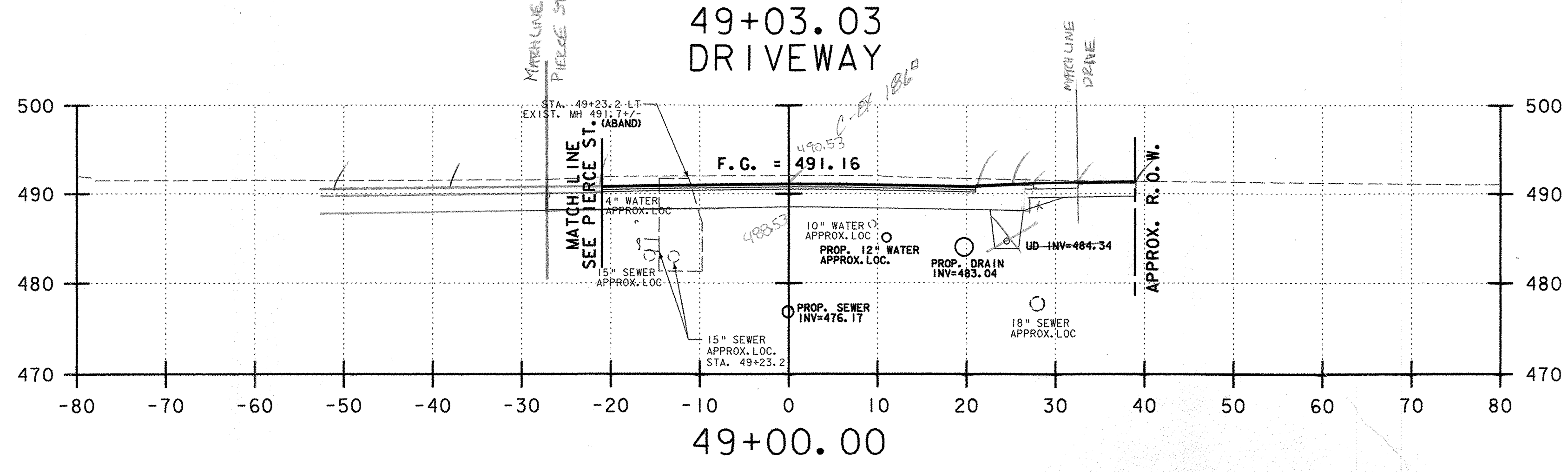
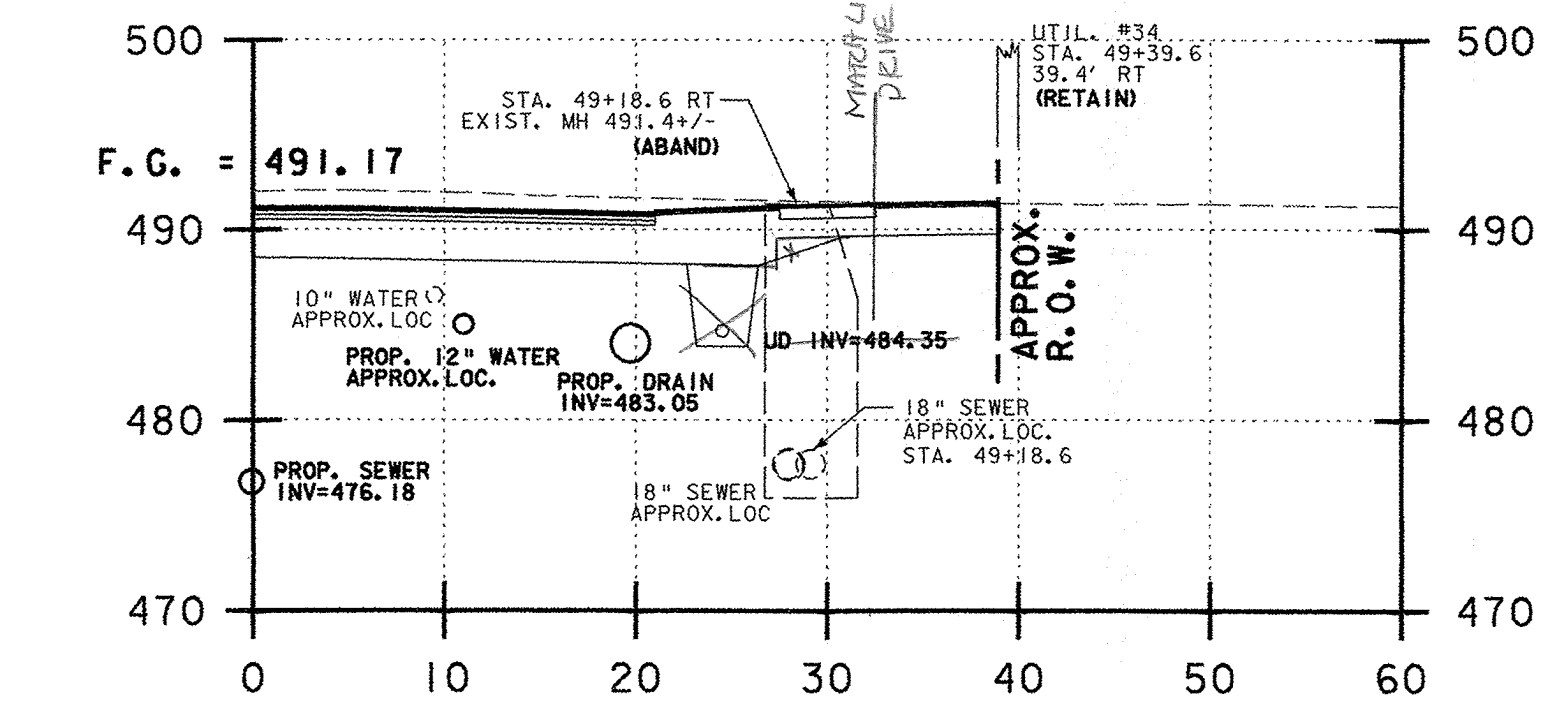
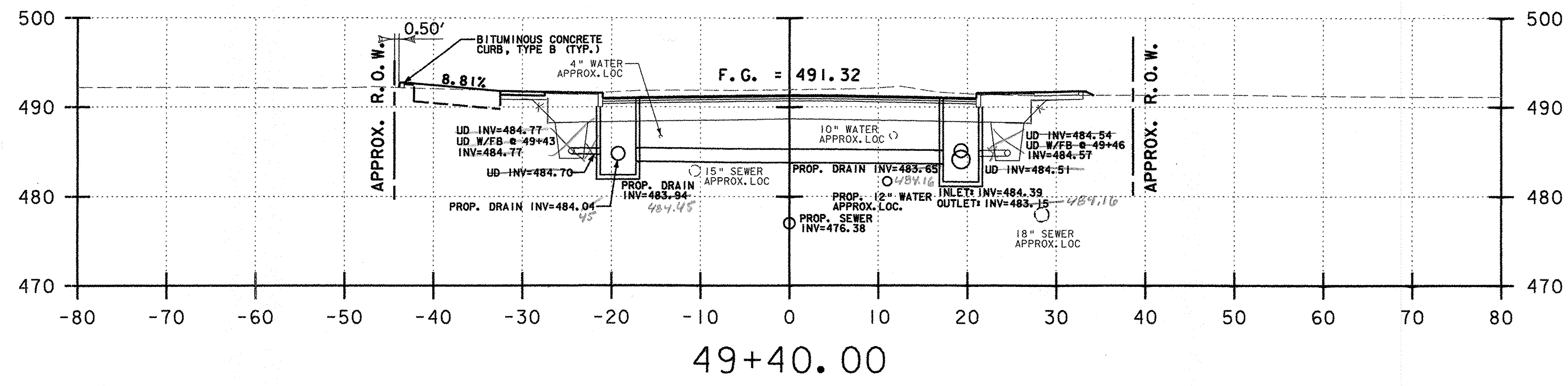


SUBDRAIN 125.46 SF AC 3/23/10  
 COMMON = 193.5 SF RCD 1/12/11  
 FIG. = 54.0 LF RCD 1/25/11  
 0.23 01/12/11



SUBDRAIN = 115.97 SF AC 3/23/10  
 COMMON = 203.1 SF RCD 1/12/11  
 FIG. = 54.0 LF RCD 1/25/11  
 0.23 01/12/11

## U.S. ROUTE 5 HARTFORD AVENUE

**NOTES:**  
 1) REFER TO ROADWAY LAYOUT AND UTILITY LAYOUT SHEETS FOR PROPOSED ABANDONMENT, REMOVAL, OR PROTECTION REQUIREMENTS OF EXISTING UTILITIES IN CONFLICT WITH PROPOSED WORK.

PROJECT NAME: HARTFORD	
PROJECT NUMBER: RS 0113(40)	
FILE NAME: z86c027xsl.dgn	PLOT DATE: 1/11/2007
PROJECT LEADER: KEN UPMAL	DRAWN BY: E. ATKINS
DESIGNED BY: K. ISHIKURA	CHECKED BY: K. ISHIKURA
E. ATKINS	SHEET 215 OF 239