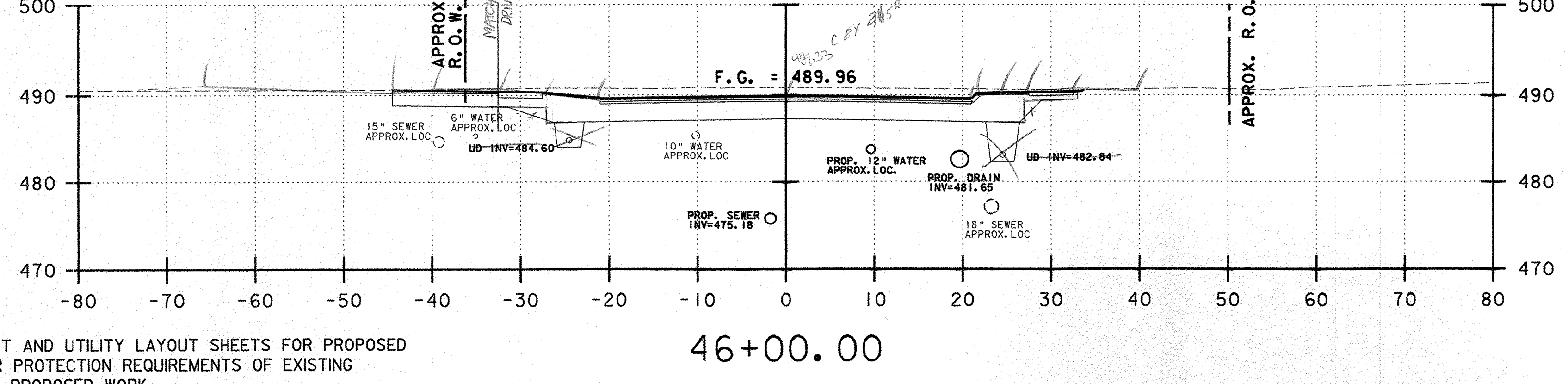
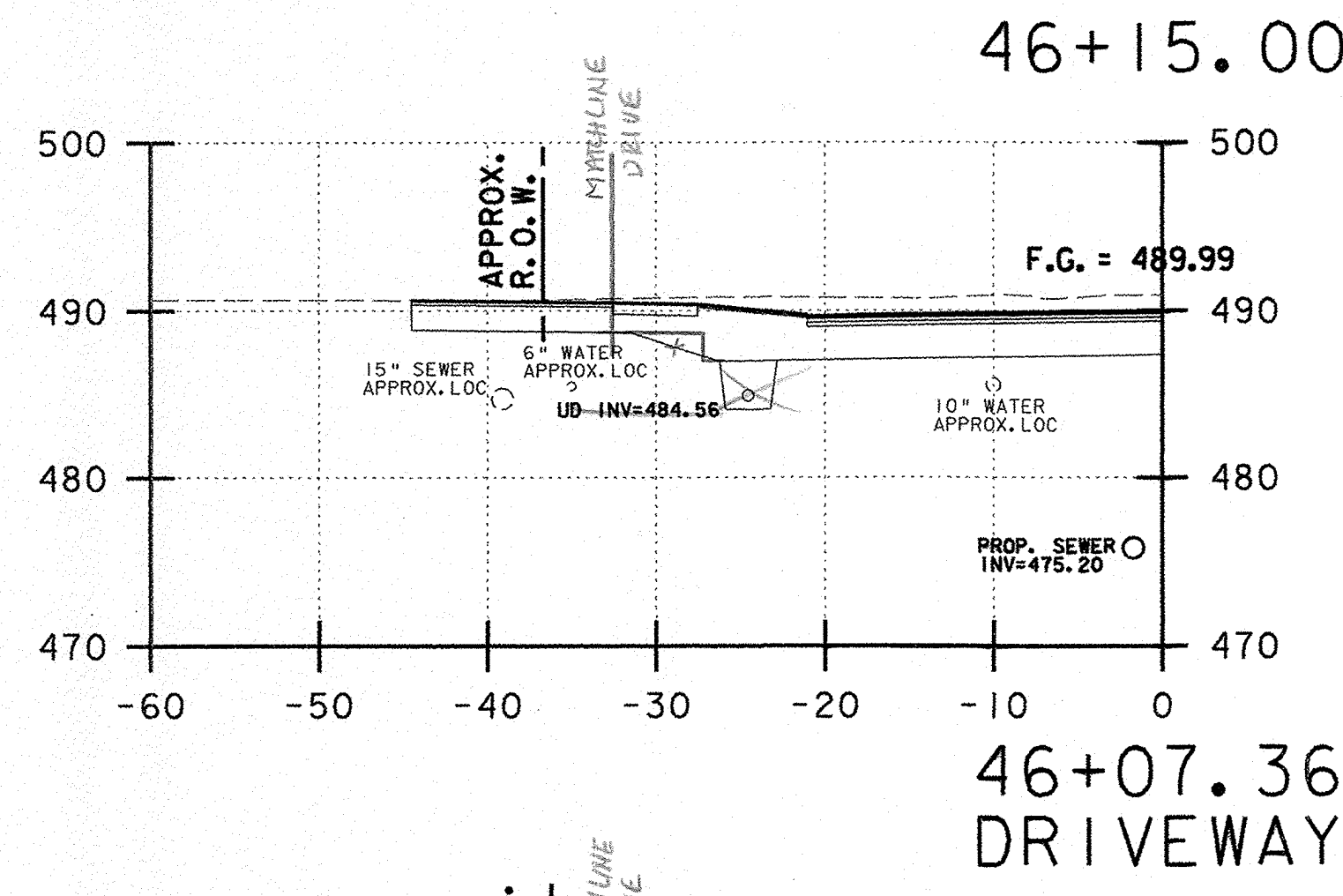
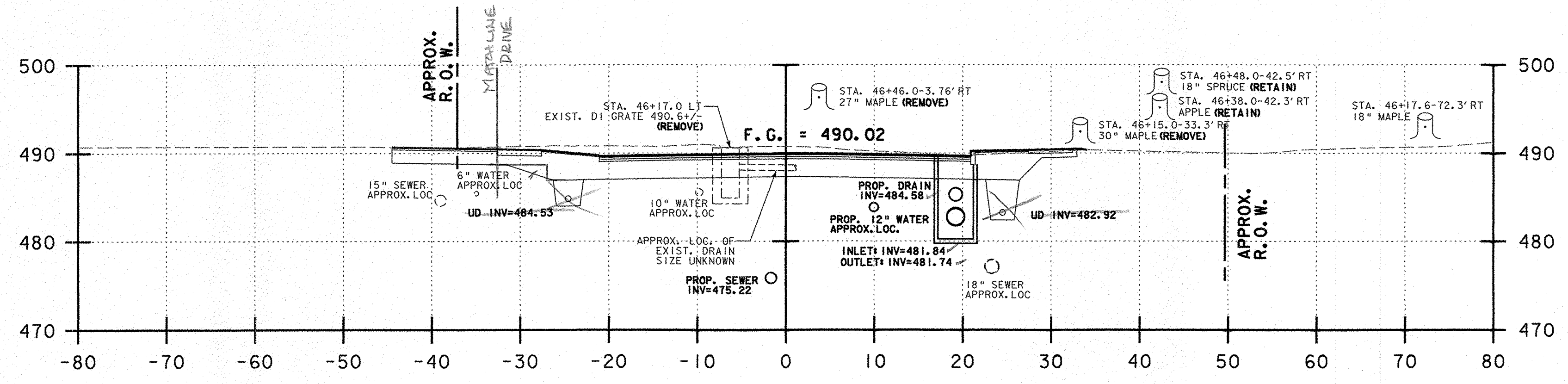


SUBBASE 12618 SF 13L 3/23/10
 COMMON = 189.0 SF RCD 1/12/11
 F.G. = 54.0 LF RCD 1/21/11
 EOB 01/11/11



SUBBASE 12380 SF 13L 3/23/10
 COMMON = 210.0 SF RCD 1/12/11
 F.G. = 54.0 LF RCD 1/21/11
 EOB 01/11/11

NOTES:
 1) REFER TO ROADWAY LAYOUT AND UTILITY LAYOUT SHEETS FOR PROPOSED ABANDONMENT, REMOVAL, OR PROTECTION REQUIREMENTS OF EXISTING UTILITIES IN CONFLICT WITH PROPOSED WORK.

U.S. ROUTE 5 HARTFORD AVENUE

PROJECT NAME: HARTFORD	
PROJECT NUMBER: RS 0113(40)	
FILE NAME: z86c027xsl.dgn	PLOT DATE: 1/11/2007
PROJECT LEADER: KEN UPMAL	DRAWN BY: E. ATKINS
DESIGNED BY: K. ISHIKURA	CHECKED BY: K. ISHIKURA
E. ATKINS	SHEET 212 OF 239