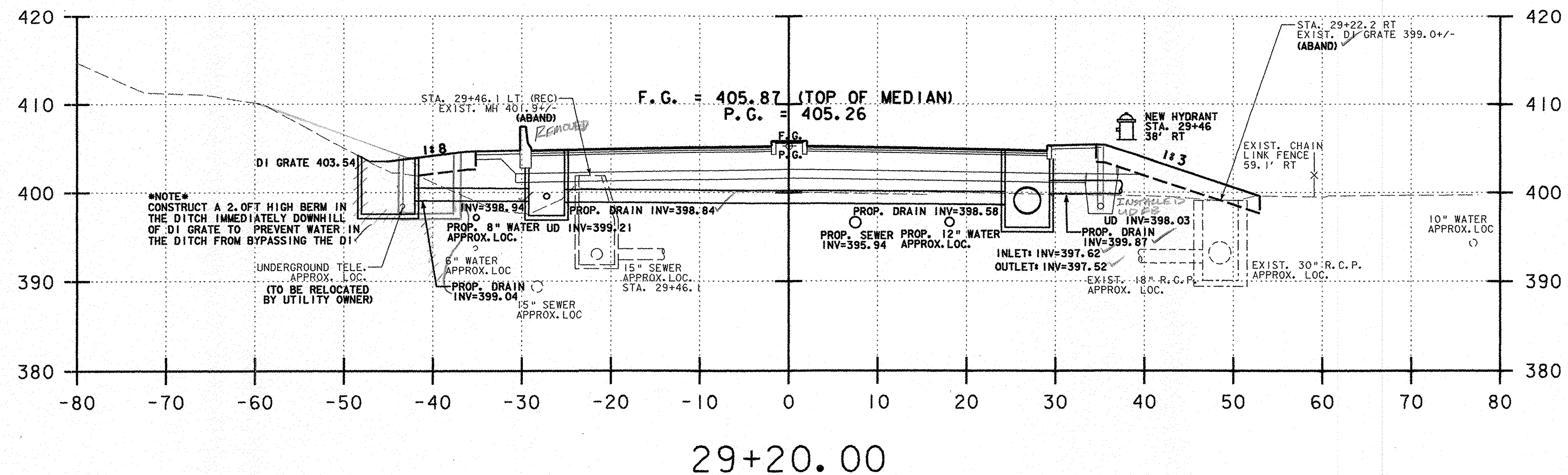
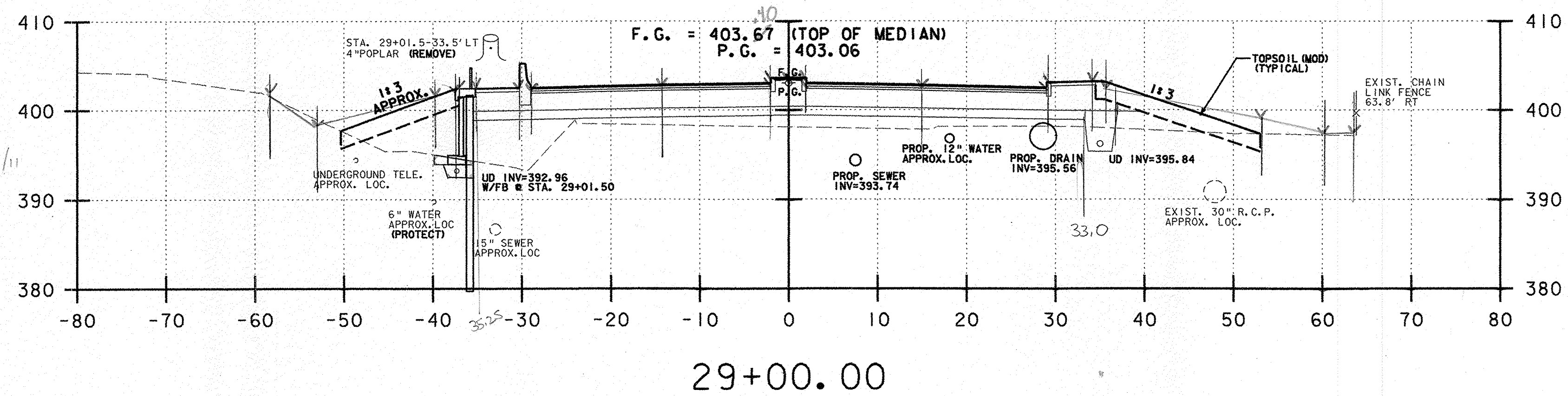


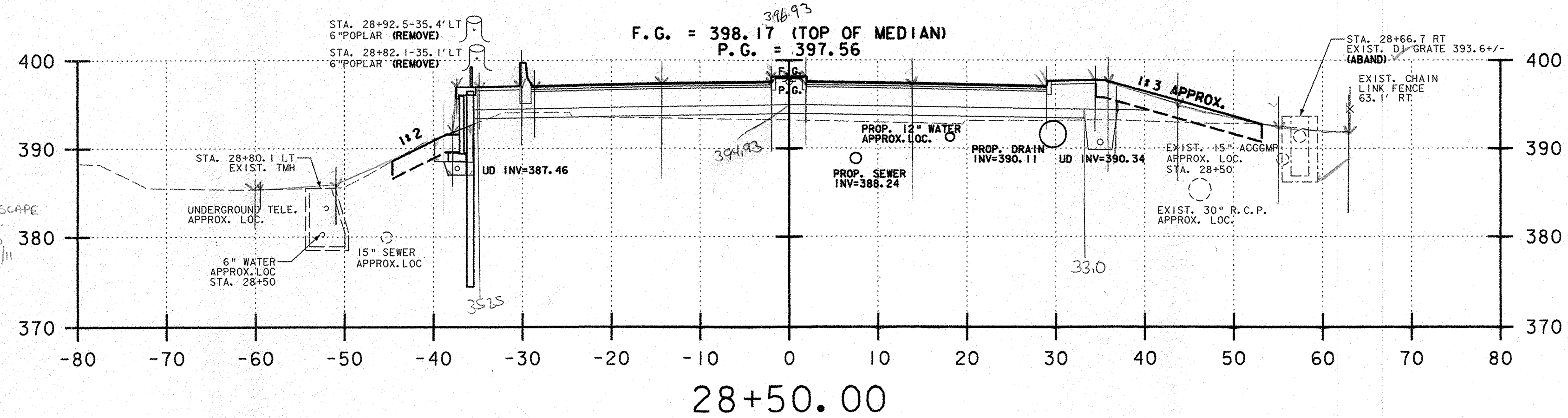
158/137



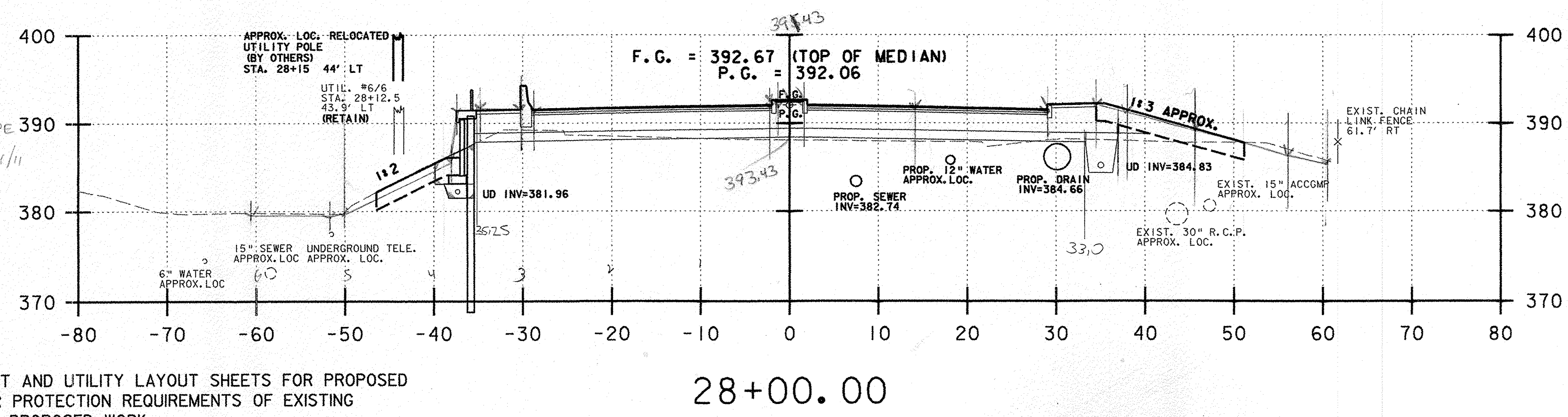
STRUCTURE EXCAVATION
 $4.5' \times \frac{(1.0' + 0.5')}{2} = 3.38 \text{ SF}$
 $1.5' \times \frac{(3.0' + 3.5')}{2} = 4.88 \text{ SF}$
 8.26 SF RCD 2/14/11



STRUCTURE EXCAVATION
 $4.5' \times \frac{(2.5' + 4.25')}{2} = 15.19 \text{ SF}$
 $1.5' \times \frac{(3.0' + 3.5')}{2} = 4.88 \text{ SF}$
 - 6.0 SF LANDSCAPE
 14.07 SF RCD 2/14/11



STRUCTURE EXCAVATION
 $4.5' \times \frac{(2.5' + 4.5')}{2} = 15.75 \text{ SF}$
 $1.5' \times \frac{(3.0' + 3.5')}{2} = 4.88 \text{ SF}$
 - 6.0 SF LANDSCAPE
 14.63 SF RCD 2/14/11



NOTES:
 1) REFER TO ROADWAY LAYOUT AND UTILITY LAYOUT SHEETS FOR PROPOSED ABANDONMENT, REMOVAL, OR PROTECTION REQUIREMENTS OF EXISTING UTILITIES IN CONFLICT WITH PROPOSED WORK.

SAND 68.25
 SUBBASE 144.77
 COMMON EXCAVATION ROADWAY=0
 LANDSCAPE LT=2X2.5/L=2.5 SF
 LANDSCAPE RT=6X2.5=6 SF
 F.L.=72
 06/10/11
 RCD 1/10/11

SAND 68.25
 SUBBASE 144.77
 COMMON EXCAVATION ROADWAY=0
 LANDSCAPE LT=2X2.5/L=2.5 SF
 LANDSCAPE RT=6X2.5=6 SF
 F.L.=72
 06/10/11
 RCD 1/25/11

SAND 68.25
 SUBBASE 144.77
 COMMON EXCAVATION ROADWAY=0
 LANDSCAPE LT=2X2.5/L=2.5 SF
 LANDSCAPE RT=6X2.5=6 SF
 F.L.=72
 06/10/11
 RCD 1/25/11

LEGEND:
 F.G. FINISHED GRADE
 P.G. PROFILE GRADE

U.S. ROUTE 5 HARTFORD AVENUE

PROJECT NAME:	HARTFORD	PLOT DATE:	1/11/2007
PROJECT NUMBER:	RS 0113(40)	DRAWN BY:	E. ATKINS
FILE NAME:	z86c027xsl.dgn	CHECKED BY:	K. ISHIKURA
PROJECT LEADER:	KEN UPMAL	SHEET	196 OF 239
DESIGNED BY:	K. ISHIKURA		