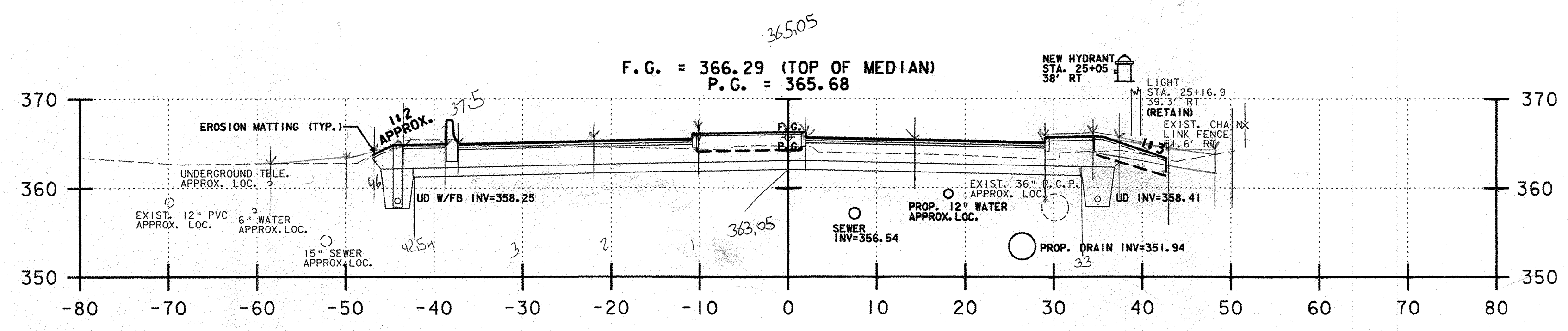
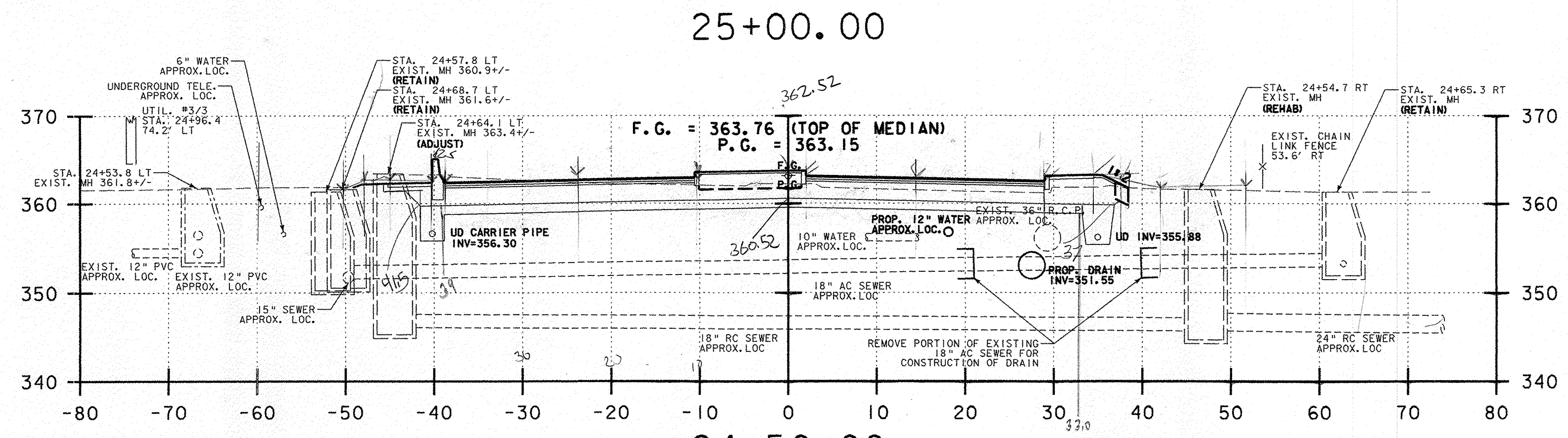


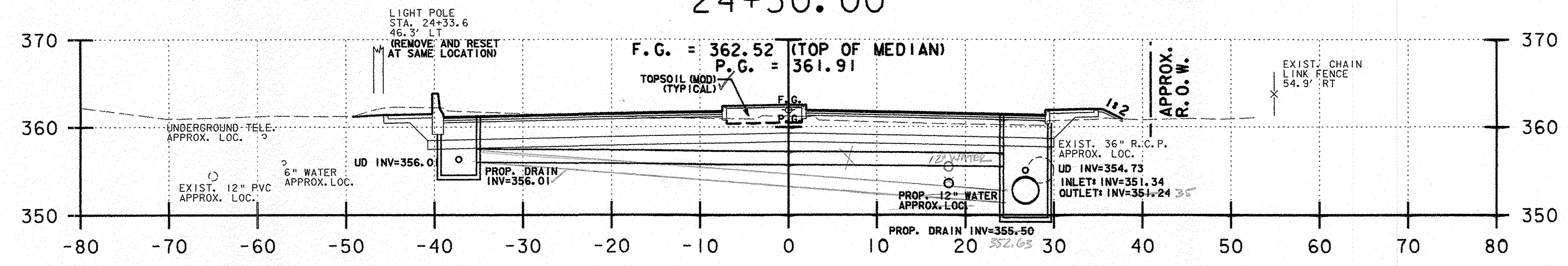
1.58  
1.37



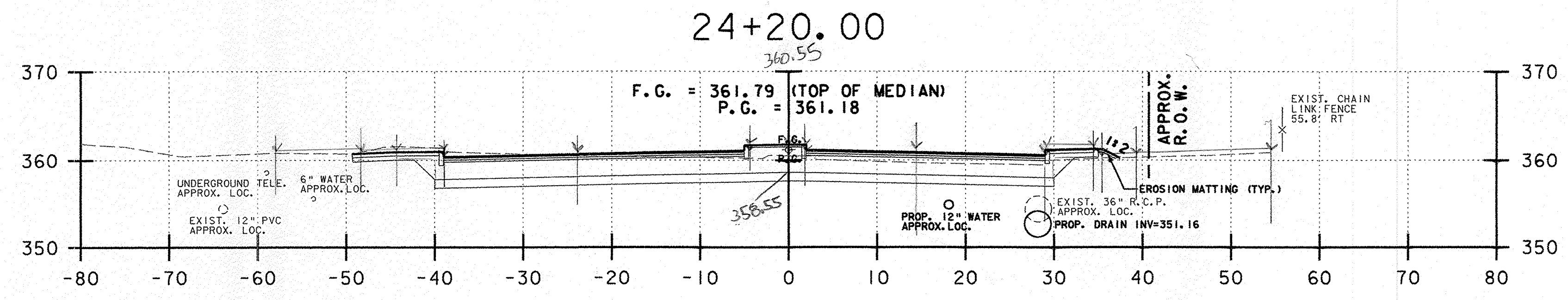
Common Excavation Roadway 143 HSS = 221.65 SF } BL 3/23/10  
 Landscaping 7 x 155 = 10.85 SF } RCD 1/10/11  
 SAND 75.50 SF } BL 3/23/10  
 SUBBASE 174.72 } RCD 01/10/11  
 F.L. 82.5 ✓ RCD 1/25/11



SAND = 72.0 SF } CB 01/10/11  
 SUBBASE 174.49 } BL 3/23/10  
 Common Excavation Roadway 135 x 155 = 209.25 SF } RCD  
 Common Excavation Landscape 2 x 155 = 310 SF } 1/10/11  
 F.L. 78 ✓ RCD 1/25/11



x  
 1.5  
 x  
 1.5 = 1/2



SAND 70.00 SF } CB 01/10/11  
 SUBBASE 148.12 SF } BL 3/23/10  
 Common Excavation Roadway 147/144/146 = 146.66 SF = 22.66 SF } RCD  
 1/10/11

LEGEND:  
 F.G. FINISHED GRADE  
 P.G. PROFILE GRADE

## U.S. ROUTE 5 HARTFORD AVENUE

NOTES:

- 1) REFER TO ROADWAY LAYOUT AND UTILITY LAYOUT SHEETS FOR PROPOSED ABANDONMENT, REMOVAL, OR PROTECTION REQUIREMENTS OF EXISTING UTILITIES IN CONFLICT WITH PROPOSED WORK.

PROJECT NAME:	HARTFORD	PLOT DATE:	1/11/2007
PROJECT NUMBER:	RS 0113(40)	DRAWN BY:	E. ATKINS
FILE NAME:	z86c027xsl.dgn	CHECKED BY:	K. ISHIKURA
PROJECT LEADER:	KEN UPMAL	SHEET	193 OF 239
DESIGNED BY:	K. ISHIKURA		
	E. ATKINS		