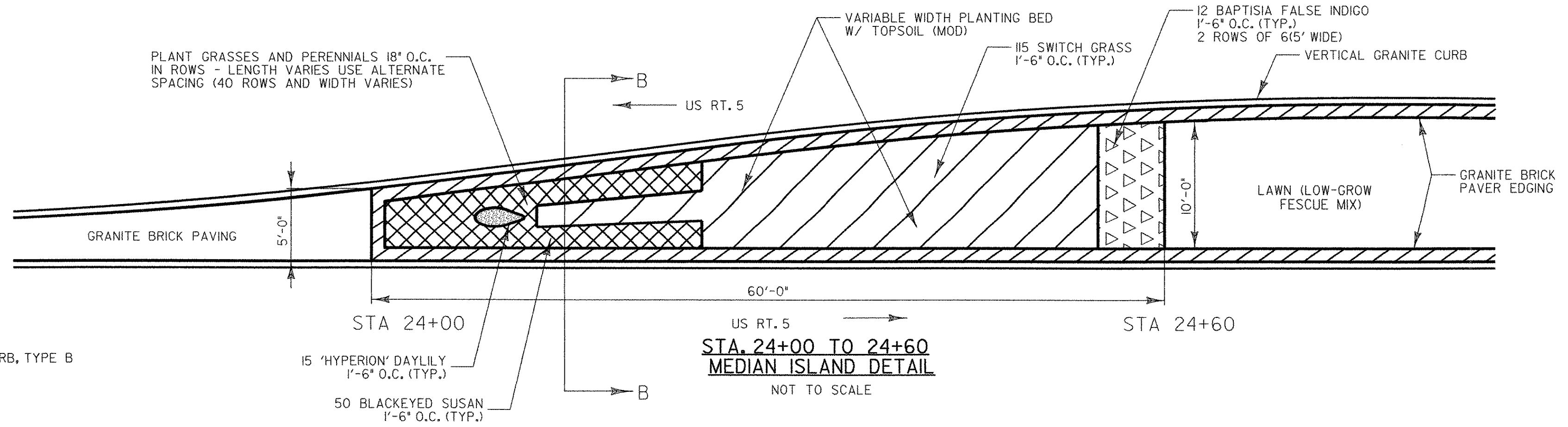
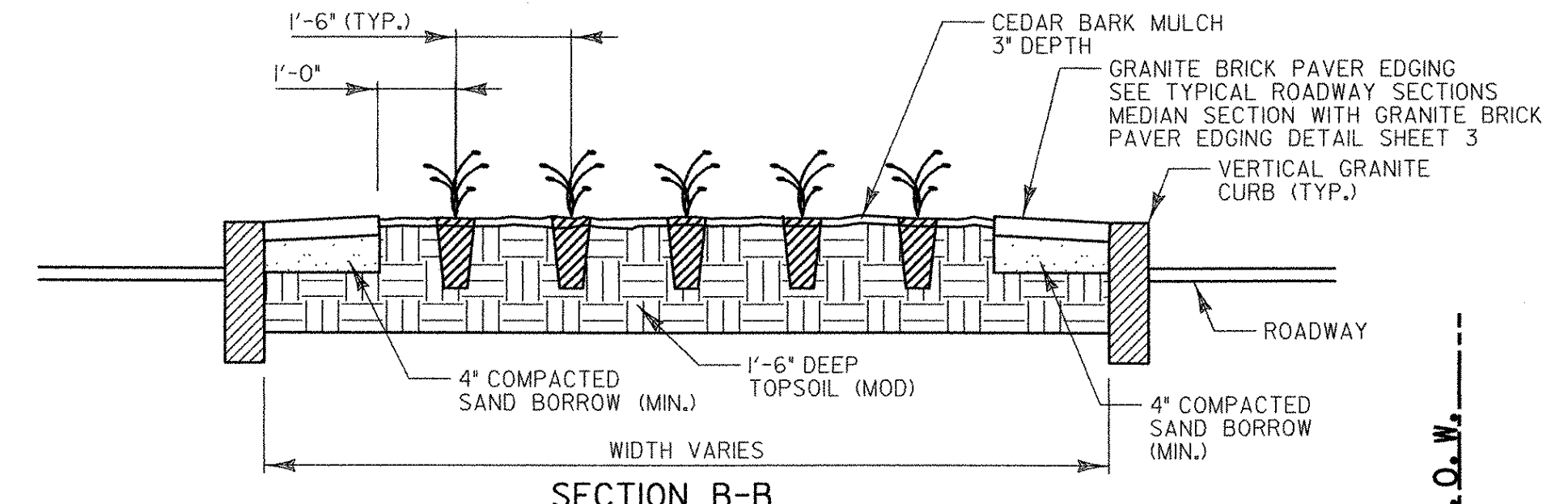


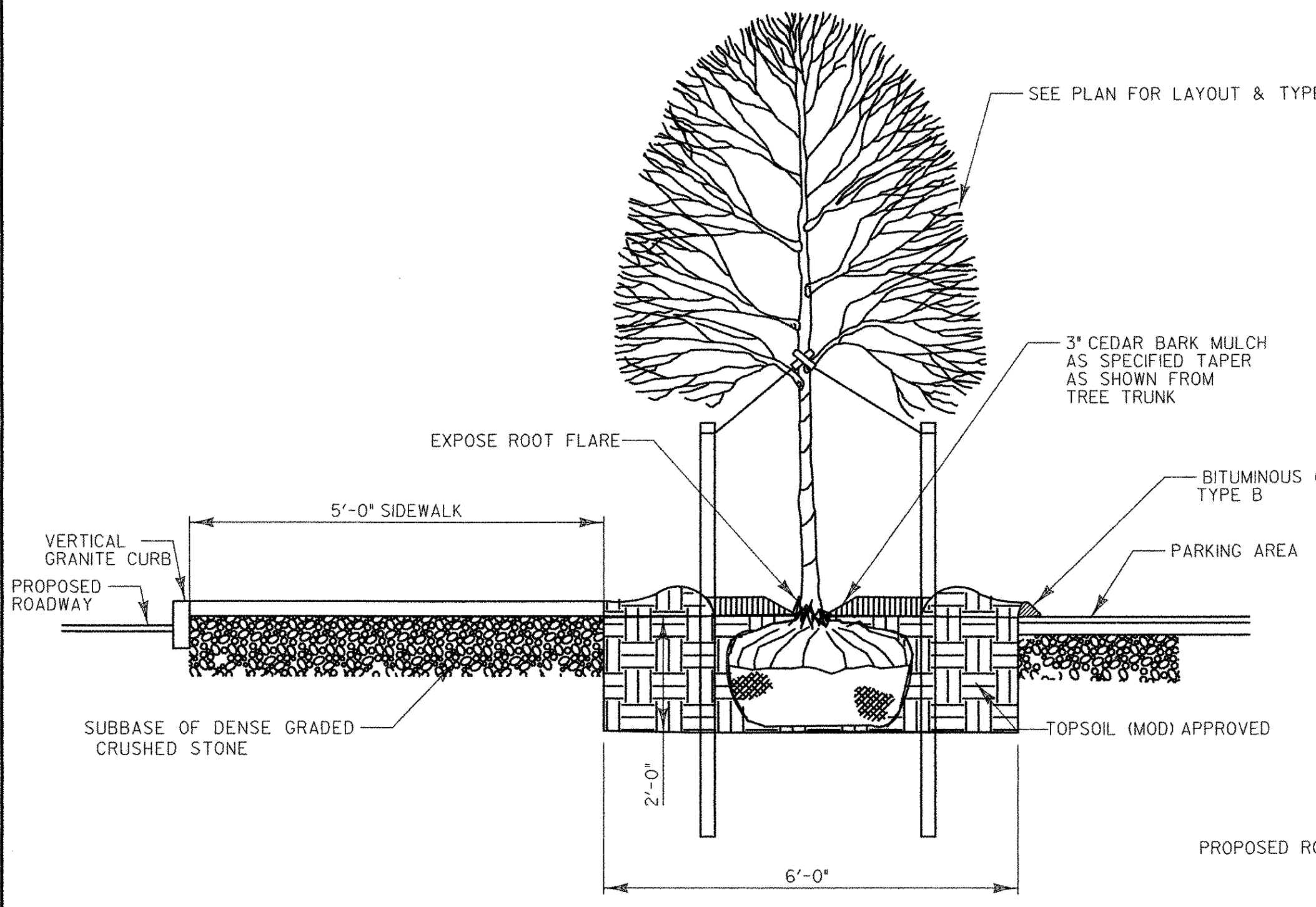
TOPSOIL BACKFILL BETWEEN SIDEWALK AND PARKING AREA STA. 22+05 TO 23+80 RT
NOT TO SCALE



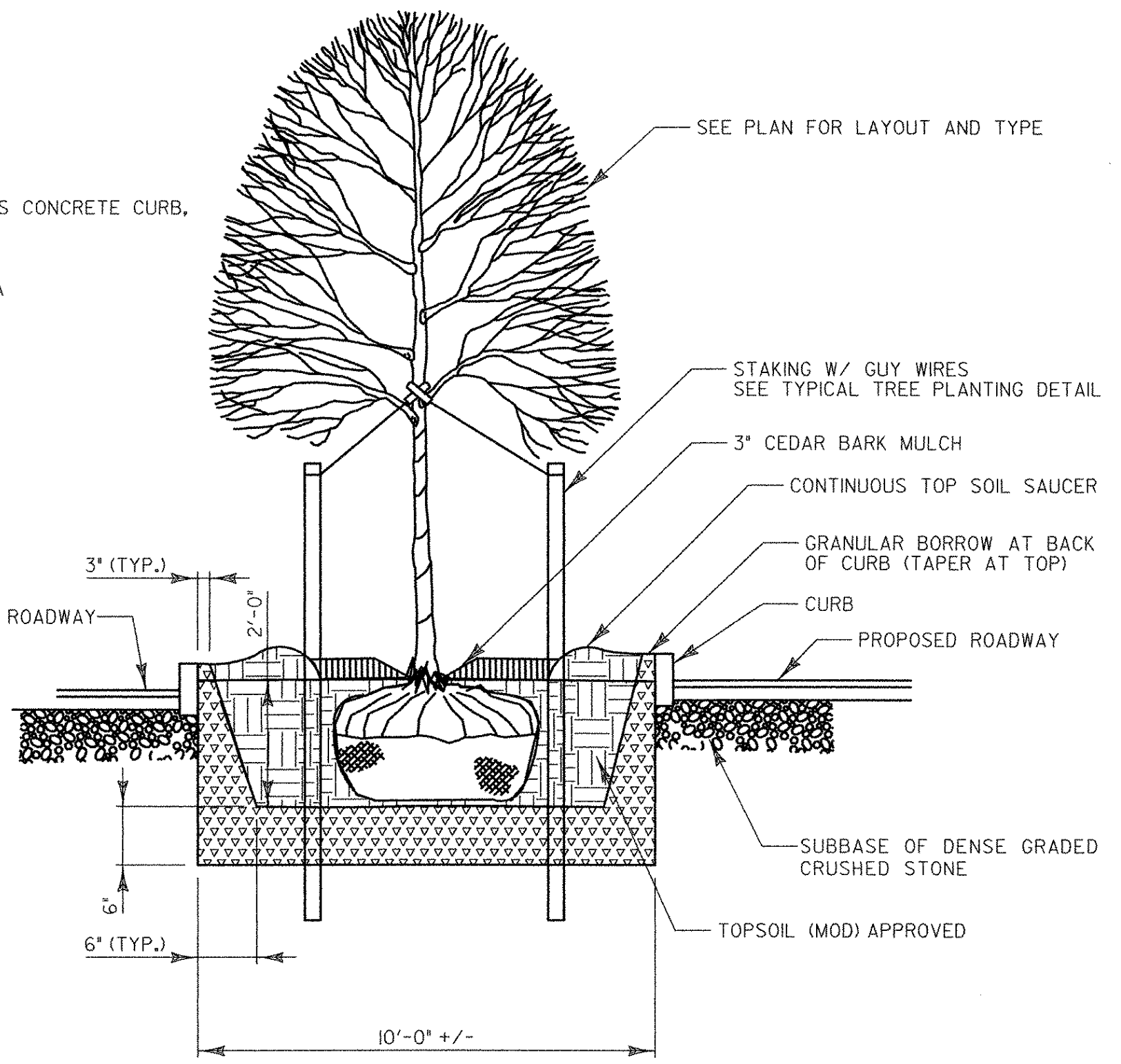
STA. 24+00 TO 24+60 MEDIAN ISLAND DETAIL
NOT TO SCALE



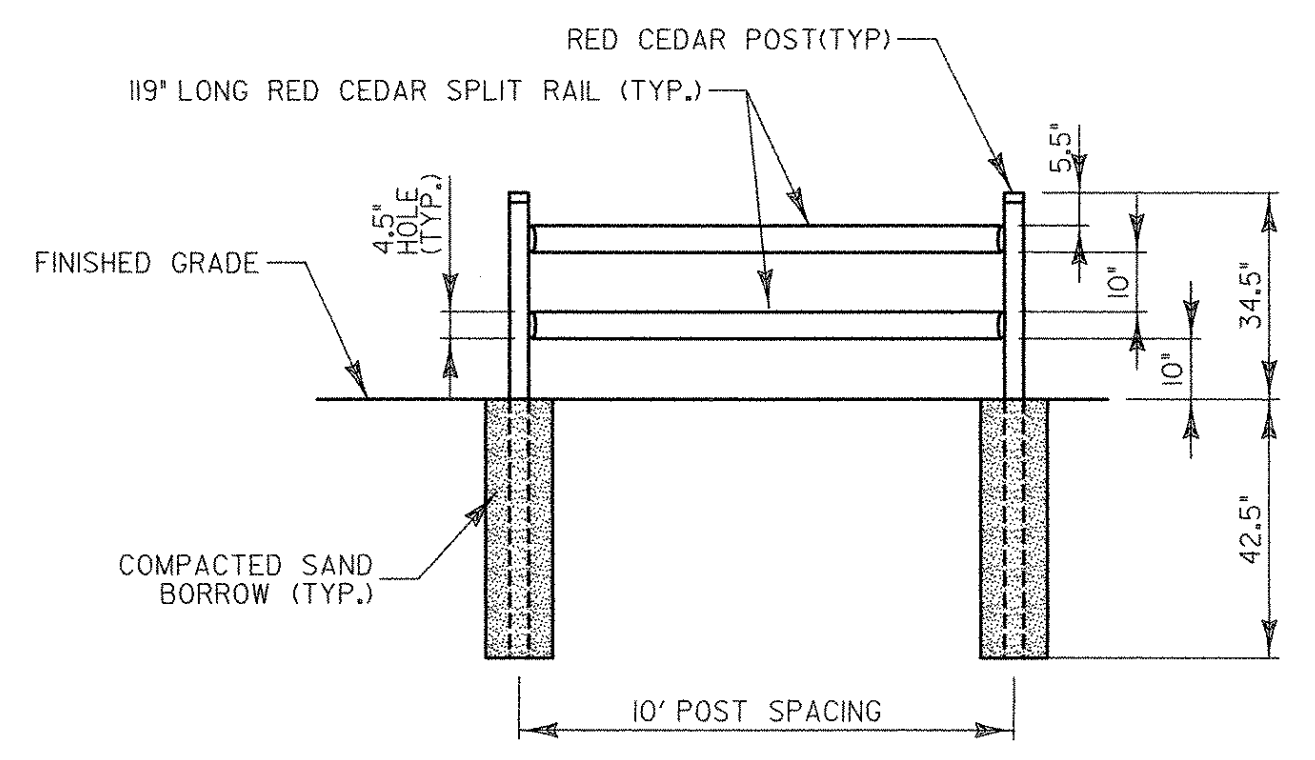
SECTION B-B
STA. 24+00 TO 24+60
TYPICAL MEDIAN ISLAND CROSS SECTION
NOT TO SCALE



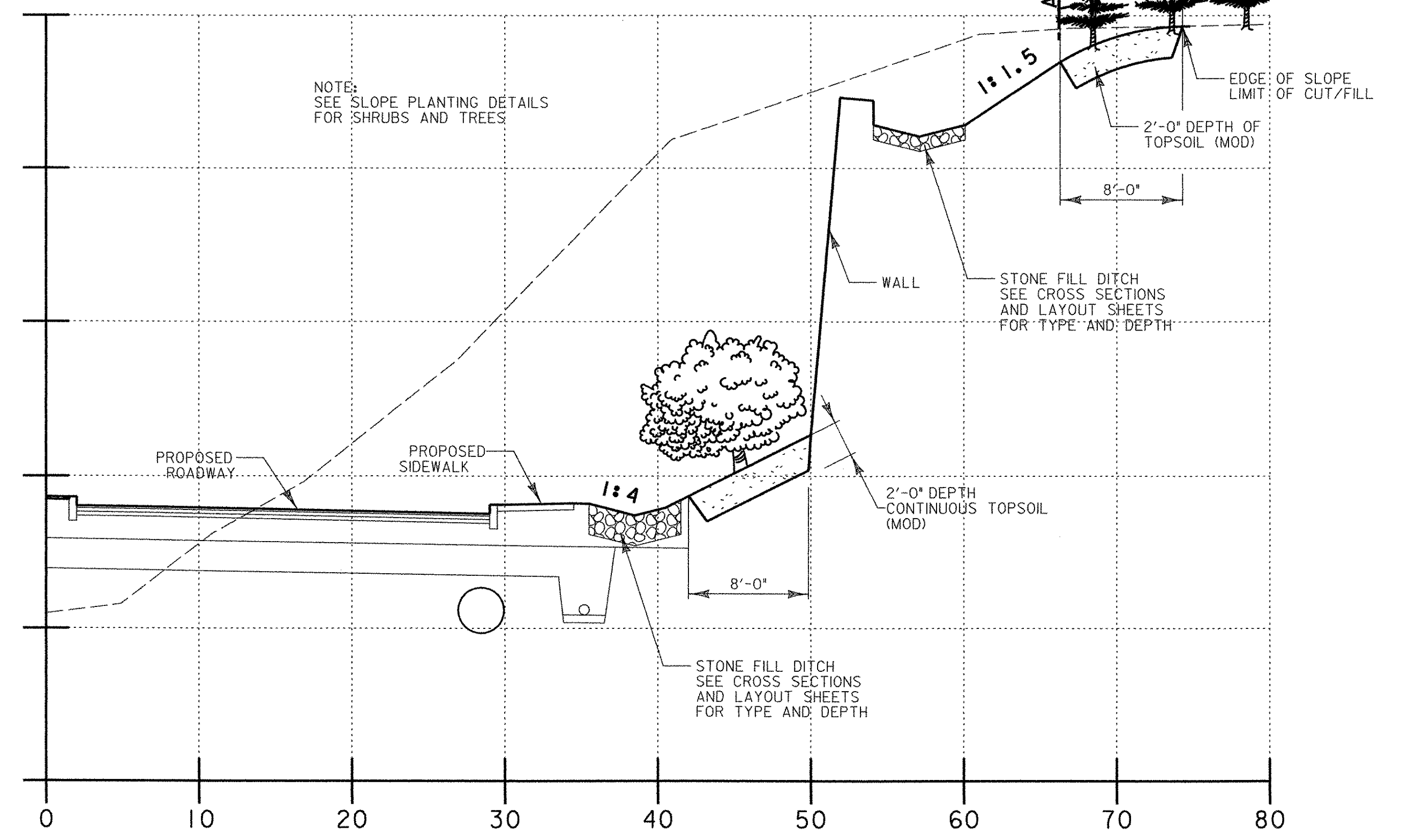
SECTION A-A
TOPSOIL BACKFILL BETWEEN SIDEWALK AND PARKING
CROSS-SECTION - STA. 22+05 TO 23+80 RT
NOT TO SCALE



TYPICAL MEDIAN ISLAND - HIGH SCHOOL ENTRANCE
NOT TO SCALE



TYPICAL WOOD POST AND RAIL FENCE DETAIL
NOT TO SCALE



CONTINUOUS BACKFILL TOPSOIL MIX
TYPICAL CROSS SECTION (STA 34+00 SHOWN)
NOT TO SCALE

PROJECT NAME:	HARTFORD
PROJECT NUMBER:	RS 0113(40)
FILE NAME:	z86c027landdet.dgn
PROJECT LEADER:	KEN UPMAL
DESIGNED BY:	JANE BROWN
PLOT DATE:	2/27/2007
DRAWN BY:	E. ATKINS
CHECKED BY:	K. ISHIKURA
SHEET	180 OF 239