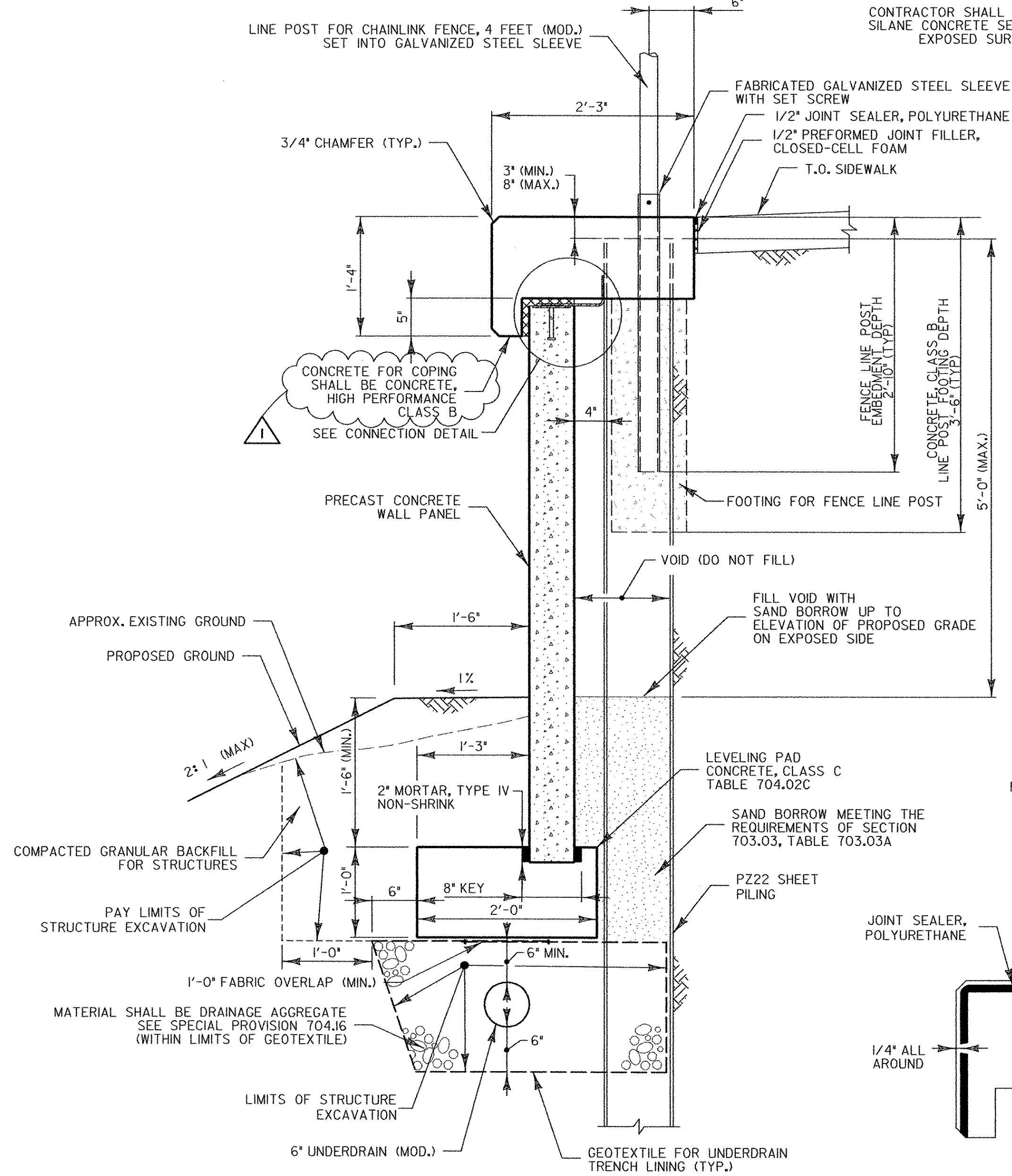
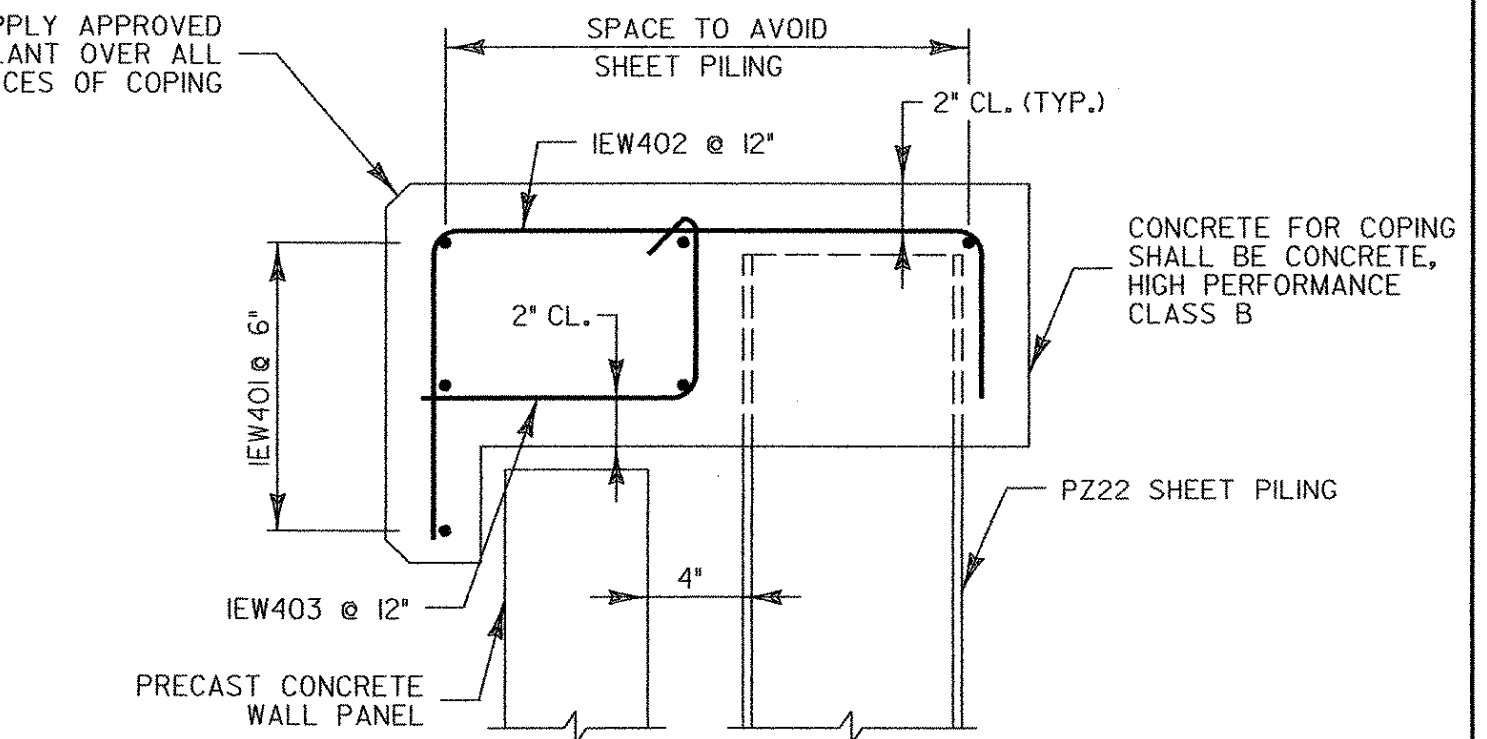


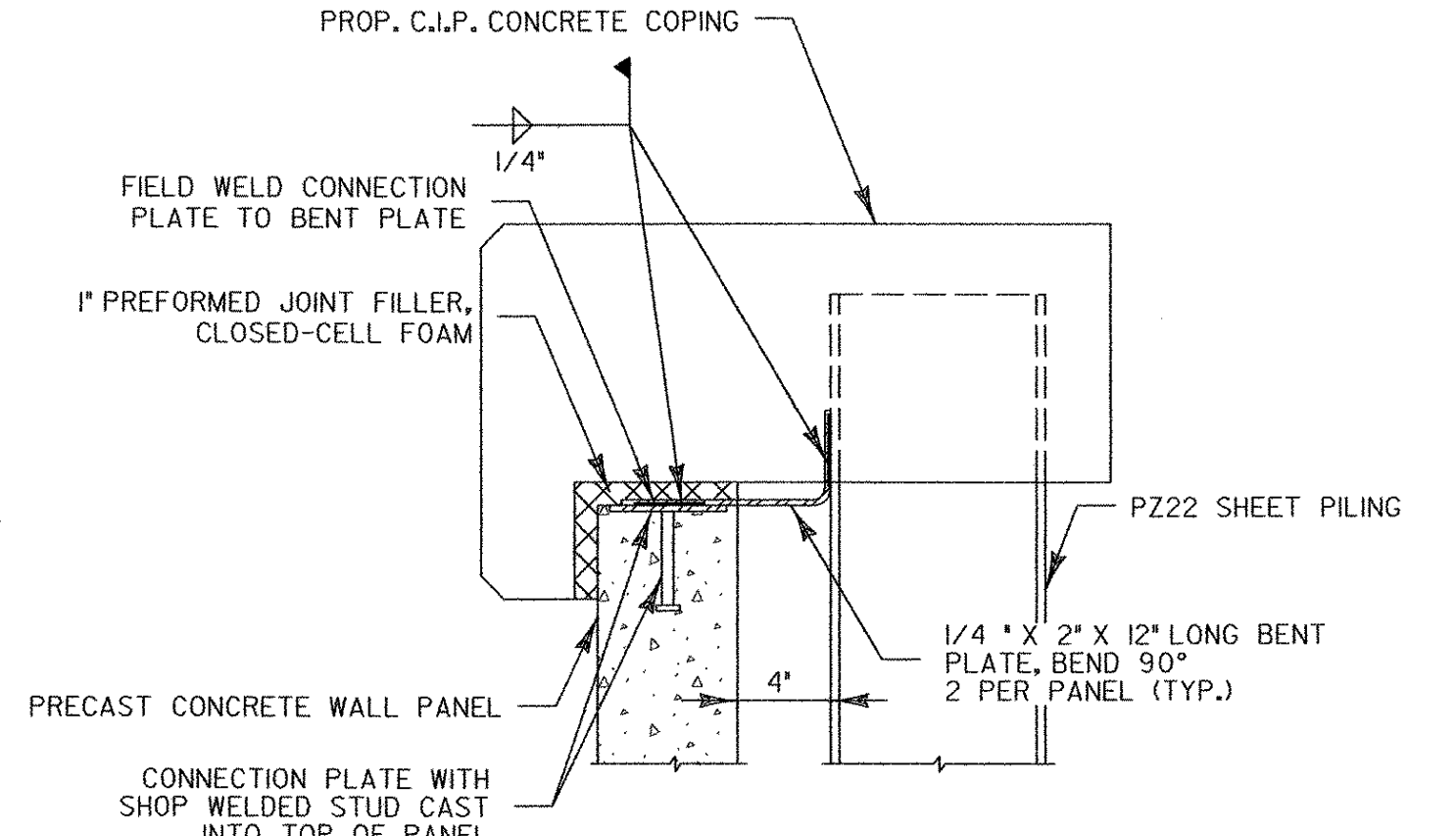
TYPICAL ELEVATION
SCALE: 3/4" = 1'



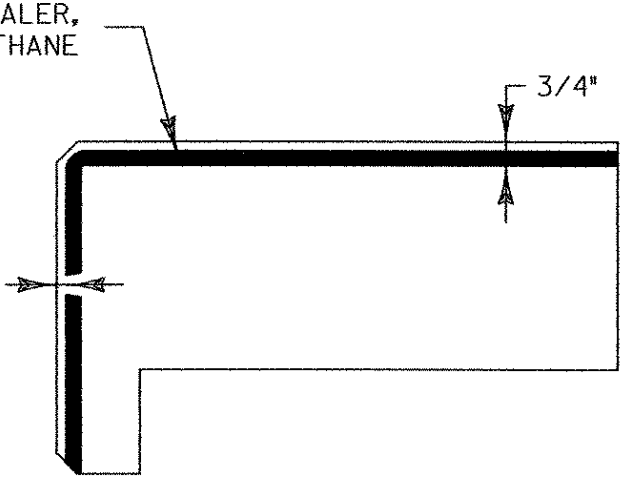
SECTION A-A
SCALE: 1" = 1'



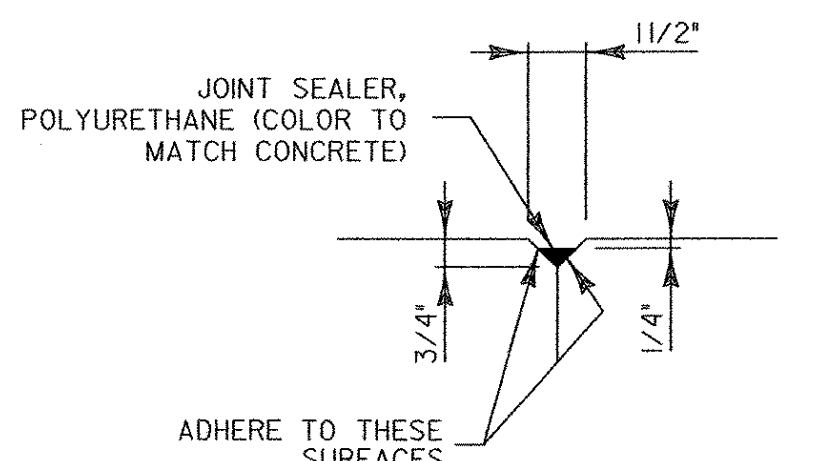
COPING REINFORCING DETAIL
SCALE: 1 1/2" = 1'



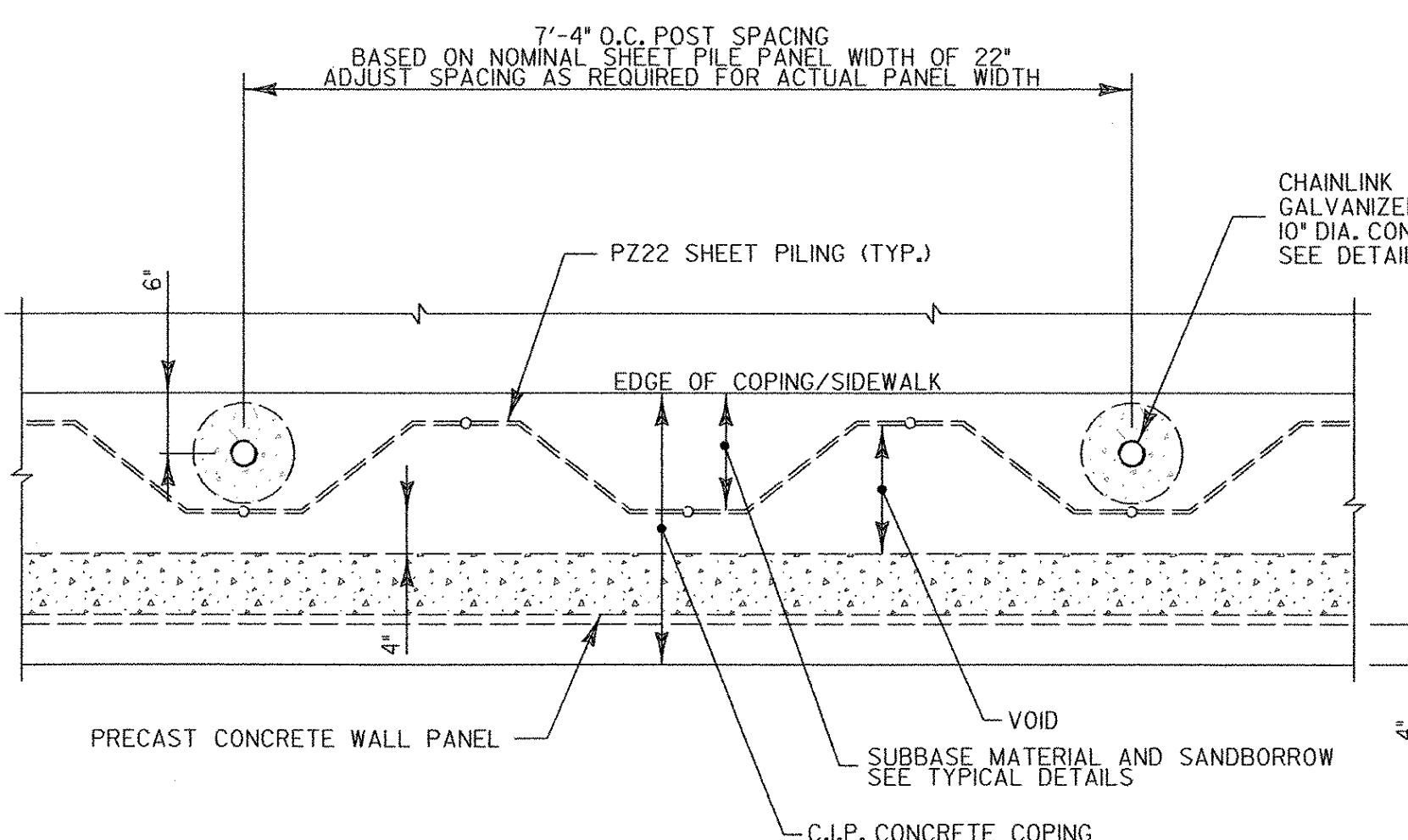
CONNECTION DETAIL
SCALE: 1 1/2" = 1'



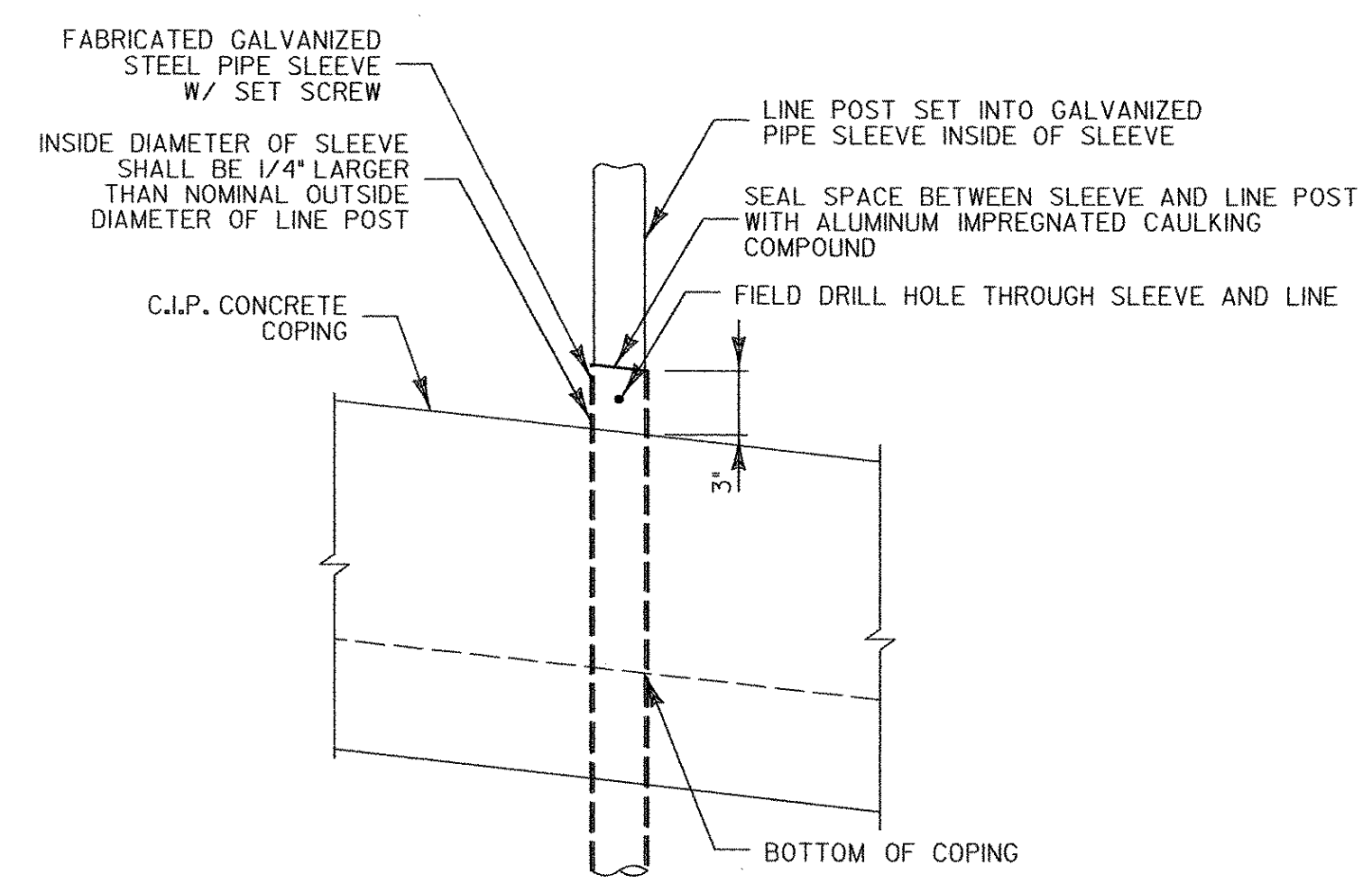
TYPICAL CONSTRUCTION JOINT DETAIL
N.T.S.



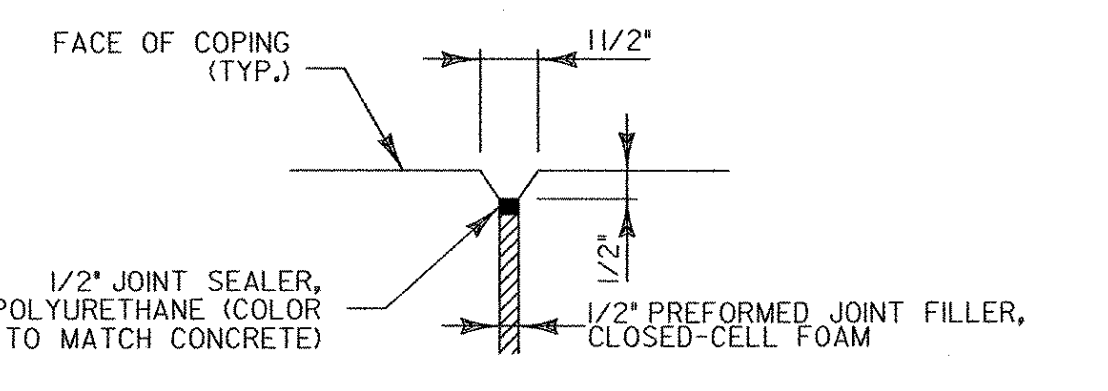
CONSTRUCTION JOINT SEAL DETAIL
N.T.S.



TYPICAL TOP OF COPING PLAN
SCALE: 3/4" = 1'



GALVANIZED SLEEVE DETAIL
N.T.S.



TYPICAL EXPANSION JOINT DETAIL
N.T.S.

BARNES AVENUE SHEET PILE RETAINING WALL SHEET 2

PROJECT NAME:	HARTFORD	PLOT DATE:	4/18/2007
PROJECT NUMBER:	RS 0113(40)	DRAWN BY:	W.WONG
FILE NAME:	z86c027walldet.dgn	CHECKED BY:	K. ISHIKURA
PROJECT LEADER:	KEN UPMAL	SHEET	147 OF 239
DESIGNED BY:	K. ISHIKURA		
	C. MATTHEWS		

ADDENDUM #1: REVISED APRIL 18, 2007