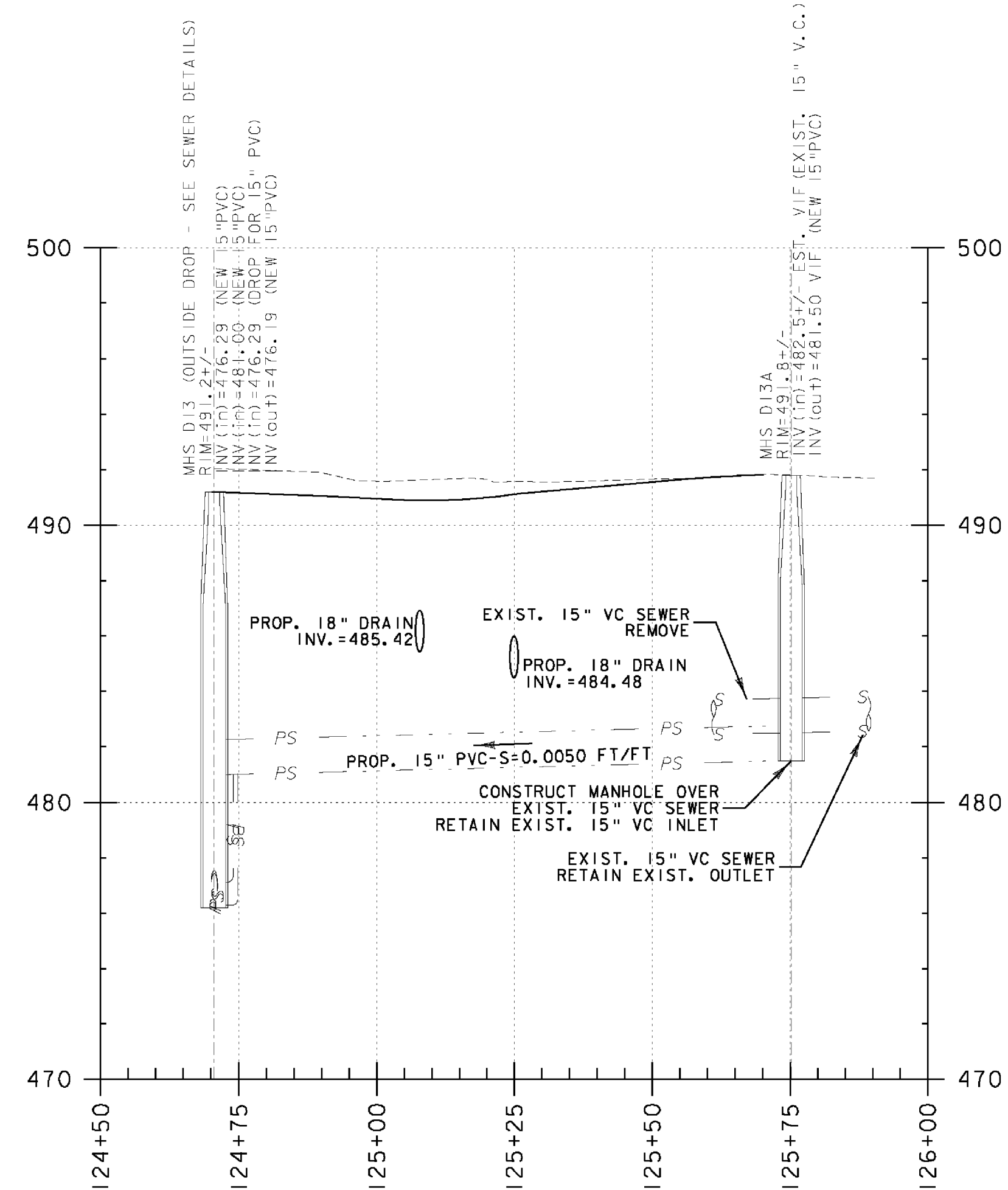
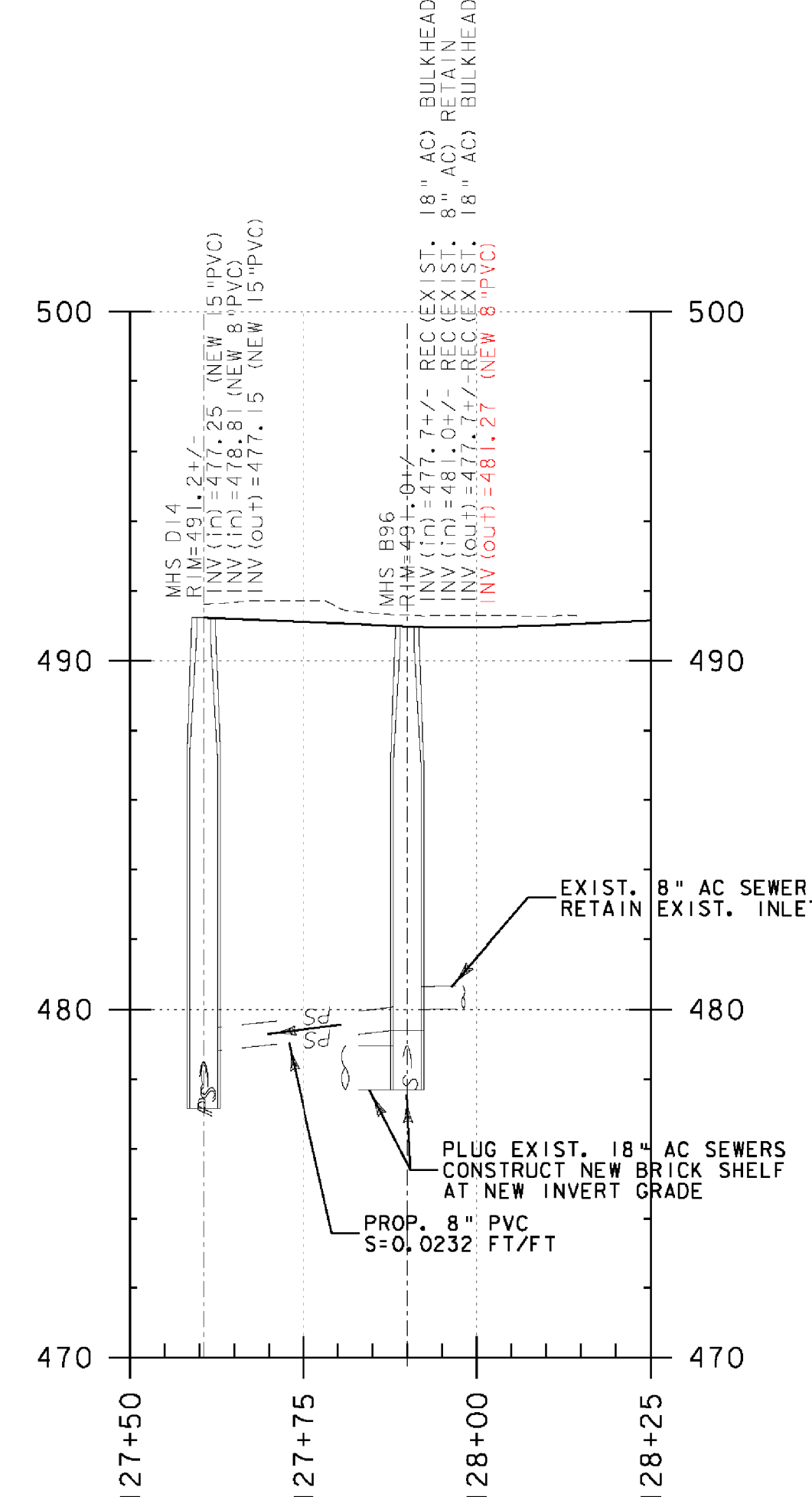


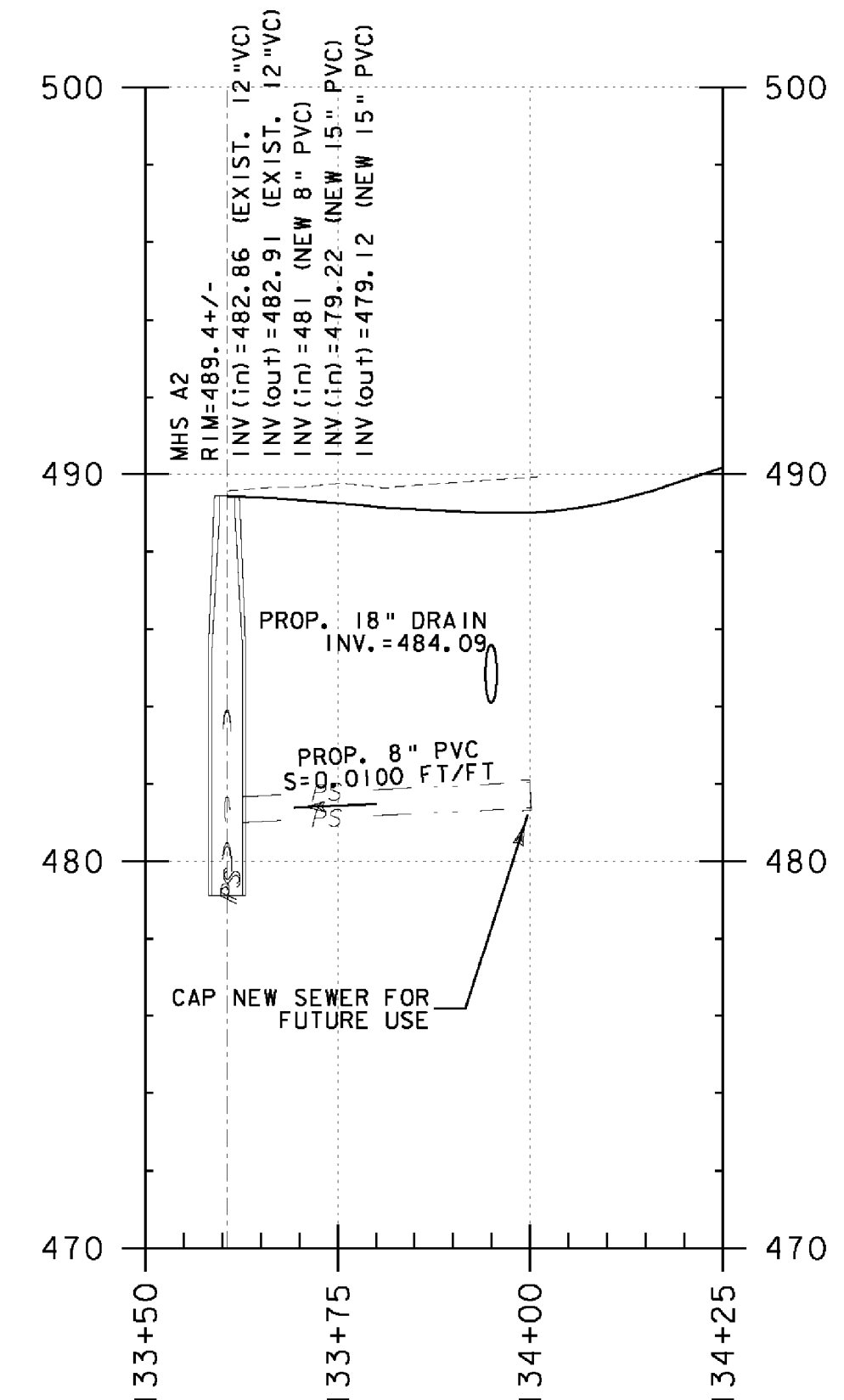
**MHS D11 TO MHS A6A
SAUNDERS AVENUE**



**MHS D13 TO MHS D13A
PIERCE STREET**



**MHS D14 TO MHS B96
GOUDREAU STREET**



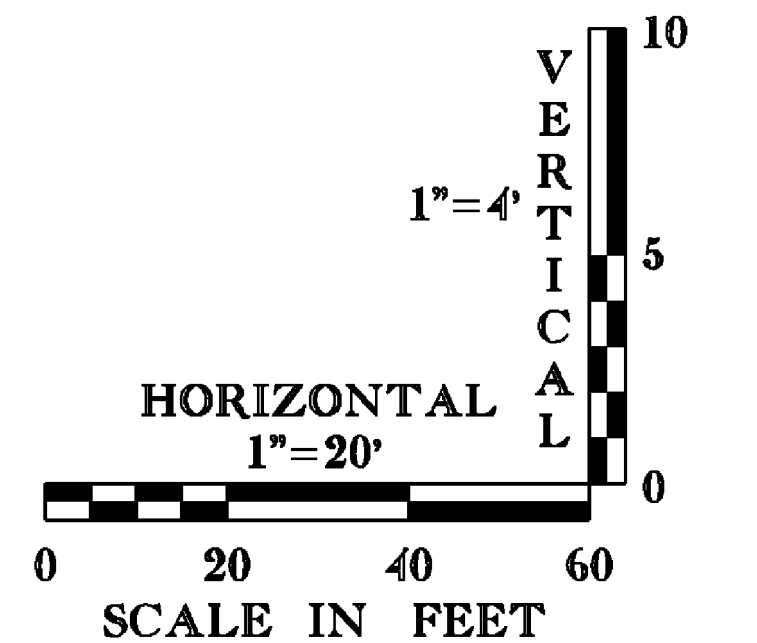
**MHS A2 TO PLUG
ADVENT LANE**

SIDE STREET SEWER PROFILES

DATUM	
VERTICAL	NGVD 1929
HORIZONTAL	N/A

NOTES:

- ALL RIM ELEVATIONS GIVEN ARE APPROXIMATE AND SHALL BE FIELD ADJUSTED TO MATCH FINAL GRADES.
- EXISTING INVERTS ARE BASED ON THE BEST AVAILABLE INFORMATION OF RECORD OR TOPOGRAPHIC SURVEY AND SHALL BE FIELD VERIFIED WHERE PROPOSED INVERTS WOULD BE AFFECTED.



PROJECT: HARTFORD	PROJECT NO. : RS 0113(40)
DESIGN FILE NAME: z86c027sew_prof.DGN	PLOT DATE: 4/13/2012
IPARM FILE NAME:	SURVEY DATE: 1/87
SURVEYED BY: FANTONI	DRAWN BY: E. ATKINS
SQUAD LEADER: KEN UPMAL	SHEET: 118 OF 239