

# TYPICAL SECTIONS US ROUTE 5

MATERIAL ITEM	THICKNESS TOLERANCE
PAVEMENT (TOTAL DEPTH ALL LAYERS)	+/- 1/4"
SUBBASE	+/- 1"
GRANULAR BORROW	+/- 1"
SAND BORROW	+/- 1"

1 3/4" BITUMINOUS CONCRETE PAVEMENT IN ONE LIFT (TYPE IIIS PG58-34)  
 2 3/4" BITUMINOUS CONCRETE PAVEMENT IN ONE LIFT (TYPE IIS PG58-34)  
 3" BITUMINOUS CONCRETE PAVEMENT IN ONE LIFT (TYPE IS PG58-34)  
 24" SUBBASE OF DENSE GRADED CRUSHED STONE  
 12" SAND BORROW (STA. 21+45 - 38+50)

## SEEDING FORMULA LOW GROW / FINE FESCUE SEEDING MIX

% WT.	LBS./A.	NAME	PUR %	GERM %
38.0	45.6	CREEPING RED FESCUE	98	85
29.0	34.8	SPARTEN HARD FESCUE	95	90
15.0	18.0	AZAY SHEEPS FESCUE	85	90
15.0	18.0	ANNUAL RYE GRASS	95	85
3.0	3.6	INERTS		
100.00	120.0			

### GENERAL NOTES

SEED MIXTURE: SHALL BE APPLIED AT A RATE OF 120 LB/ACRE AND SHALL NOT HAVE A WEED CONTENT EXCEEDING 0.40% BY WEIGHT AND SHALL BE FREE OF ALL NOXIOUS SEED.

SEED: PERCENT OF SEED, CROP, WEED OR INERT MAY VARY +/- 2%. VARIETIES OF GRASSES MAY BE SUBSTITUTED ONLY WITH APPROVAL FROM RESIDENT ENGINEER.

FERTILIZER: FORMULA 10-20-10, TO BE USED WITH SEED, APPLIED AT THE RATE OF 500 LBS./ACRE. (HYDRO SEEDERS MAY USE 19-19-19 FORMULA).

AGRICULTURAL LIMESTONE: TO BE APPLIED AT THE RATE OF 2 TONS/ACRE, OR AS DIRECTED BY THE ENGINEER.

HAY MULCH: TO BE PLACED ON EARTH SLOPES AT THE RATE OF 2 TONS/ACRE, OR AS DIRECTED BY THE ENGINEER.

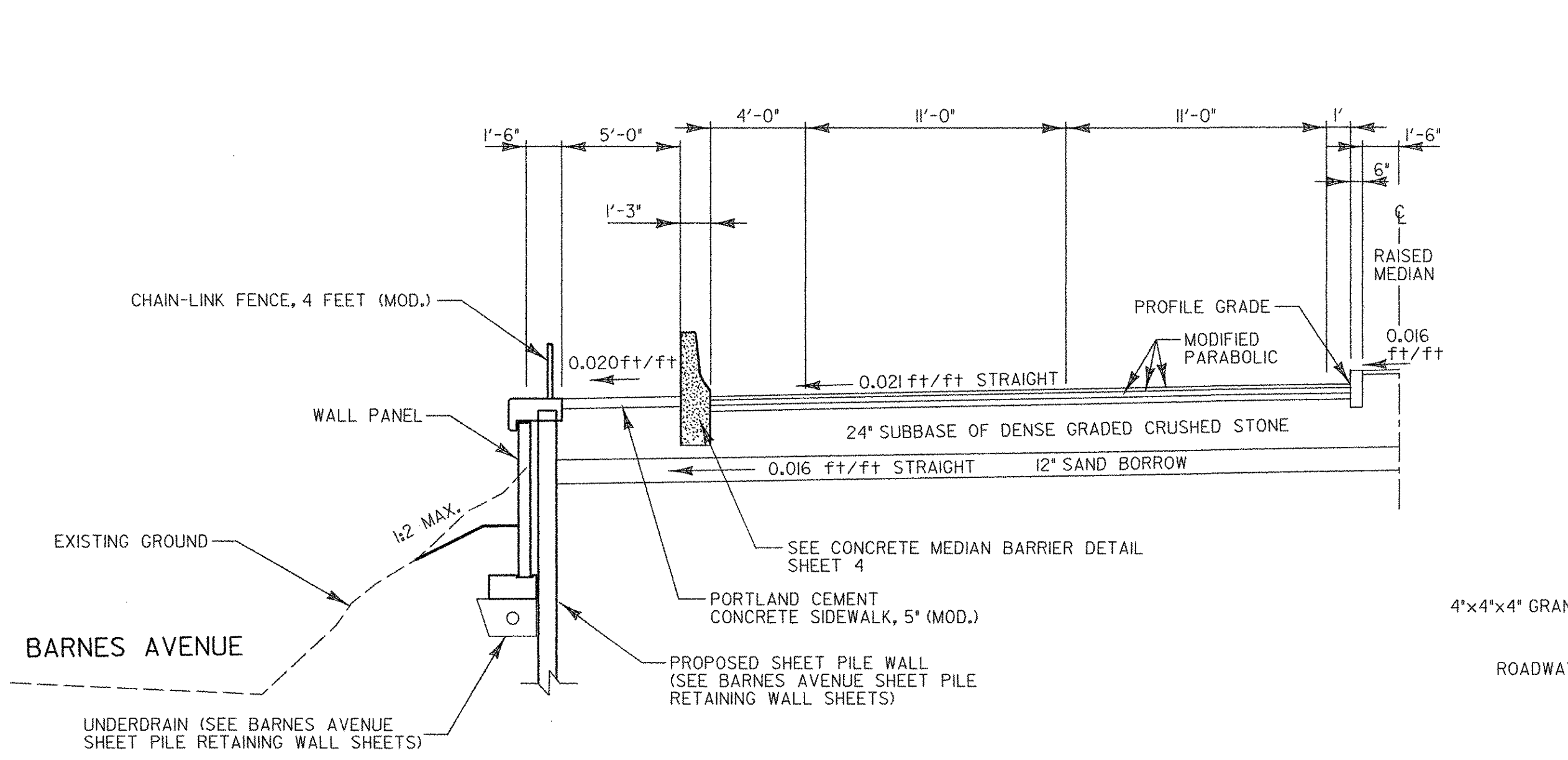
MOWING: RECOMMENDED EARLY MOWING ONCE OR TWICE WHEN GRASS REACHES 6" HEIGHT MAXIMUM TO PREVENT BROADLEAF WEED COMPETITION DURING ESTABLISHMENT PERIOD.

TOPSOIL: TO BE USED WITH SEED AS INDICATED ON THE PLANS, OR AS DIRECTED BY THE ENGINEER.

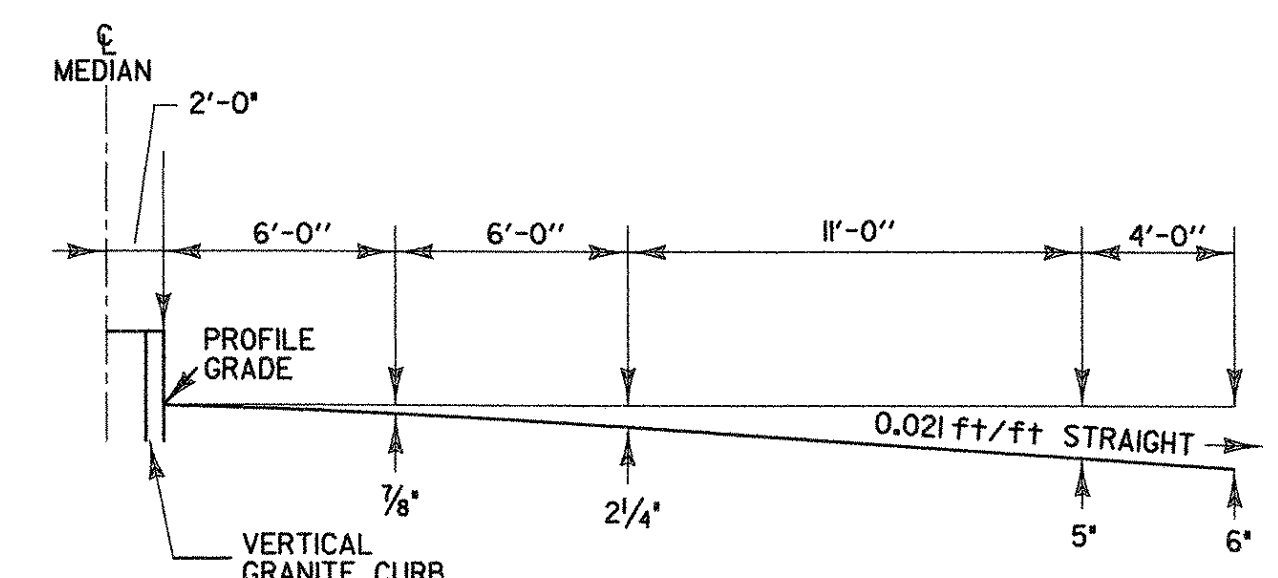
MARKER POSTS: TO BE PLACED AS INDICATED OR AS DIRECTED BY THE ENGINEER.

SLOPE ROUNDING: ALL CUT SLOPES TO BE ROUNDED IN ACCORDANCE WITH STANDARD SHEET B - 5.

TACK COAT: EMULSIFIED ASPHALT IS TO BE APPLIED AT THE RATE OF 0.015 GAL/SY BETWEEN SUCCESSIVE COURSES OF PAVEMENT AS DIRECTED BY THE ENGINEER.

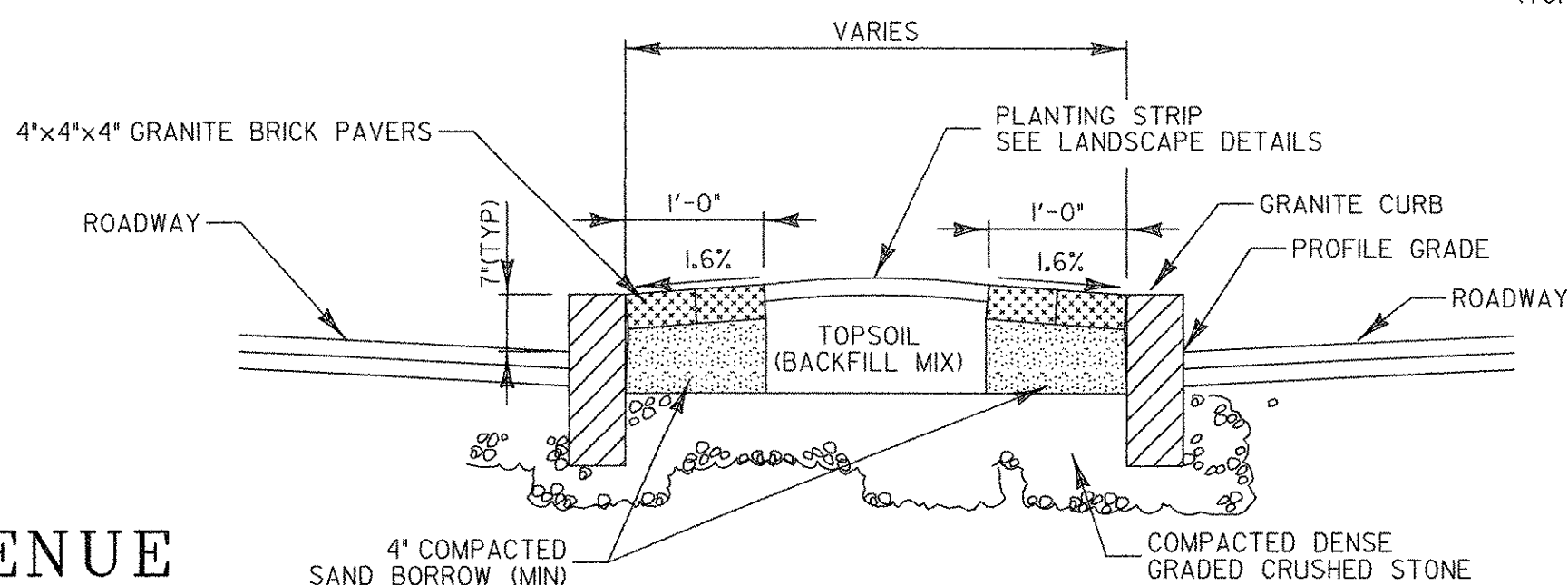


NORMAL SECTION WITH RAISED MEDIAN AND SHEET PILE RETAINING WALL ALONG BARNES AVENUE

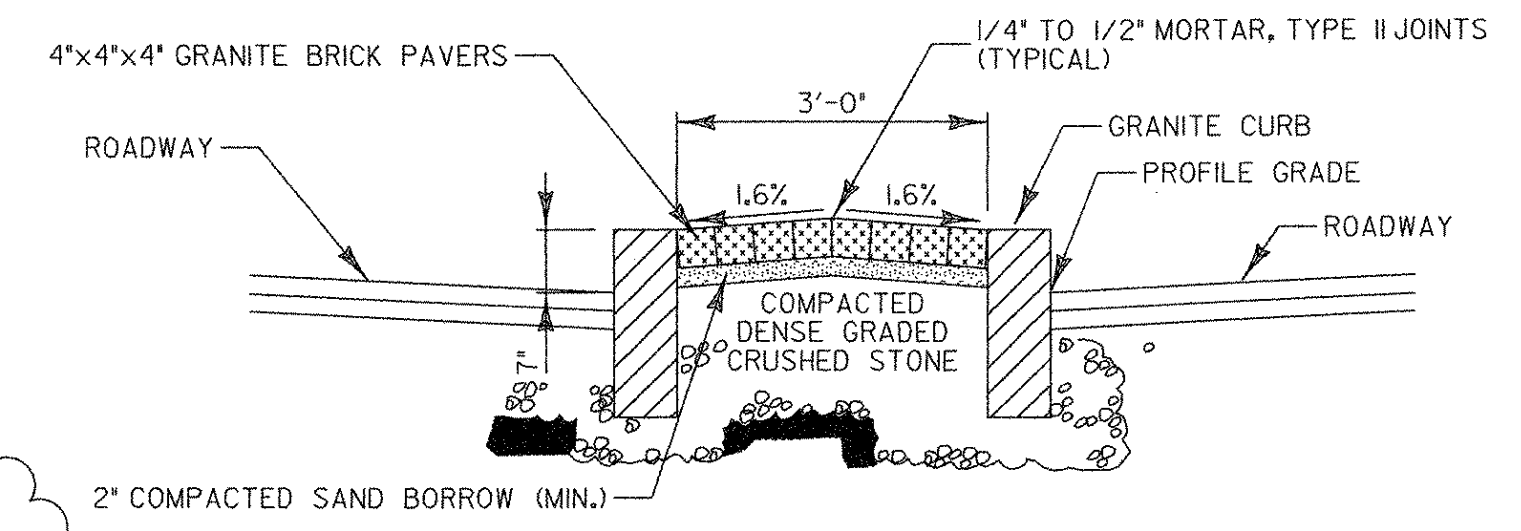


MODIFIED PARABOLIC DETAIL (WITH MEDIAN)  
(NOT TO SCALE)

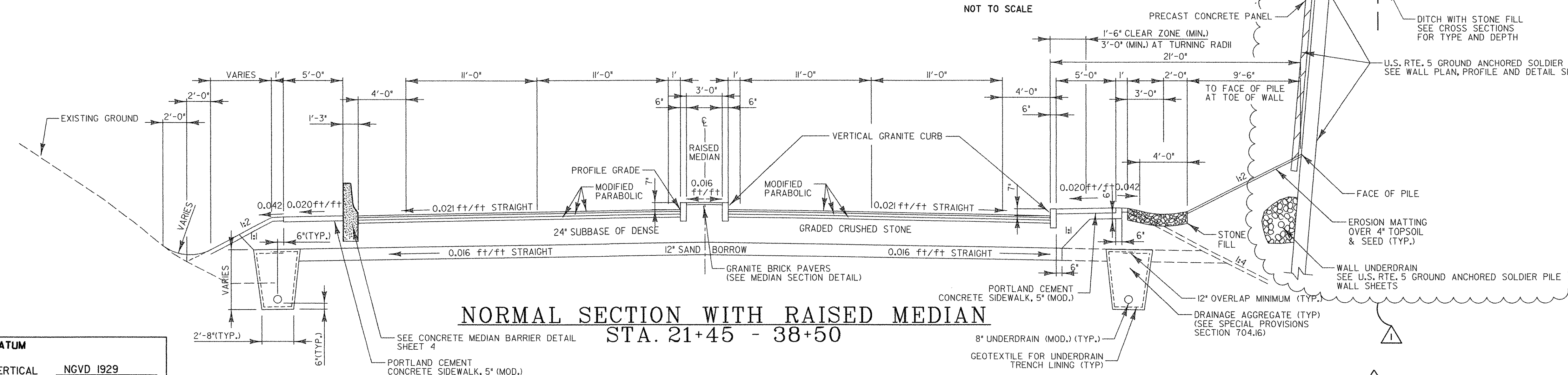
NOTE: FINISHED GRADE ON CROSS SECTIONS INDICATES PROPOSED CENTERLINE ELEVATION (TOP OF MEDIAN WHERE APPLICABLE)



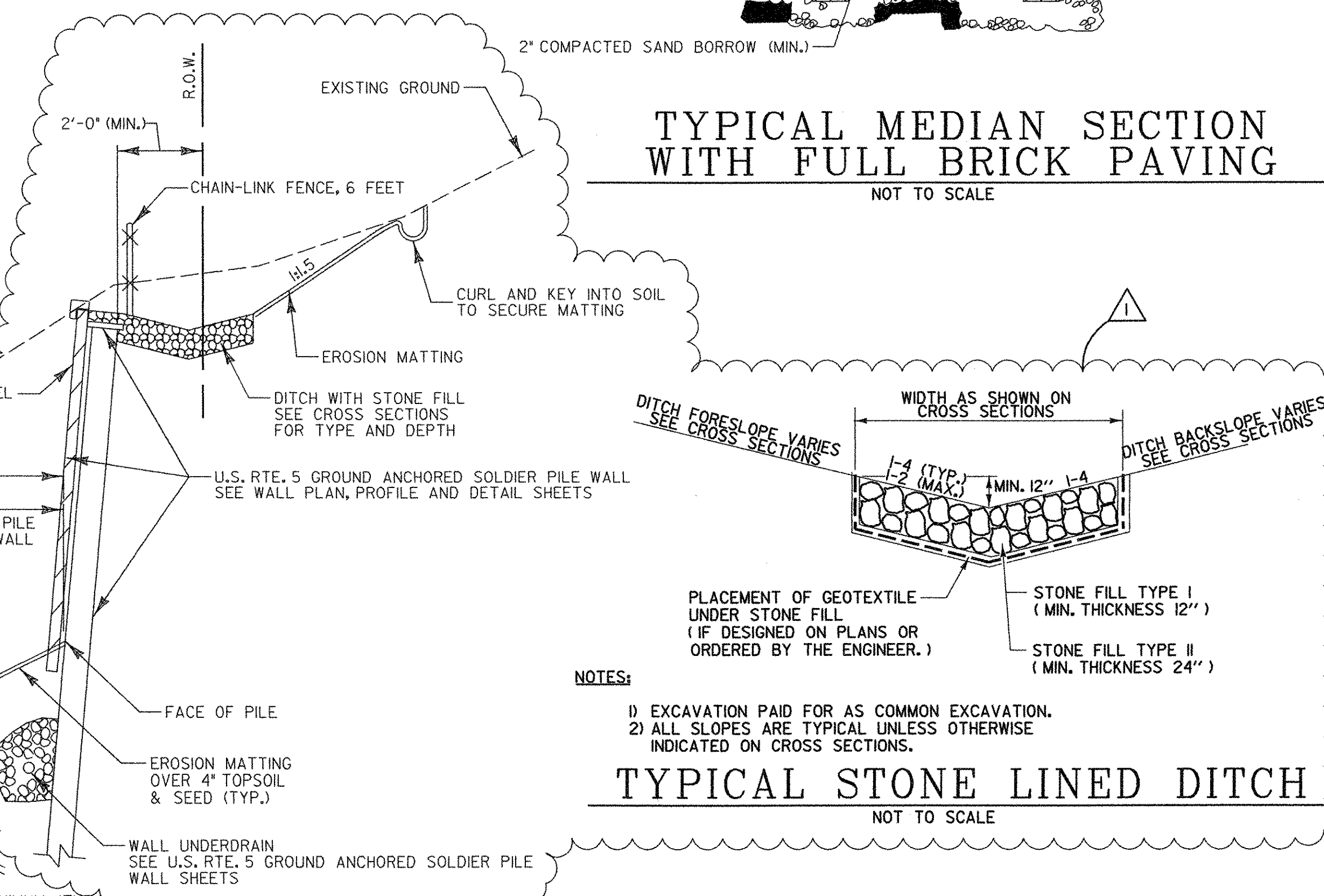
TYPICAL MEDIAN SECTION WITH BRICK PAVING EDGING  
NOT TO SCALE



TYPICAL MEDIAN SECTION WITH FULL BRICK PAVING  
NOT TO SCALE



NORMAL SECTION WITH RAISED MEDIAN  
STA. 21+45 - 38+50



TYPICAL STONE LINED DITCH  
NOT TO SCALE

NOTES:  
 1) EXCAVATION PAID FOR AS COMMON EXCAVATION.  
 2) ALL SLOPES ARE TYPICAL UNLESS OTHERWISE INDICATED ON CROSS SECTIONS.

DATUM

VERTICAL	NGVD 1929
HORIZONTAL	N/A

ADDENDUM #1: REVISED APRIL 18, 2007

PROJECT: HARTFORD	PROJECT NO.: RS 0113(40)
DESIGN FILE NAME: z86c027ypdet.DGN	PLOT DATE: 4/18/2007
IPARM FILE NAME:	SURVEY DATE: 1/87
SURVEYED BY: FANTONI	DRAWN BY: E. ATKINS
SQUAD LEADER: KEN UPMAL	SHEET: 3 OF 239