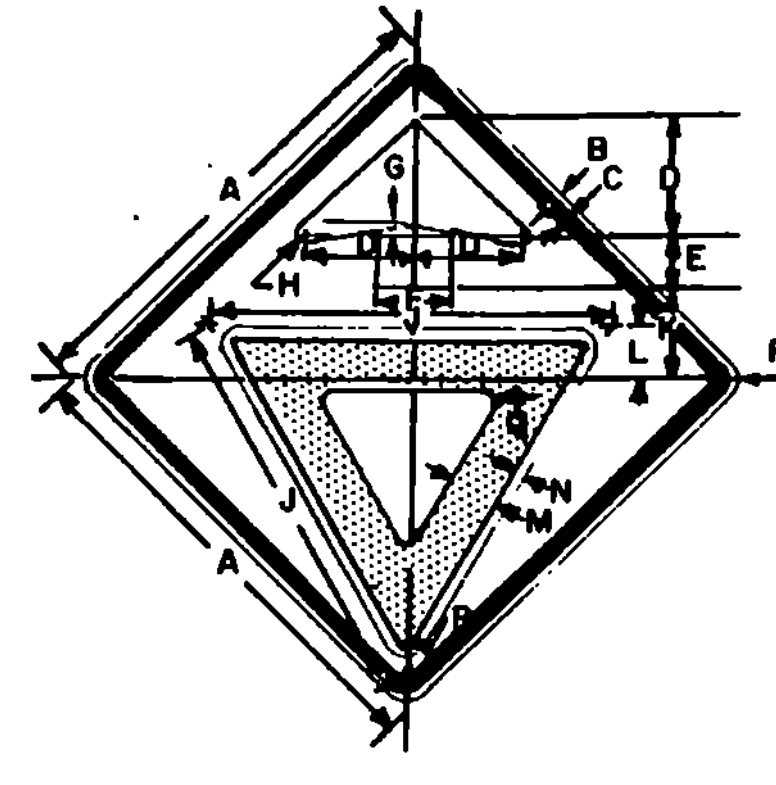


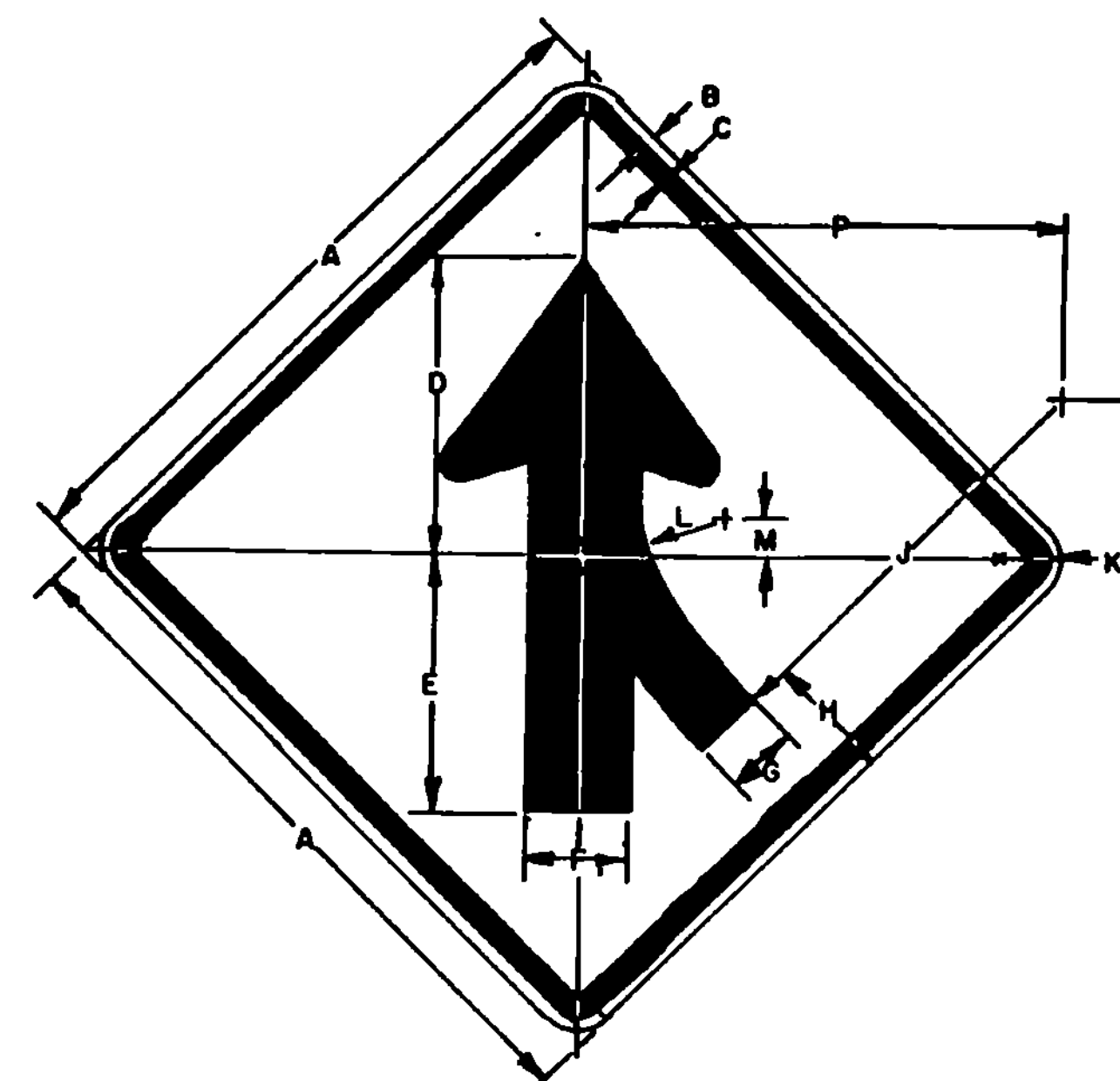
COLORS  
 BORDER AND ARROW - BLACK (NON-REFL)  
 SYMBOL - WHITE BORDER ON RED BACKGROUND (REFL)  
 BACKGROUND - YELLOW (REFL)

SIGN	DIMENSIONS (INCHES)													
	A	B	C	D	E	F	G	H	J	K	L	M	N	
MIN.	30	1/2	3/4	7-1/2	3-3/4	5	5/8	5/16	2-3/4	6-1/4	2-7/8	1/2	1-7/8	
STD.	36	5/8	7/8	9	4-1/2	6	3/4	3/8	19	7-1/2	3-1/8	5/8	2-1/4	
SPECIAL	48	3/4	1-1/4	12	6	8	1	1/2	25-1/8	10	4-1/2	3/4	3	



COLORS  
 BORDER AND ARROW - BLACK (NON-REFL)  
 SYMBOL - RED BORDER ON WHITE BACKGROUND (REFL)  
 BACKGROUND - YELLOW (REFL)

SIGN	DIMENSIONS (INCHES)															
	A	B	C	D	E	F	G	H	J	K	L	M	N	P	Q	R
MIN.	30	1/2	3/4	7-1/2	3-3/4	5	5/8	5/16	25	6-1/4	3	3-3/8	1/2	1-1/4	5/8	1-7/8
STD.	36	5/8	7/8	9	4-1/2	6	3/4	3/8	28	7-1/2	3-3/8	3-3/4	5/8	1-3/8	3/4	2-1/4
SPECIAL	48	3/4	1-1/4	12	6	8	1	1/2	38	10	4-1/2	5	3/4	1-7/8	1	3



COLORS  
 LEGEND - BLACK (NON-REFL)  
 BACKGROUND - YELLOW (REFL)

SIGN	DIMENSIONS (INCHES)													
	A	B	C	D	E	F	G	H	J	K	L	M	N	P
MIN.	24	3/8	5/8	10-1/4	8-3/4	3-1/2	2-3/8	4-3/16	22-1/4	1-1/2	6-3/8	2-5/8	10-3/8	22-3/16
STD.	30	1/2	3/4	13	11	4-3/8	3	5-1/4	28	1-7/8	8	3	13	27-3/4
EXPWY.	36	5/8	7/8	15-3/4	13-1/4	5-1/4	3-5/8	6-5/16	33-3/8	2-1/4	9-5/8	4	15-5/8	33-5/16
FWY.	48	3/4	1-1/4	20-1/2	17-1/2	7	4-3/4	8-3/8	45	3	12-13/16	5-1/4	20-3/4	44-3/8

COLORS

THE WARNING SIGNS SHOWN ON THIS SHEET SHALL BE AS DETAILED FOR EACH SIGN. THE COLORS SHALL CONFORM WITH THE COLORS ADOPTED BY THE AMERICAN ASSOCIATION OF STATE HIGHWAY AND TRANSPORTATION OFFICIALS APPROVED BY THE DEPARTMENT OF TRANSPORTATION, FEDERAL HIGHWAY ADMINISTRATION.

MATERIALS

THE SIGN BASE MATERIALS USED FOR THE WARNING SIGNS SHOWN ON THIS SHEET MAY BE ANY OF THE FOLLOWING OF THE MINIMUM THICKNESS NOTED.

	24" x 24"				36" x 36"	48" x 48"
	12" x 18"	18" x 24"	24" x 30"	30" x 36"		
FLAT SHEET ALUMINUM	0.060"	0.080"	0.100"	0.125"	0.125"	0.125"
HIGH DENSITY OVERLAID PLYWOOD	1/2"	1/2"	5/8"	5/8"	5/8"	5/8"
GALVANIZED FLAT SHEET STEEL	18 GAGE	16 GAGE	14 GAGE	12 GAGE	12 GAGE	12 GAGE

THE REFLECTIVE MATERIAL SHALL BE REFLECTIVE SHEETING APPLIED TO THE ENTIRE BACKGROUND OF THE SIGN.

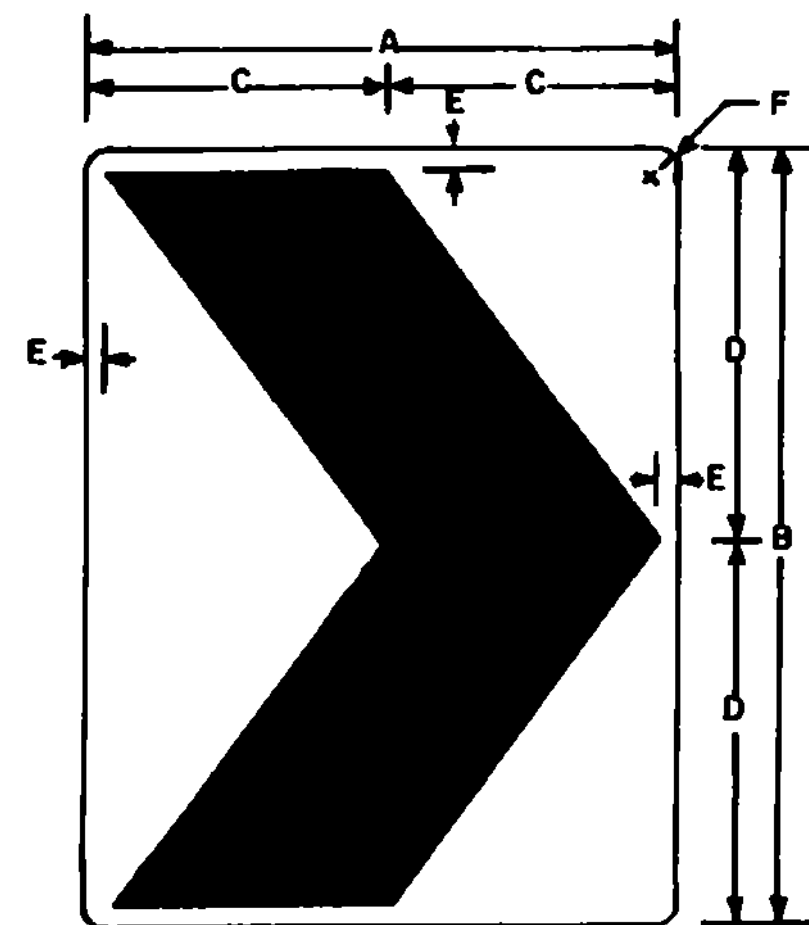
THE BLACK PORTIONS OF THE SIGNS MAY BE LETTERING FILM, SILK SCREENED OR HAND PAINTED. WHEN HAND PAINTED, POOR WORKMANSHIP SHALL BE CAUSE FOR REJECTION.

SPECIFICATIONS

WARNING SIGNS SHALL MEET THE STANDARD STATE SPECIFICATIONS FOR TRAFFIC SIGNS.

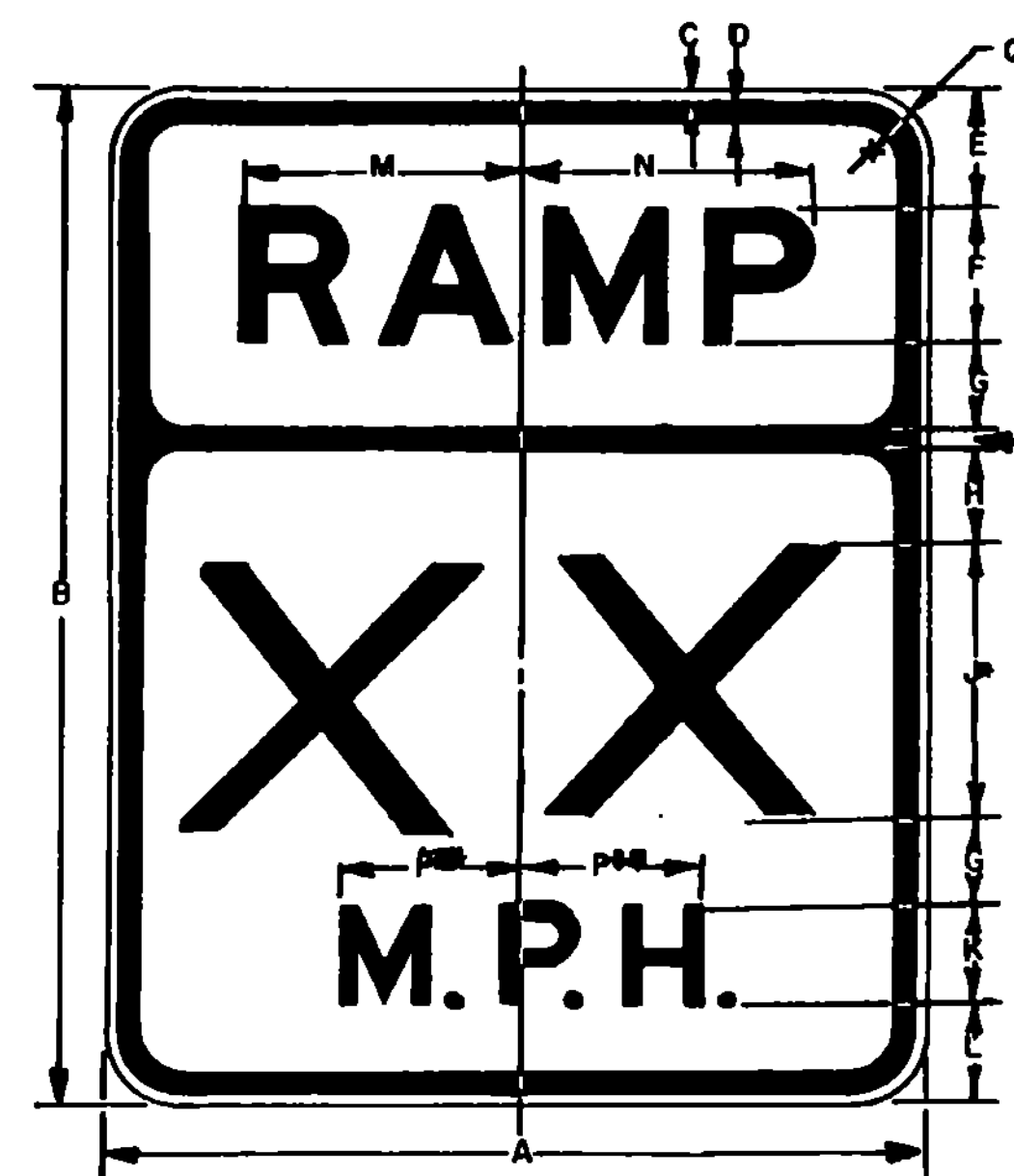
TEXT DESIGN

LETTERS, DIGITS, ARROW, SPACINGS AND TEXT DIMENSIONS SHALL CONFORM WITH THE STANDARD ALPHABETS AND DESIGNS PRESCRIBED IN THE MANUAL ON UNIFORM TRAFFIC CONTROL DEVICES PREPARED BY THE NATIONAL JOINT COMMITTEE ON UNIFORM TRAFFIC CONTROL DEVICES.



COLORS  
 CHEVRON - BLACK (NON-REFL)  
 BACKGROUND - YELLOW (REFL)

SIGN	DIMENSIONS (INCHES)					
	A	B	C	D	E	F
MIN.	12	18	6	9	1/2	1-1/2
STD.	18	24	9	12	3/4	1-1/2
SPECIAL	24	30	12	15	7/8	1-1/2
EXPWY.	30	36	15	18	1	1-7/8
FRWY.	36	48	18	24	1-1/8	2-1/4

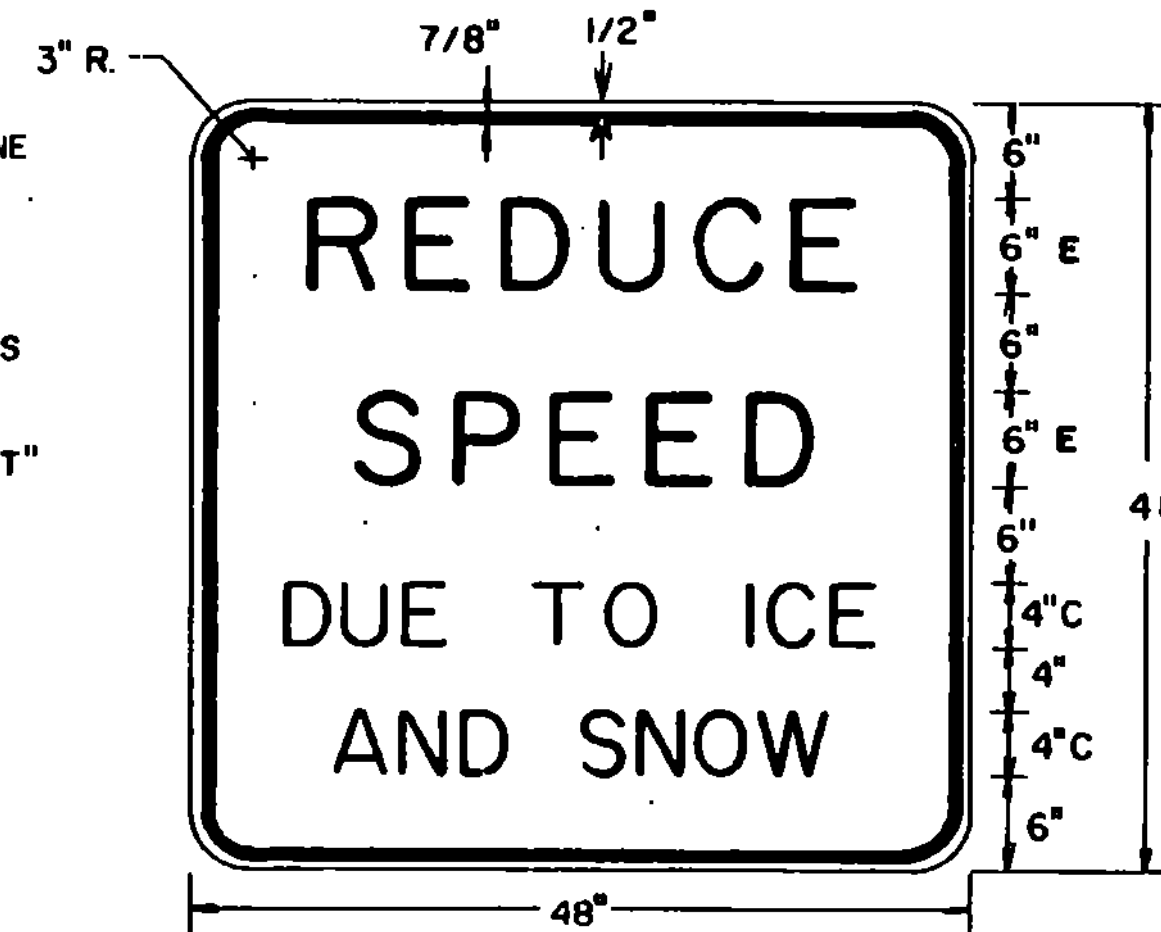


COLORS  
 LEGEND - BLACK (NON-REFL)  
 BACKGROUND - YELLOW (REFL)

SIGN	DIMENSIONS (INCHES)														
	A	B	C	D	E	F	G	H	J	K	L	M	N	P	Q
MIN. & STD.	24	30	3/8	5/8	3-1/2	4E	2-1/2	2-7/8	8E	3E	3	8-1/4	8-1/2	5-5/16	1-1/2
EXPWY.	36	48	5/8	7/8	6	6E	4	5-1/8	12E	4E	6	12-3/8	12-3/4	7-1/16	3-1/4
FWY.	48	60	3/4	1-1/4	7	8E	5	5-3/4	16E	6E	8	16-1/2	17	10-5/8	3

\* OPTICALLY SPACE NUMBERS ABOUT VERTICAL CENTERLINE  
 \*\* INCREASE SPACING 100%

THE "RAMP" SPEED SIGN IS USED ON RAMPS LEADING FROM ONE FREEWAY TO ANOTHER AND THE "EXIT" SPEED SIGN IS USED ON NORMAL EXITS.



COLORS  
 LEGEND - BLACK (NON-REFL.)  
 BACKGROUND - YELLOW (REFL.)

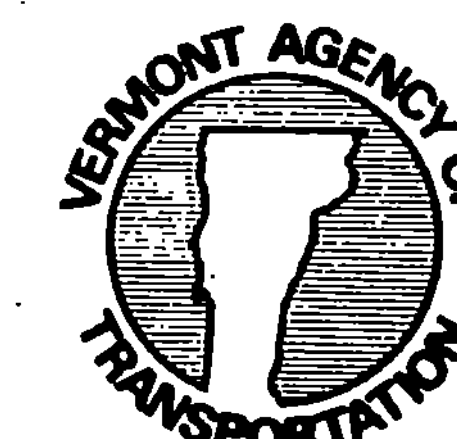
REVISIONS AND CORRECTIONS

APRIL 18, 1985 - RAMP AND EXIT SIGN USE NOTE ADDED.  
 "REDUCE SPEED DUE TO ICE AND SNOW" SIGN ADDED.  
 FEB. 3, 1986 - UPDATED TO 1986 SPECIFICATIONS

APPROVED

DATE OCT. 3, 1984  
 \_\_\_\_\_  
 DIRECTOR OF ENGINEERING AND CONSTRUCTION  
 \_\_\_\_\_  
 CHIEF OF DESIGN  
 \_\_\_\_\_  
 SURVEY AND PLANS ENGINEER

WARNING SIGNS



STANDARD  
 E-19