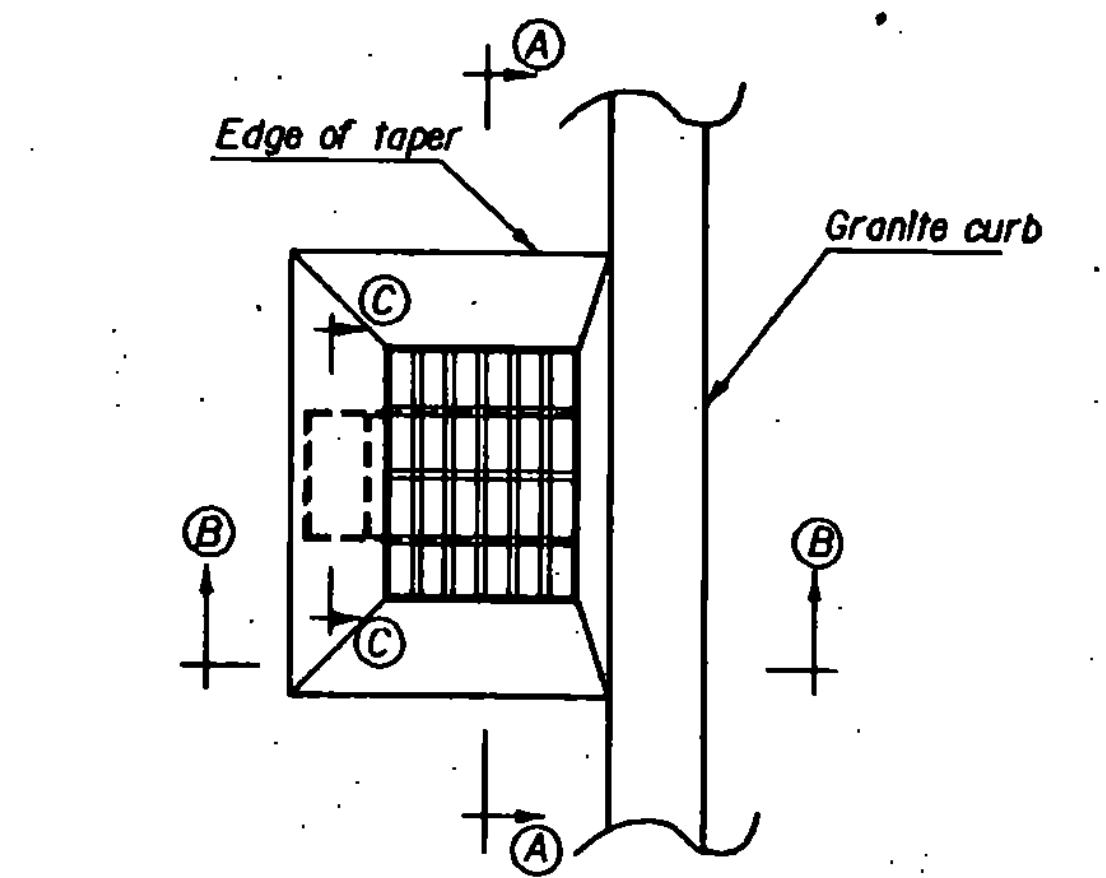


Note: Mark location of scupper; install membrane; make a "X" incision on diagonals of scupper; trim, seal, and wrap into scupper.

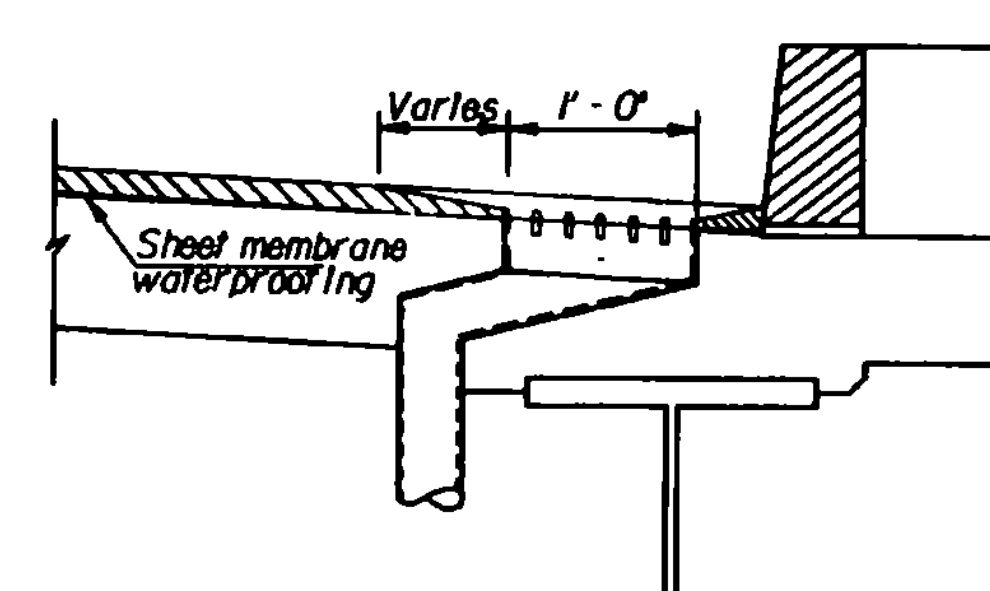
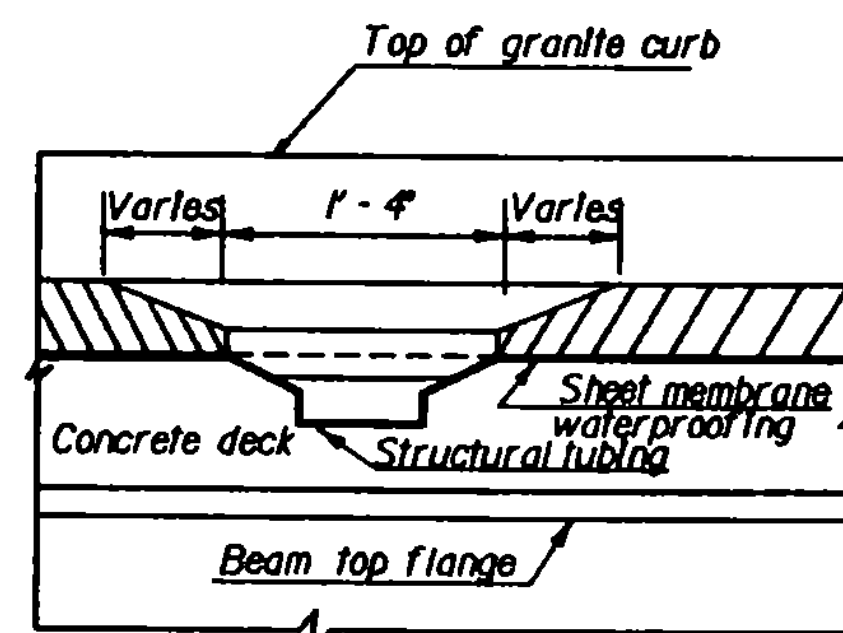
MEMBRANE DETAIL FOR SCUPPERS FLUSH WITH DECK

①

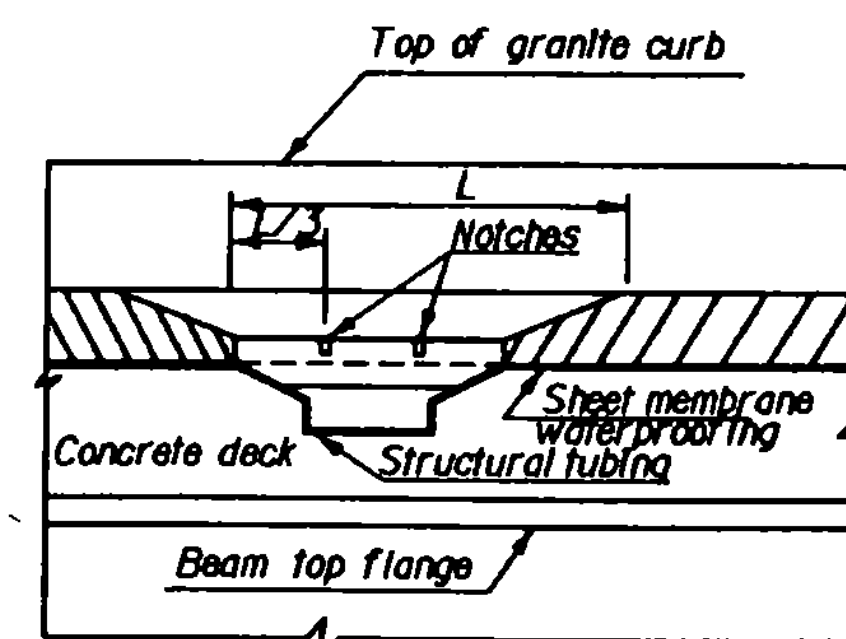


PLAN VIEW
(TYP. FOR DETAILS NO. 1 & 2)
N.T.S.

③



Fit membrane to outside perimeter of scupper.

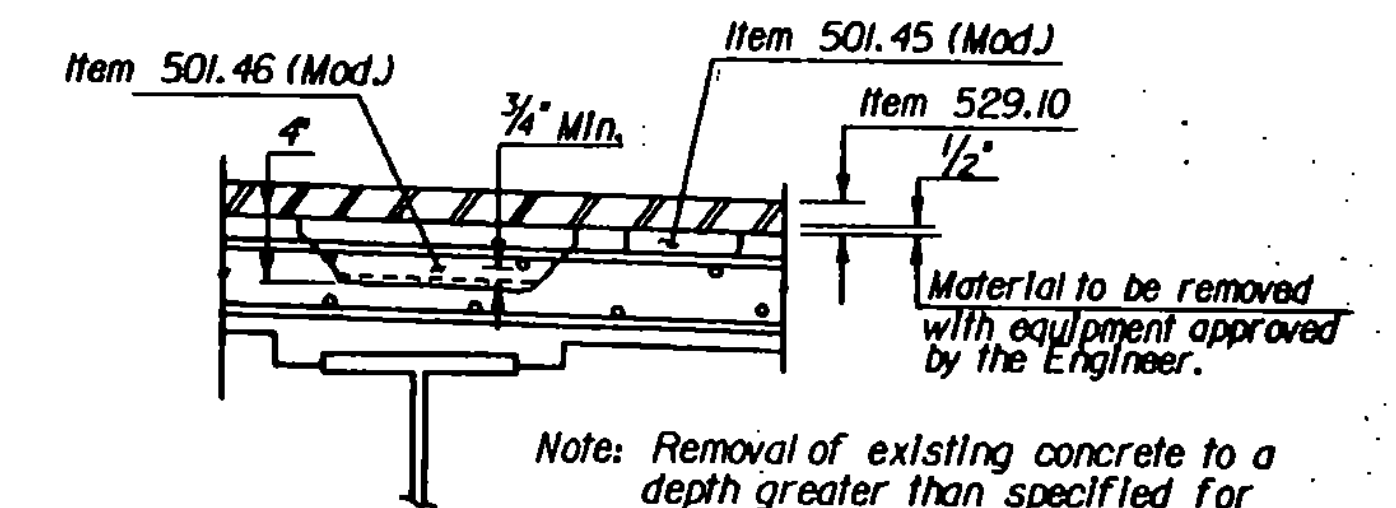


SECTION C-C Note: Notch scupper 1/2" wide to top of concrete on three sides. This work to be subsidiary to the Item 519.20
N.T.S.

MEMBRANE DETAIL FOR RAISED SCUPPERS

②

Note: All edges of repair areas are to be saw cut square and a minimum of one (1) inch deep.
Note: Item 501.45 (Mod.) shall include removal of concrete to a maximum depth as determined by the top of the top bars of reinforcing steel.



TYPICAL LIMITS FOR REMOVAL ITEMS

N T S

④

**STATE OF VERMONT
AGENCY OF TRANSPORTATION**

Town Of LUDLOW - MT. HOLLY	Bridge No. _____
Highway No. VT 100 & VT 103	Log Sta. _____
DECK REHABILITATION	
TYPICAL DETAILS	
Designed By G.S. ROGERS	Drawn By D.W. NEWTON
Checked By G.S. ROGERS Date 6/87	Bridge Design Supervisor R.L. OATLEY Date 6/87
PROJECT LUDLOW - MT. HOLLY	PROJECT NO. F-DECK (22) S
I&C. info. ZFAL30,321SCUPREHABDGN	PRF. LUDMTHLY
Bridge Sheet No. _____	Sheet 14 of 40