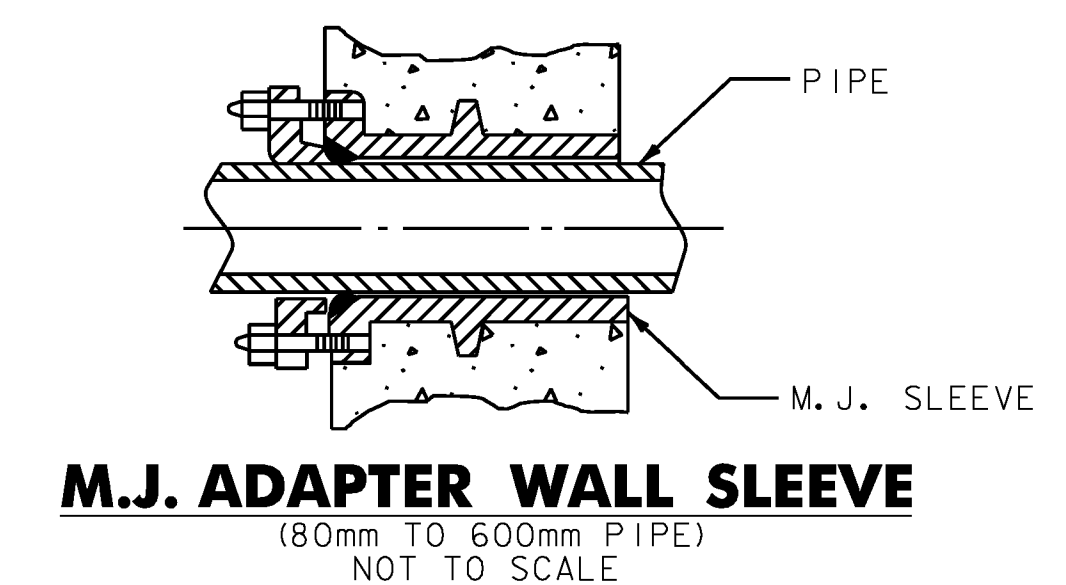
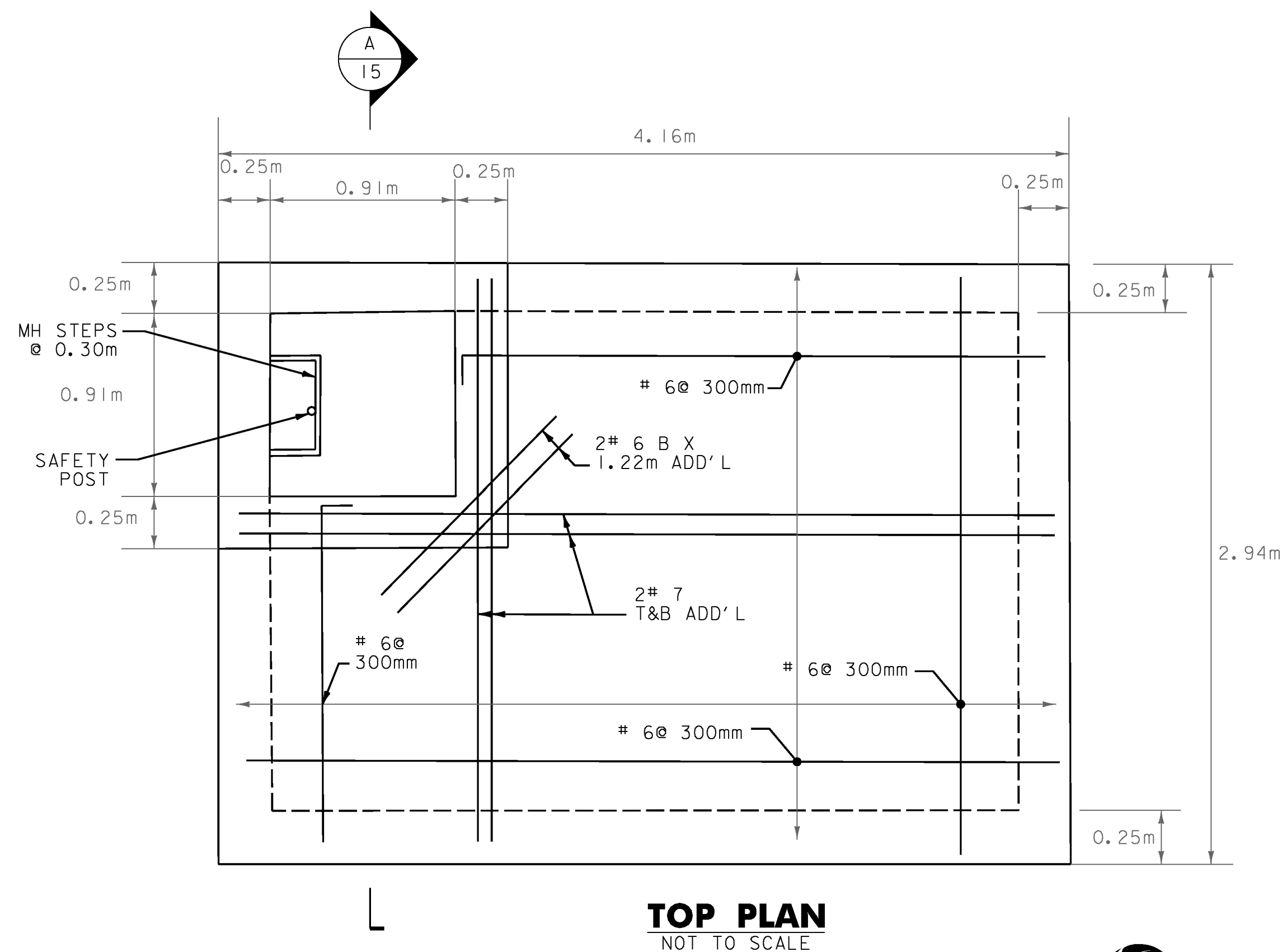
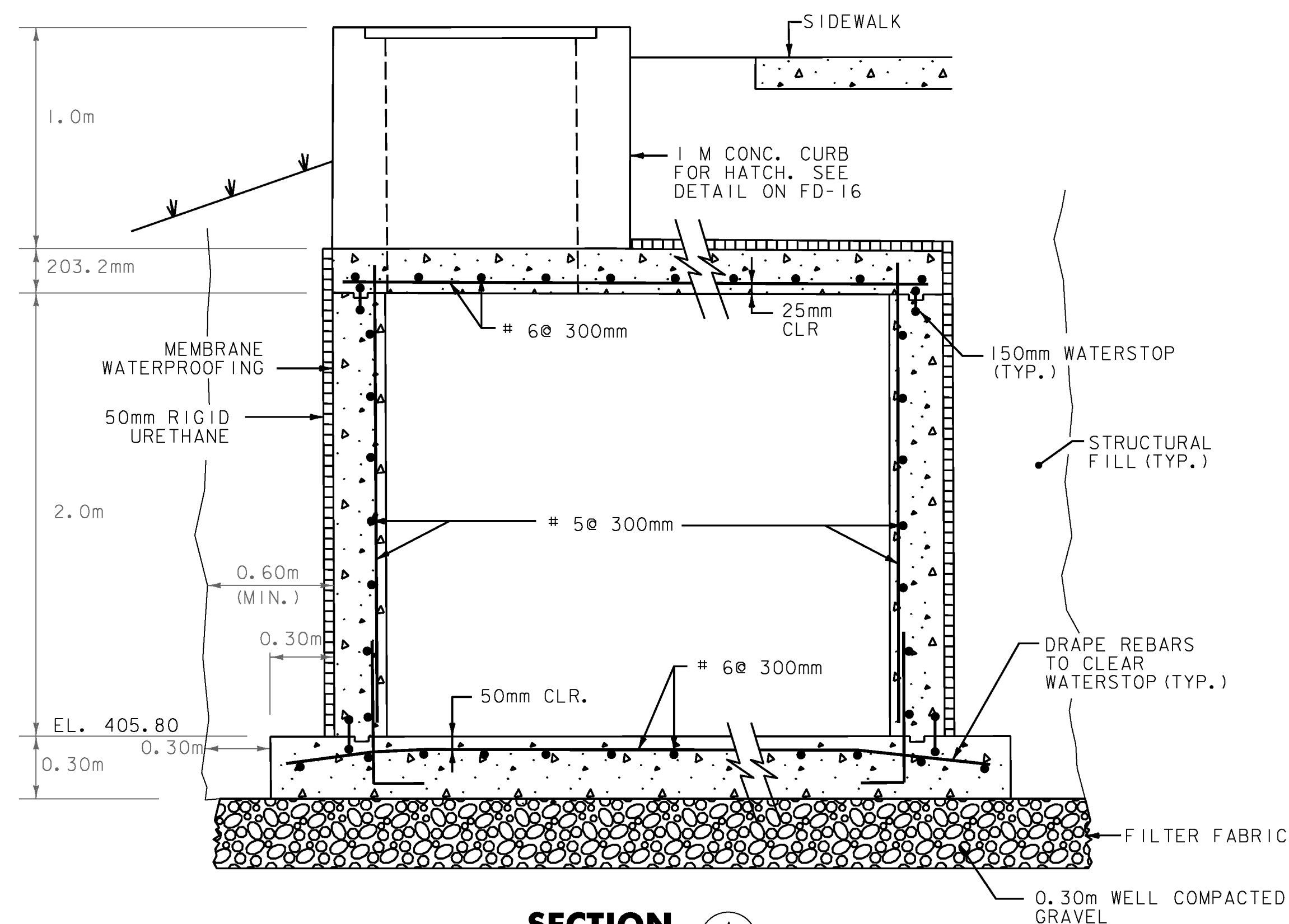
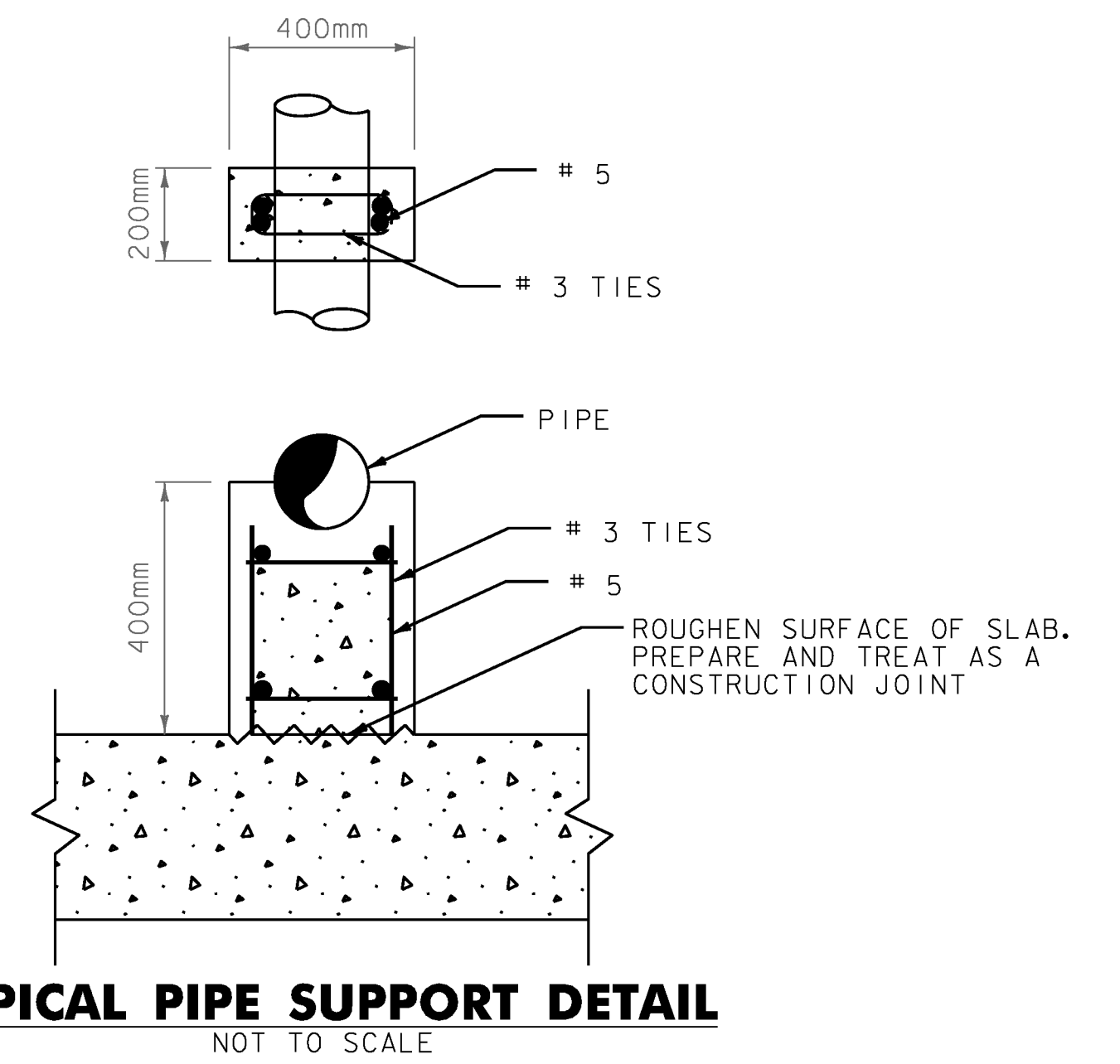
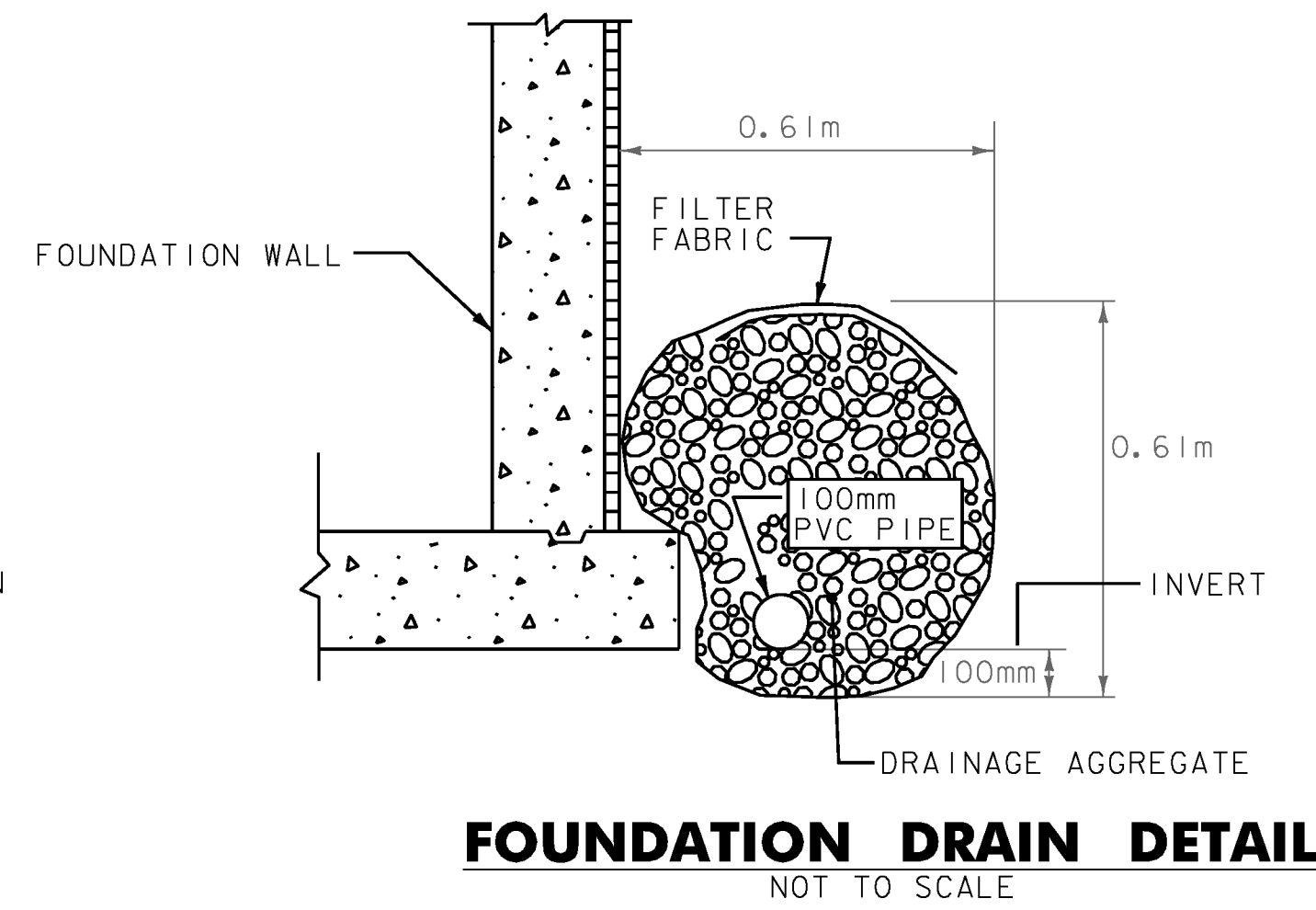
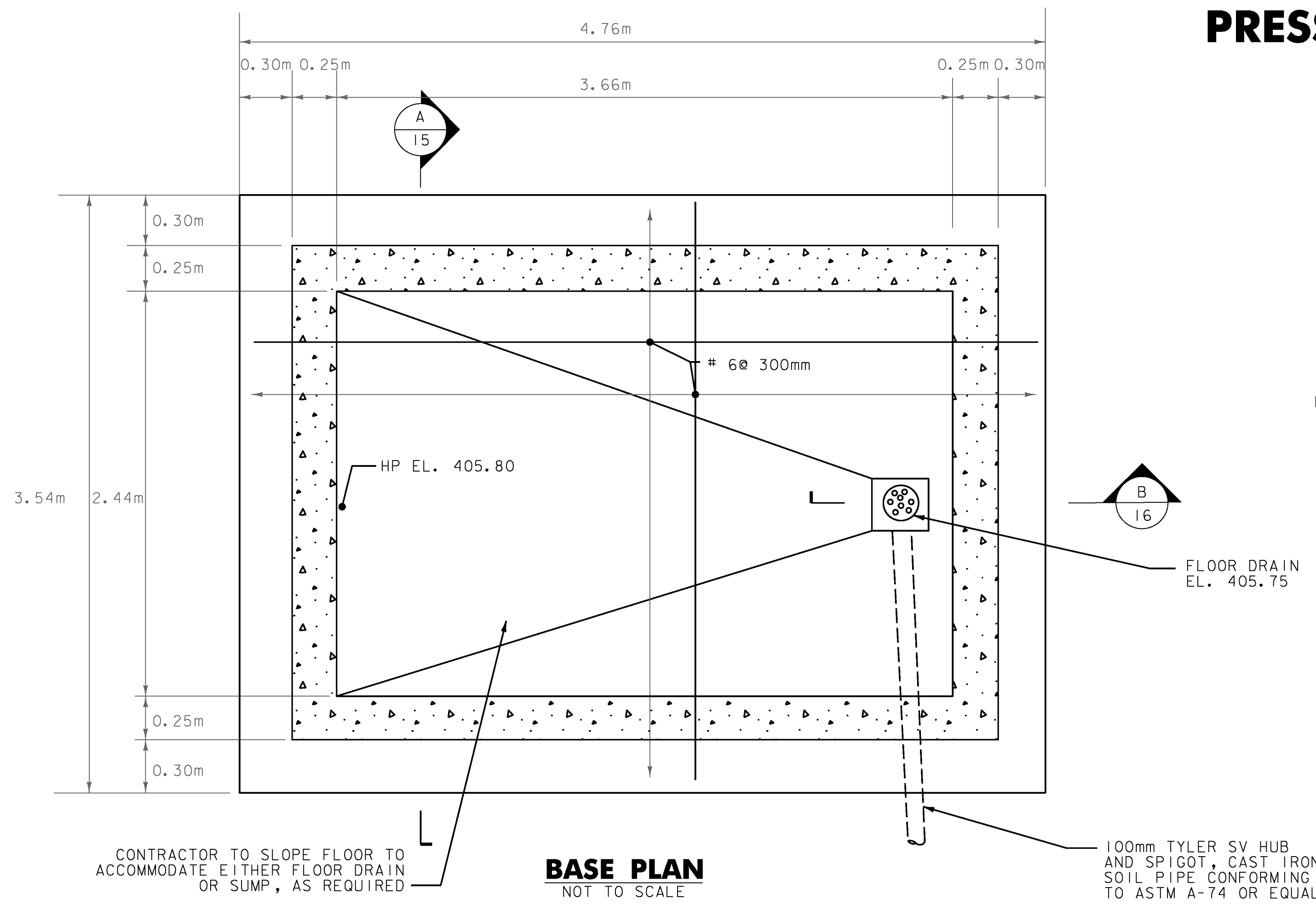


PRESSURE REDUCING VAULT



**REPLACEMENT SHEETS
ISSUED 10/5/11**

PROJECT NAME: DANVILLE
PROJECT NUMBER: F EGC 028-3(32)

FILE NAME: ...\\Utilities\PlotFiles\FD-15.prf PLOT DATE: 10/4/2011
DESIGN SUPERVISOR: TOM NESBITT DRAWN BY: STANTEC
DESIGNED BY: STANTEC CHECKED BY: STANTEC
FIRE DISTRICT WATER PLAN FD-15 SHEET 304 OF 306