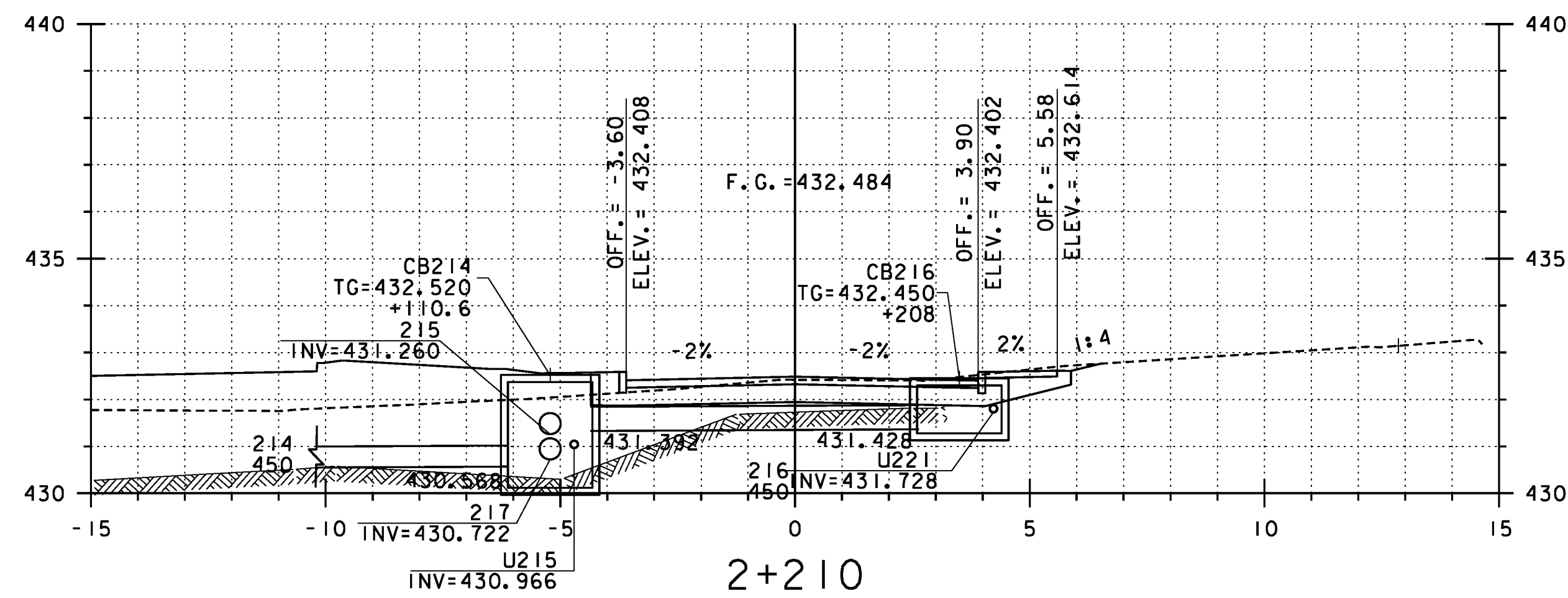
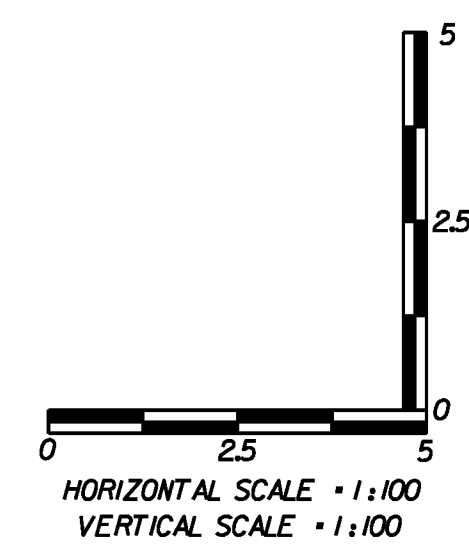
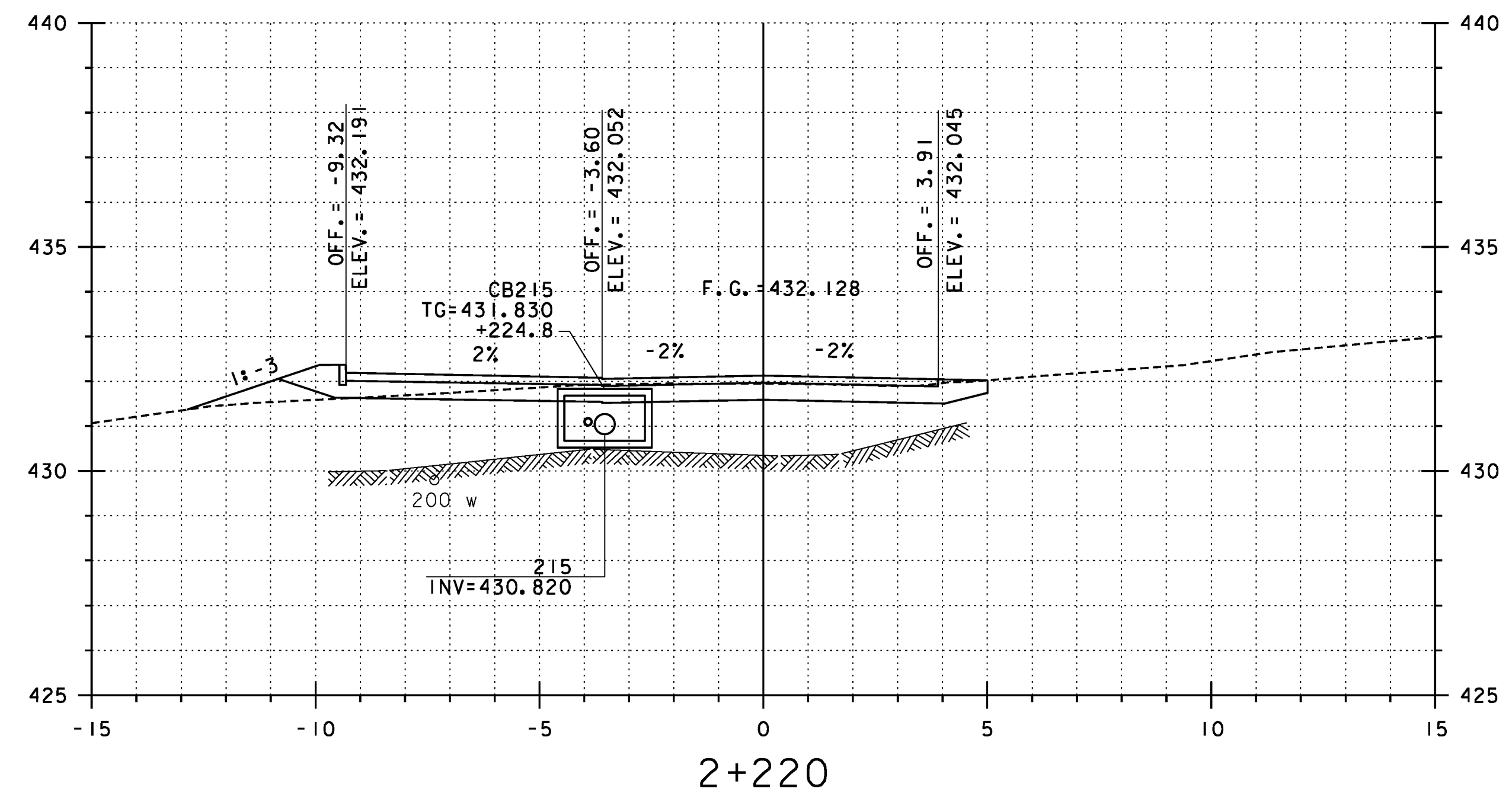
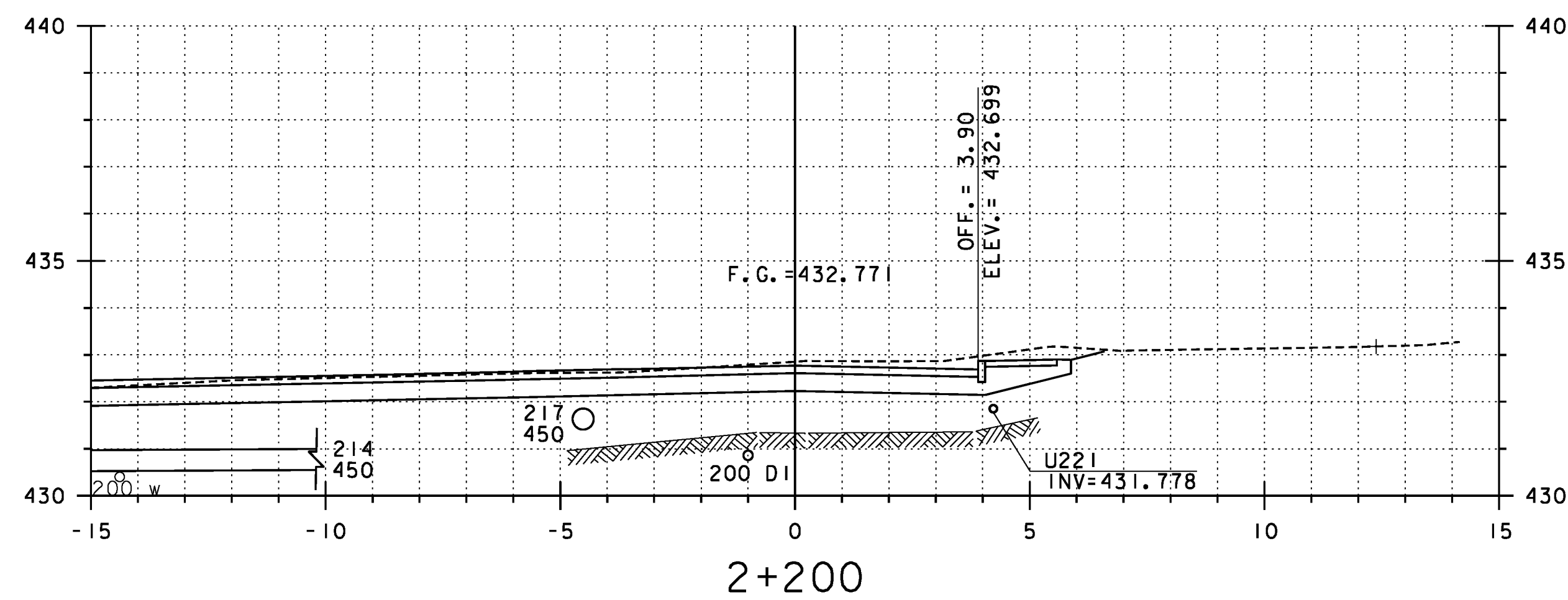


2+224.7
BIT., RT



PARK STREET STA. 2+200.430=
SMITH STREET STA. 5+115.963
INTERSECTION, LEFT



**REPLACEMENT SHEETS
ISSUED 02/24/12**

STA 2+200 TO 2+224.7

PROJECT NAME: DANVILLE
PROJECT NUMBER: F EGC 028-3(32)

FILE NAME: ...\\PlotFiles\135 XS-Park_10m.ptf PLOT DATE: 2/24/2012
DESIGN SUPERVISOR: GARY SANTY DRAWN BY: STANTEC
DESIGNED BY: STANTEC CHECKED BY: STANTEC
PARK STREET CROSS SECTIONS - PSX-6 SHEET 272 OF 306

