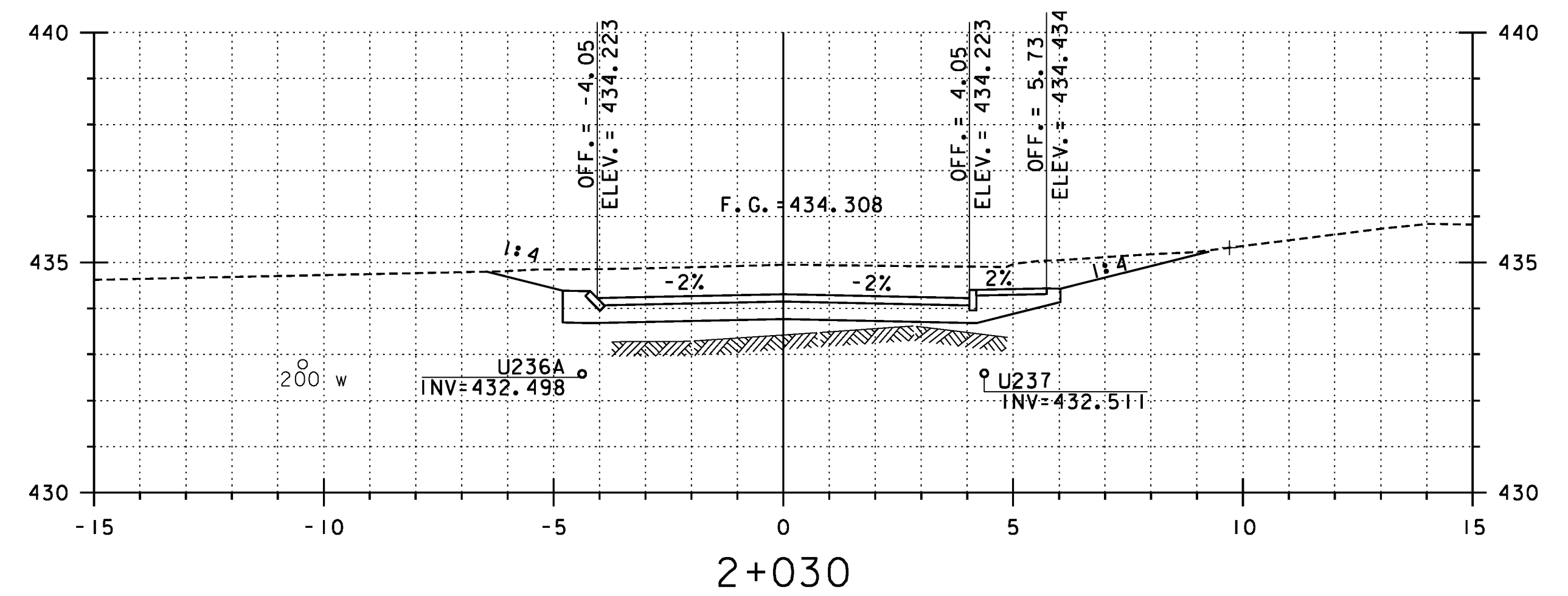
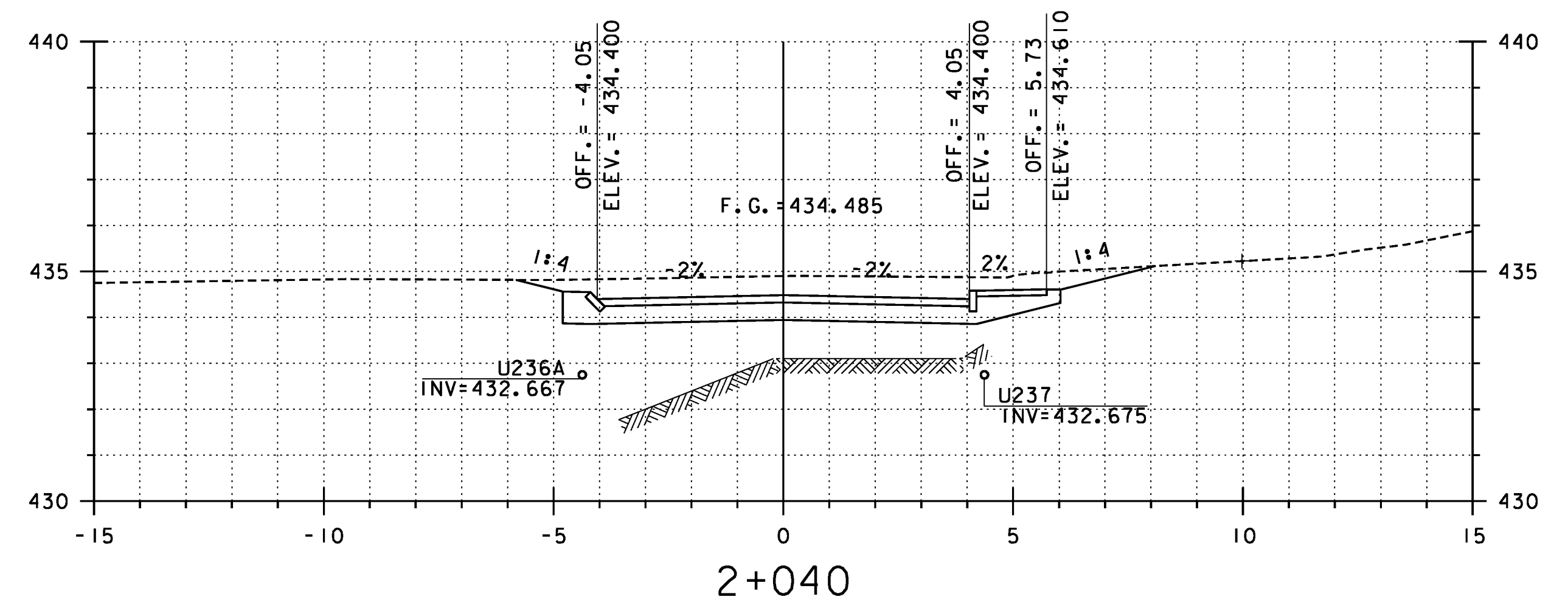


PARK STREET STA. 2+000.000=
U.S. ROUTE 2 STA. 19+126.333



**REPLACEMENT SHEETS
ISSUED 02/24/12**

STA 2+000.000 TO 2+040

PROJECT NAME: DANVILLE
PROJECT NUMBER: F EGC 028-3(32)

FILE NAME: ...PlotFiles\135 XS-Park_10m.ptf PLOT DATE: 2/24/2012
DESIGN SUPERVISOR: GARY SANTY DRAWN BY: STANTEC
DESIGNED BY: STANTEC CHECKED BY: STANTEC
PARK STREET CROSS SECTIONS - PSX-1 SHEET 267 OF 306

