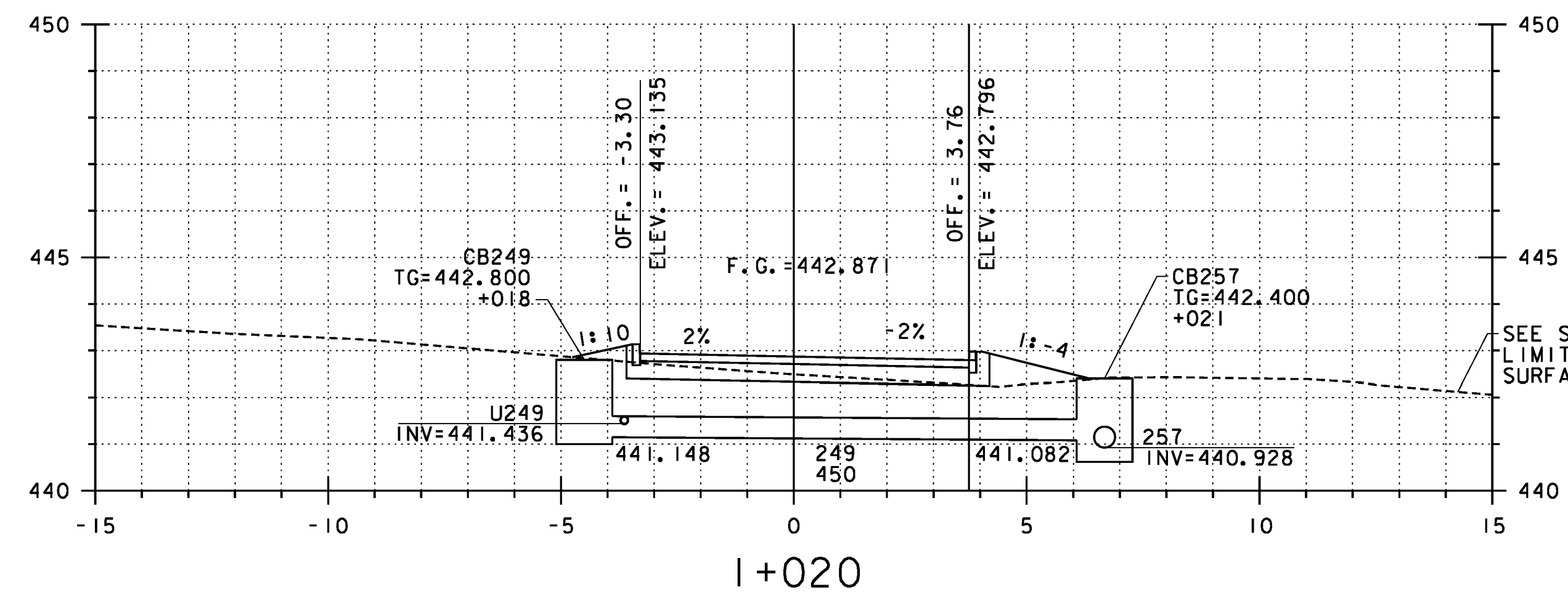
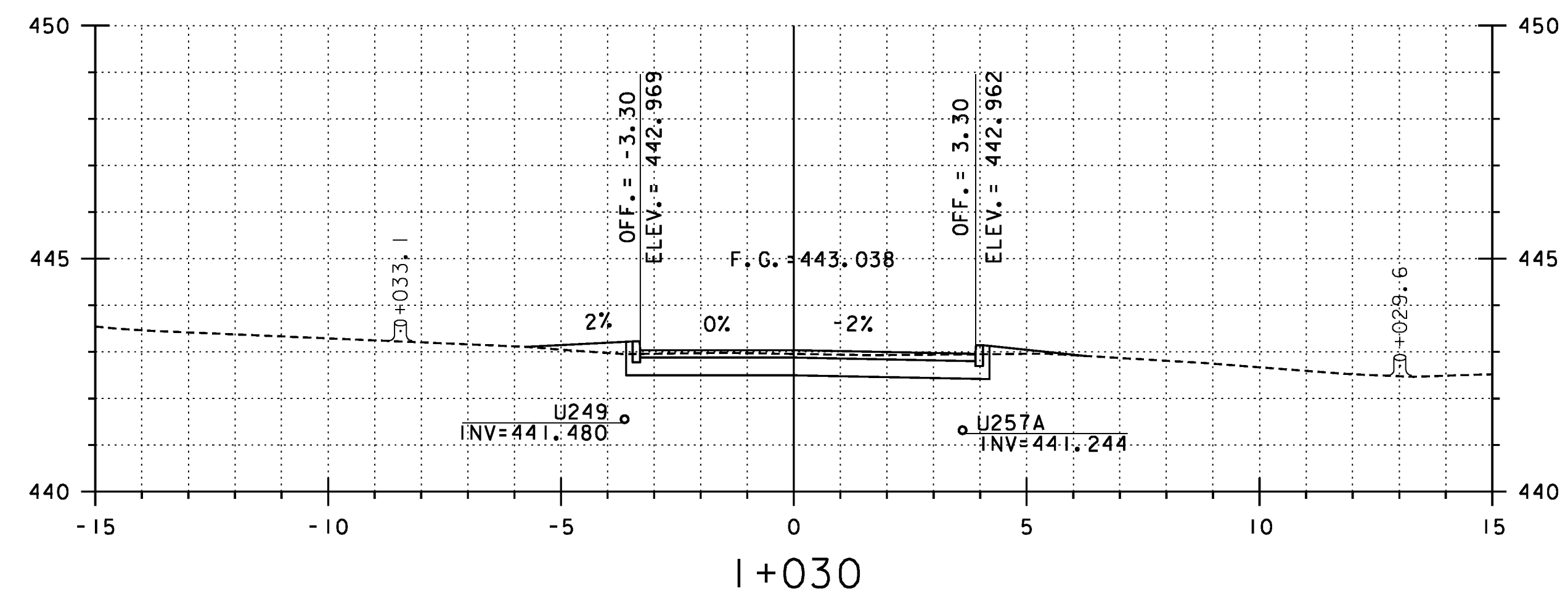
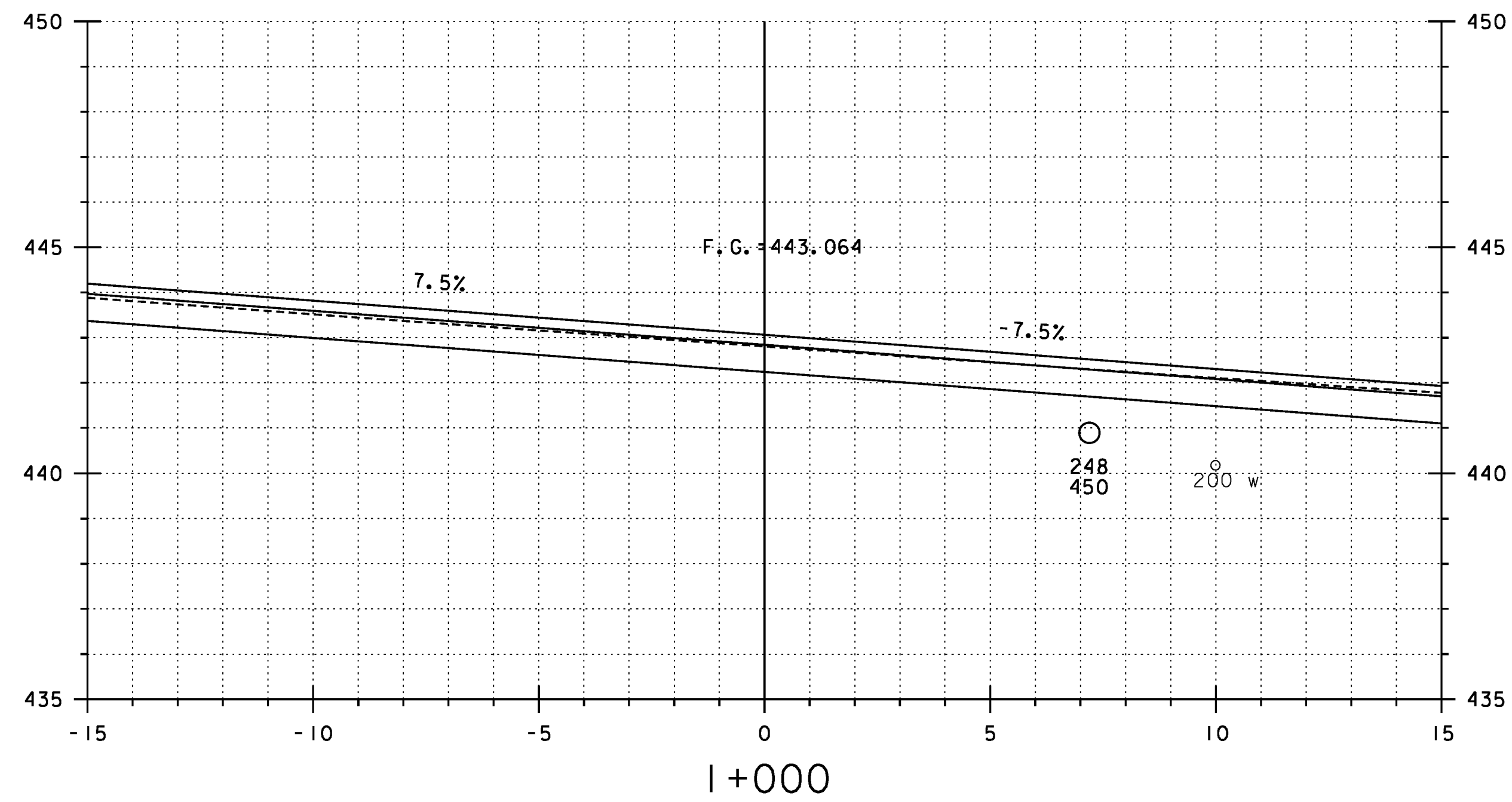


WALDEN HILL ROAD STA. 1+000.000=
 U.S. ROUTE 2 STA. 18+905.941
 MATCH EXISTING



SEE SHEET CP-3 FOR LIMITS OF EXCAVATION OF SURFACES AND PAVEMENTS

**REPLACEMENT SHEETS
ISSUED 02/24/12**

STA 1+000 TO 1+030

PROJECT NAME: DANVILLE
 PROJECT NUMBER: F EGC 028-3(32)

FILE NAME: ...\\134 XS-Walden_I0m.pxf
 DESIGN SUPERVISOR: GARY SANTY
 DESIGNED BY: STANTEC
 PLOT DATE: 2/24/2012
 DRAWN BY: STANTEC
 CHECKED BY: STANTEC
 WALDEN HILL CROSS SECTIONS - WHX-1
 SHEET 264 OF 306

