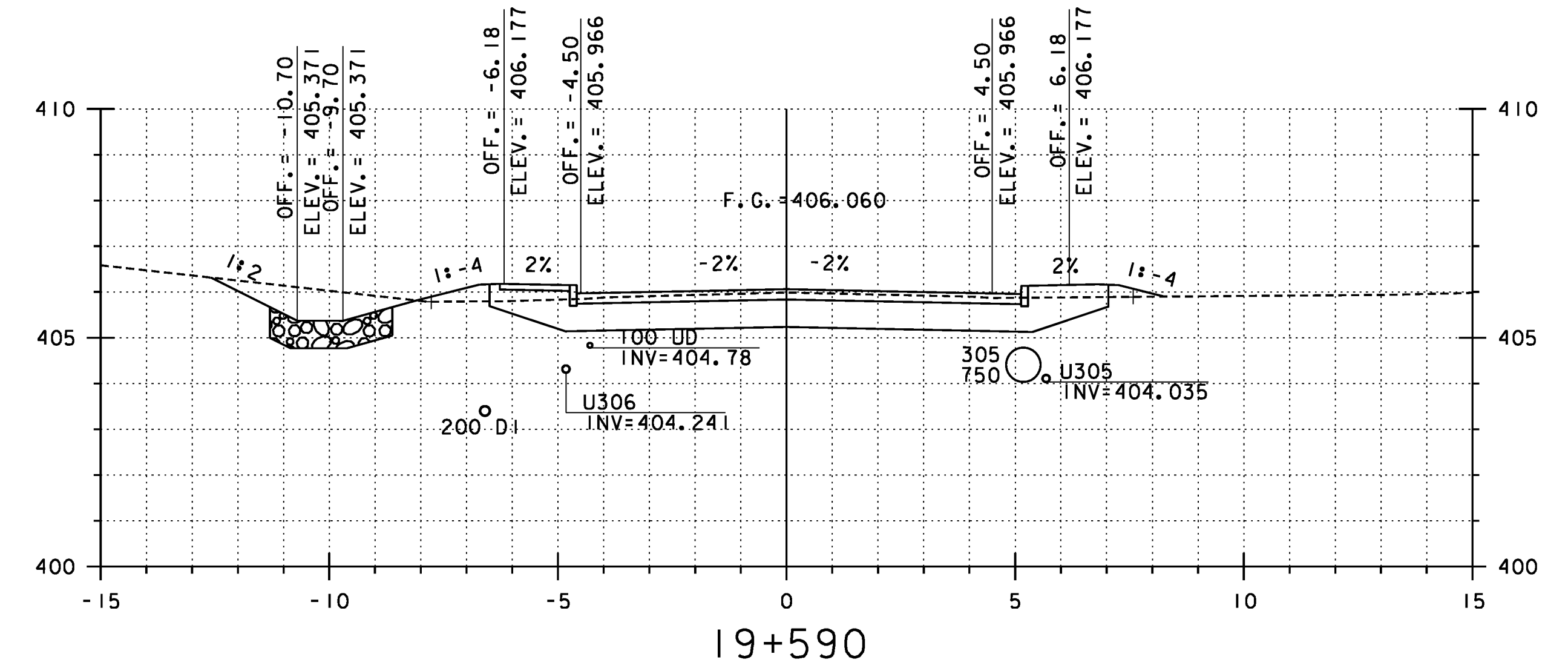
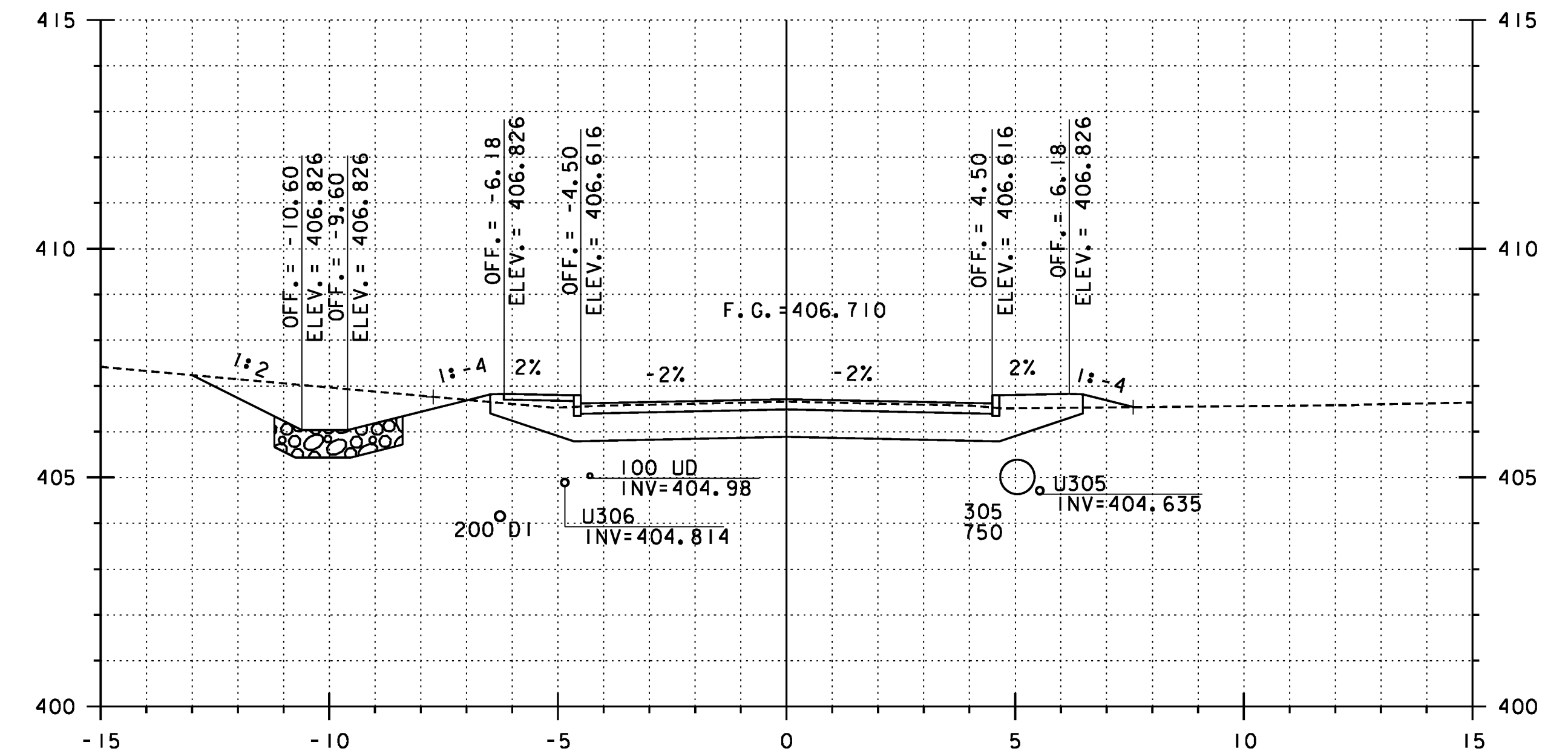


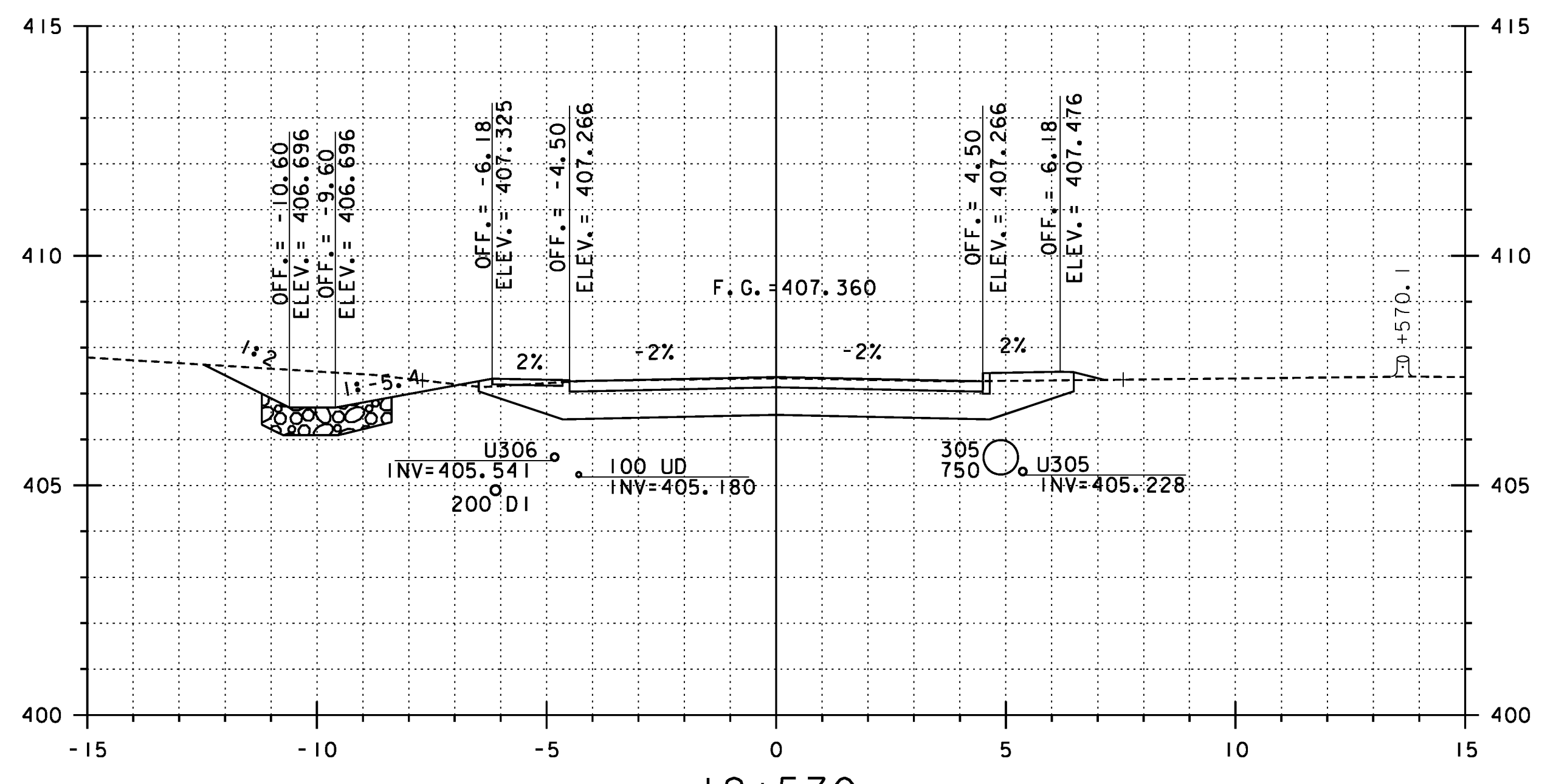
19+562.1  
BIT., LT



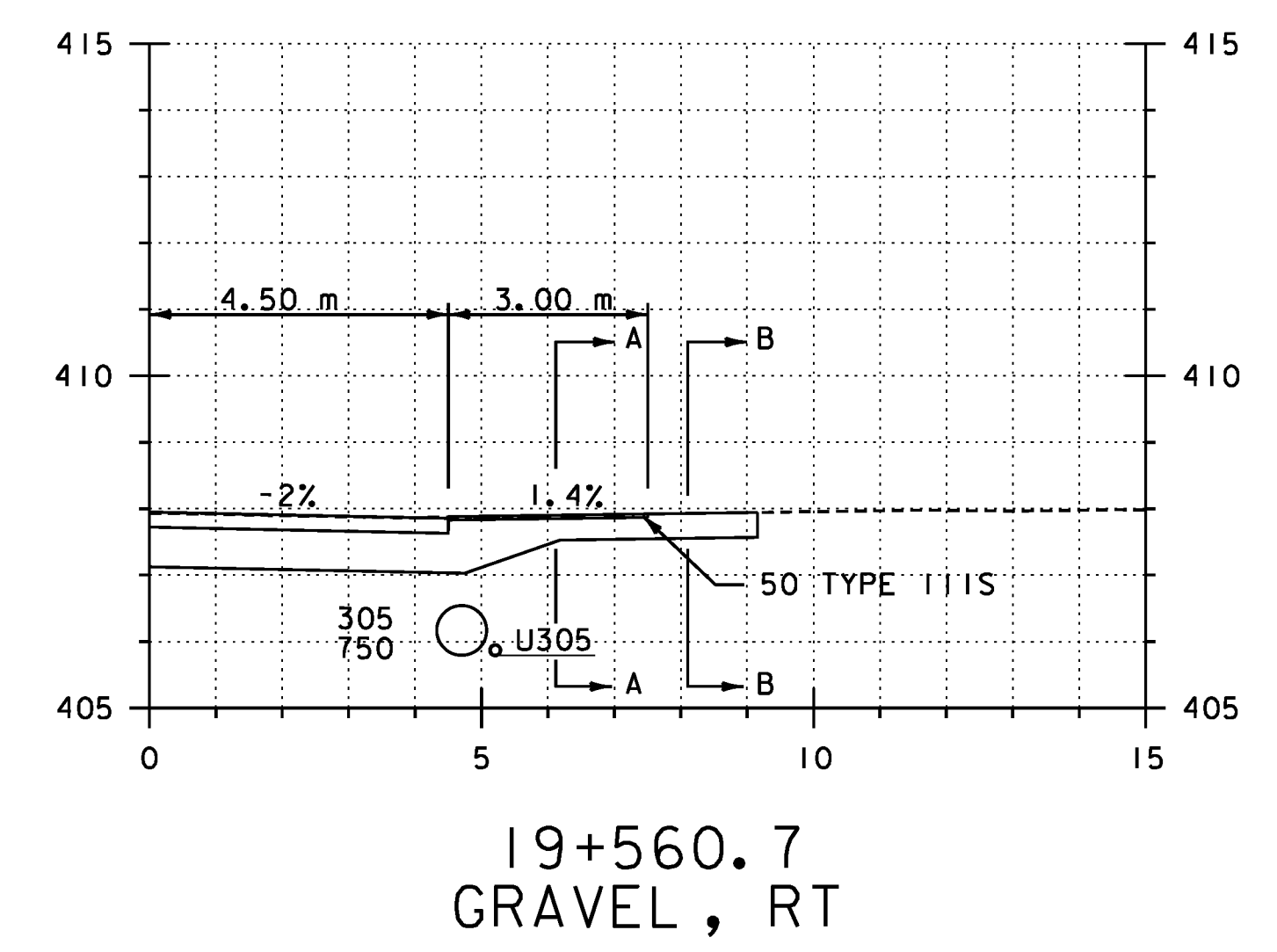
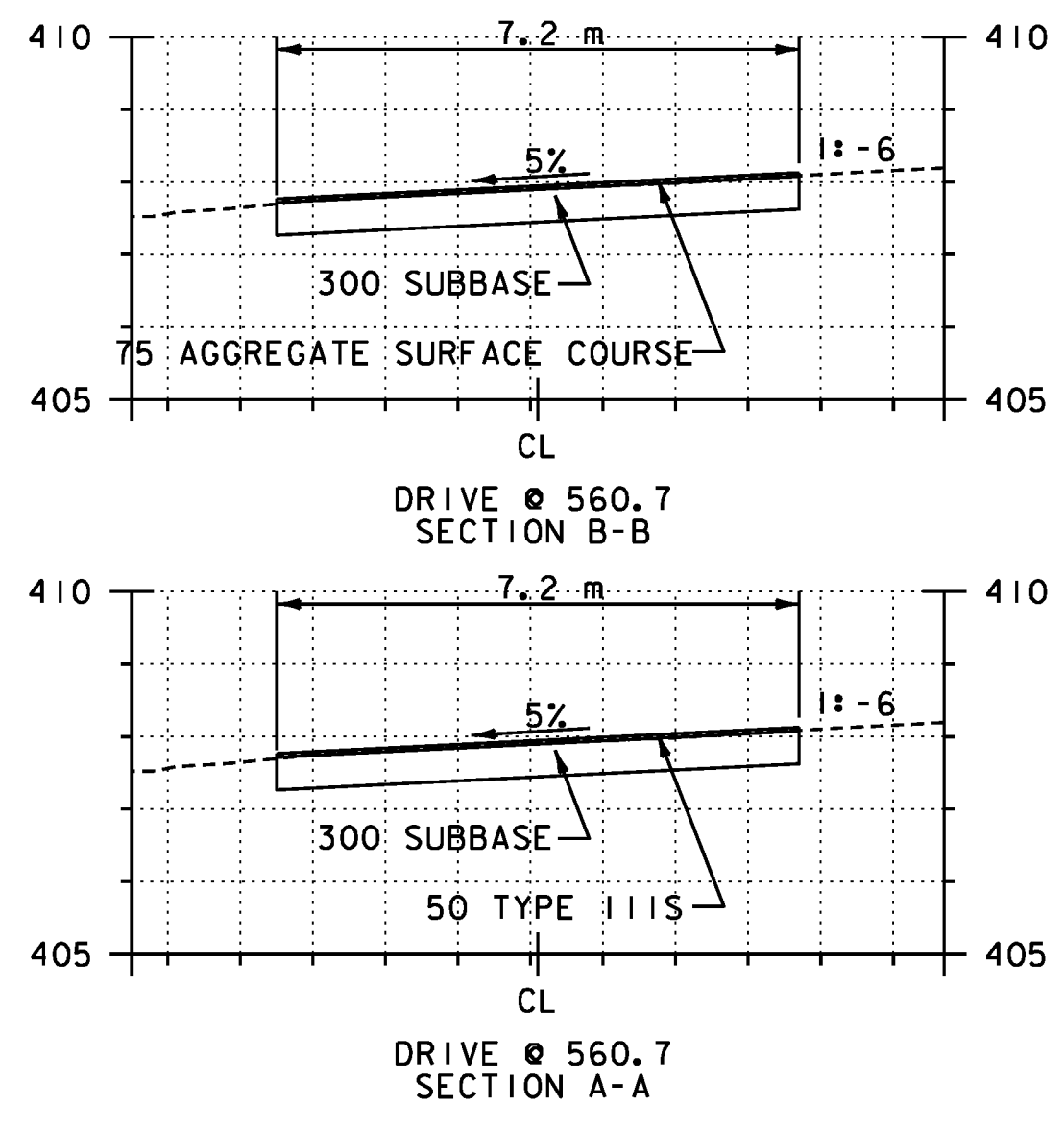
19+590



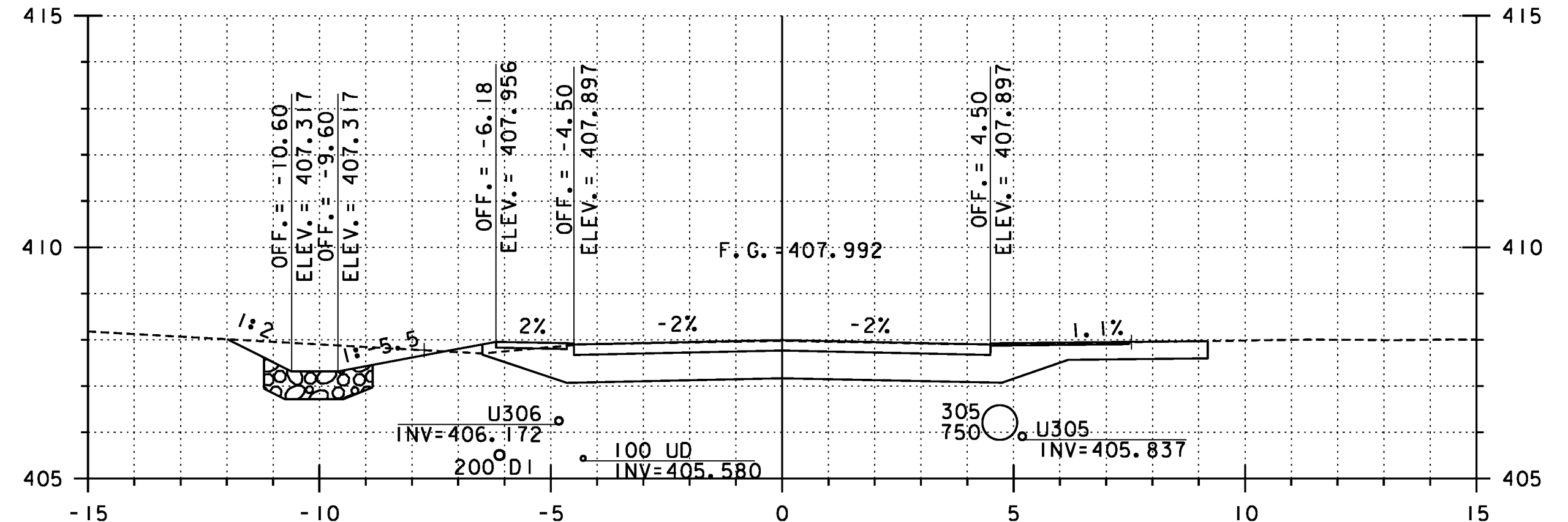
19+580



19+570



19+560.7  
GRAVEL, RT



19+560

**REPLACEMENT SHEETS  
ISSUED 02/24/12**

STA 19+560 TO 19+562.1

PROJECT NAME: DANVILLE  
PROJECT NUMBER: F EGC 028-3(32)  
FILE NAME: ...\\PlotFiles\133 XS-US2.10m.ptf PLOT DATE: 2/24/2012  
DESIGN SUPERVISOR: GARY SANTY DRAWN BY: STANTEC  
DESIGNED BY: STANTEC CHECKED BY: STANTEC  
US ROUTE 2 CROSS SECTIONS - MLX-30 SHEET 254 OF 306

