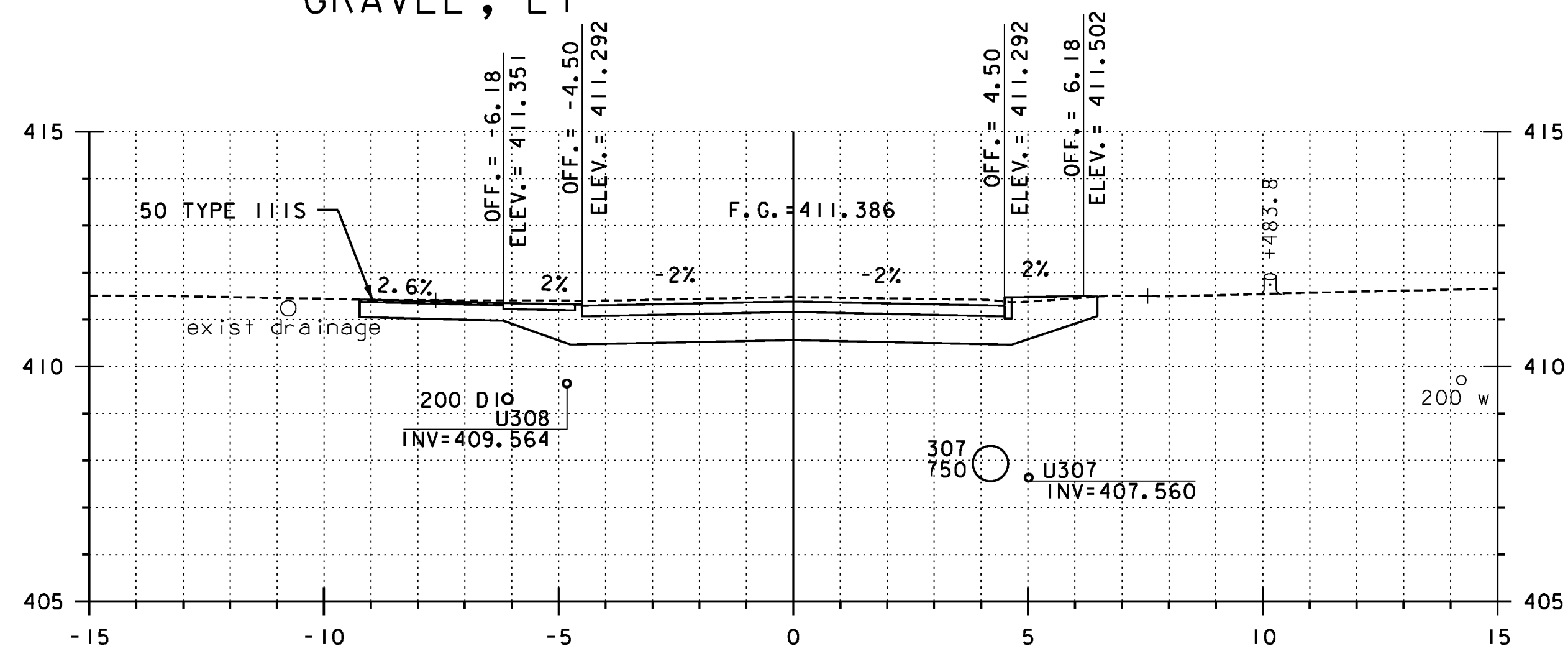
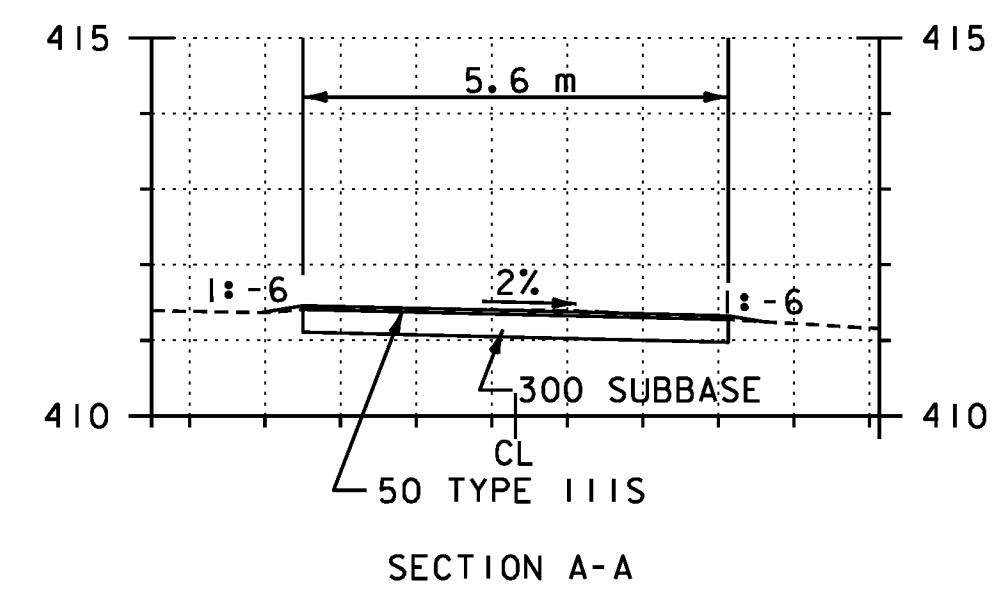
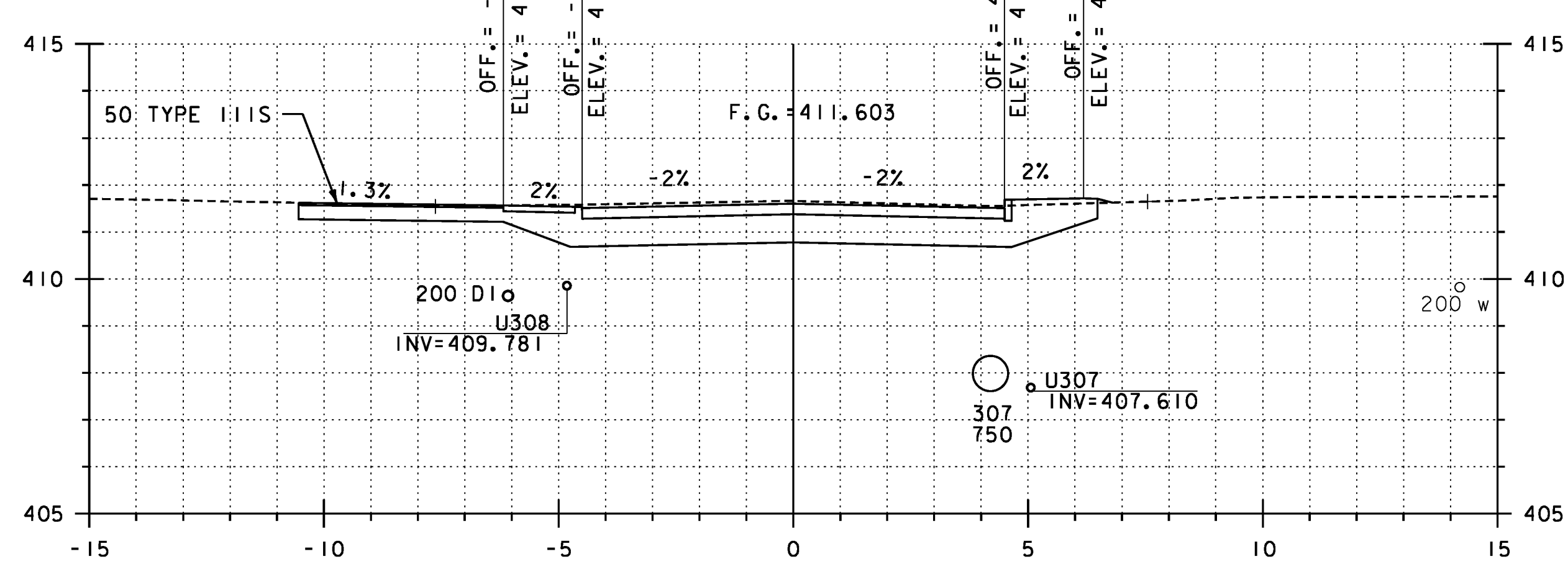


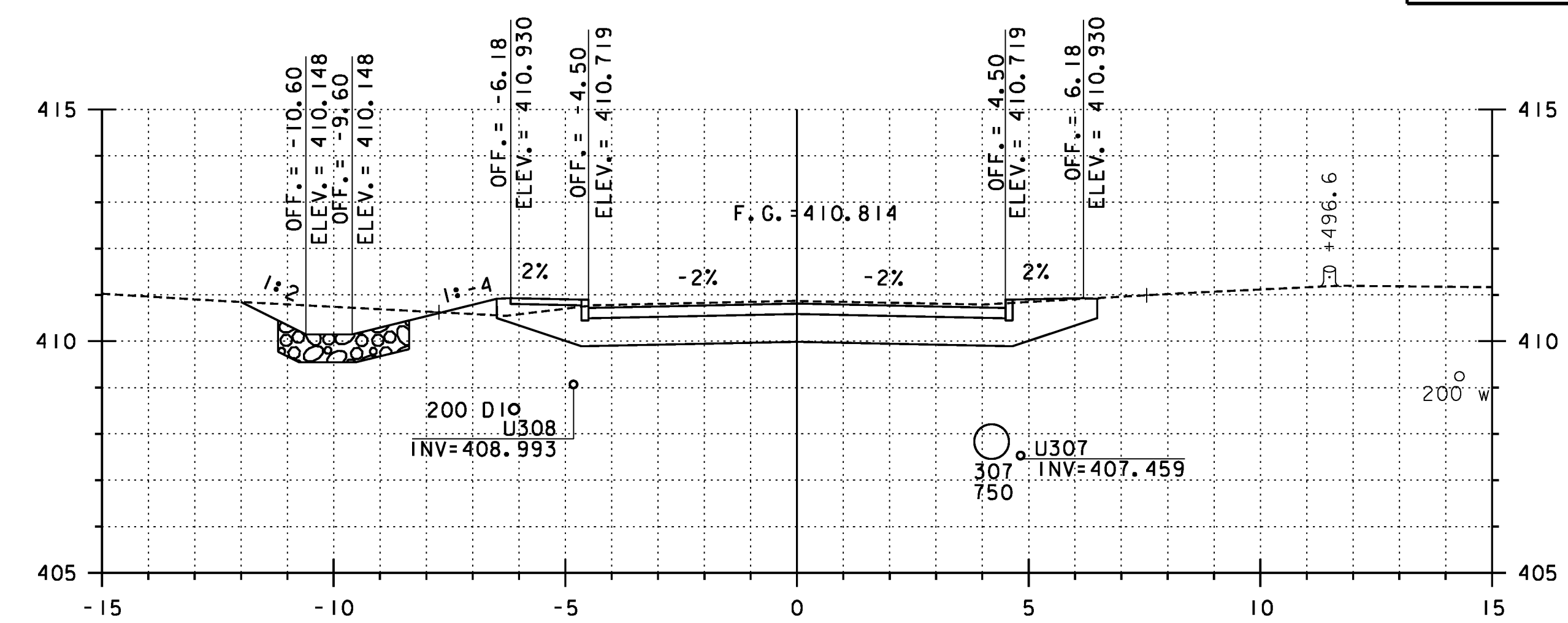
19+483.8
GRAVEL, LT



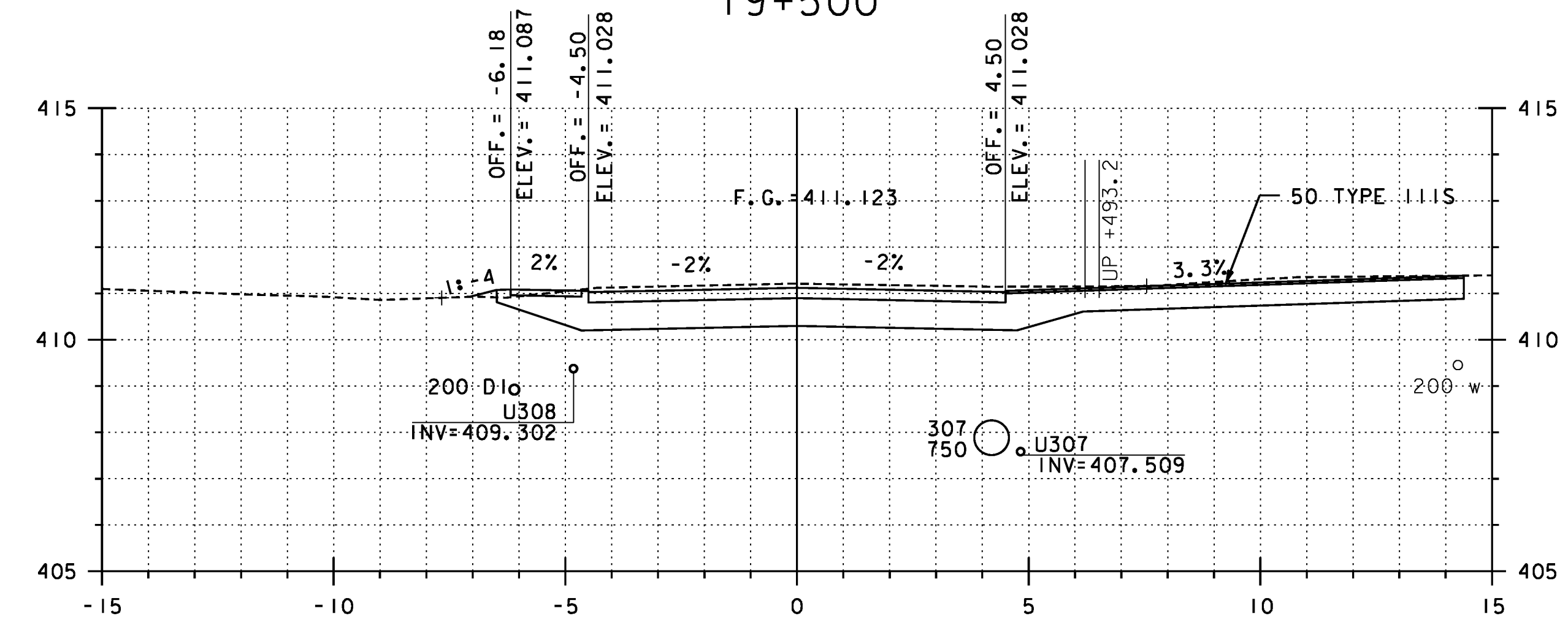
19+480



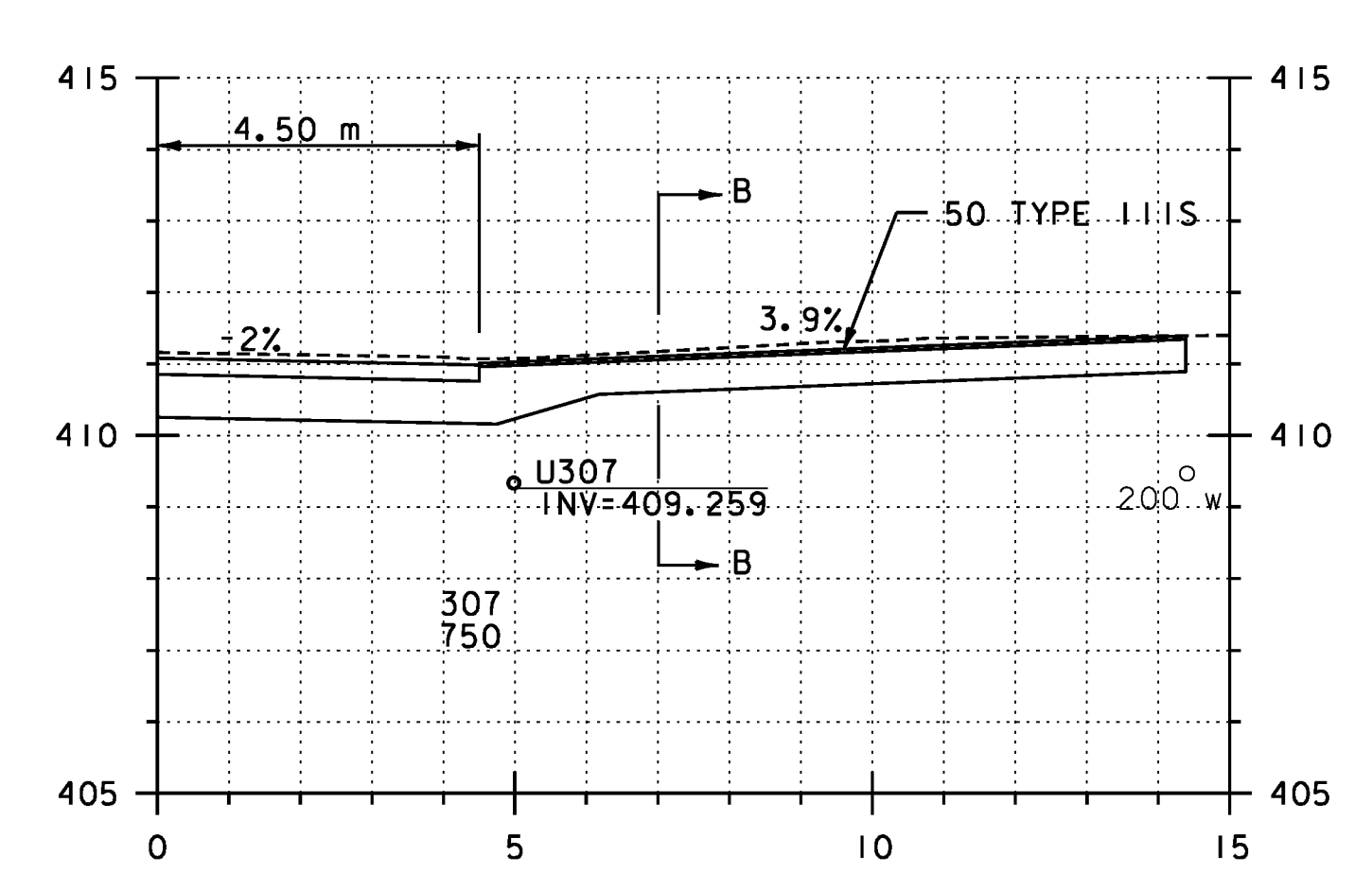
19+470



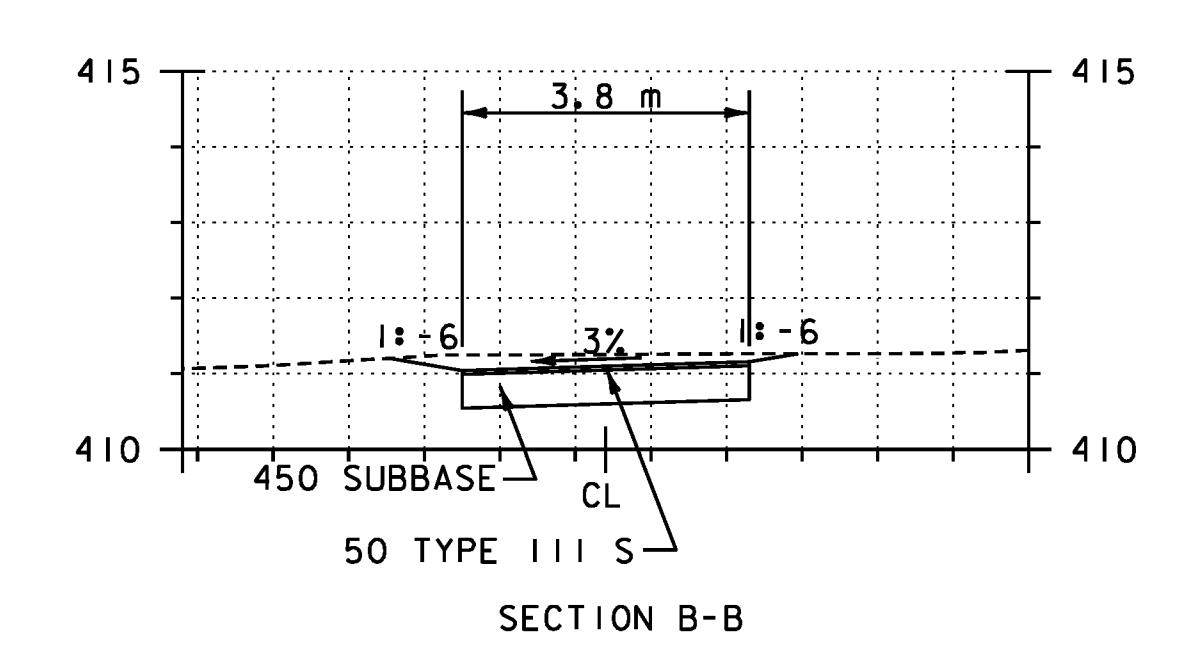
19+500



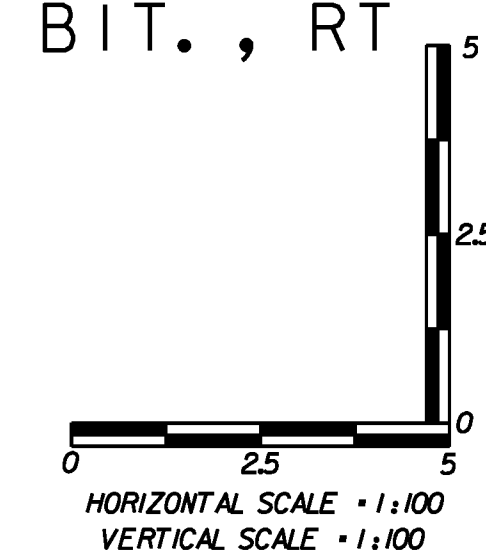
19+490



19+489.8
BIT., RT



SECTION B-B



**REPLACEMENT SHEETS
ISSUED 02/24/12**

STA 19+470 TO 19+500

PROJECT NAME: DANVILLE	PLOT DATE: 2/24/2012
PROJECT NUMBER: F EGC 028-3(32)	DRAWN BY: STANTEC
FILE NAME: ...\\PlotFiles\133 XS-US2.10m.ptf	CHECKED BY: STANTEC
DESIGN SUPERVISOR: GARY SANTY	SHEET 252 OF 306
DESIGNED BY: STANTEC	



2/24/2012 2:30:08 PM V:\NBS3\octive\9530033_1092\Highway\PlotFiles\133 XS-US2.10m.ptf