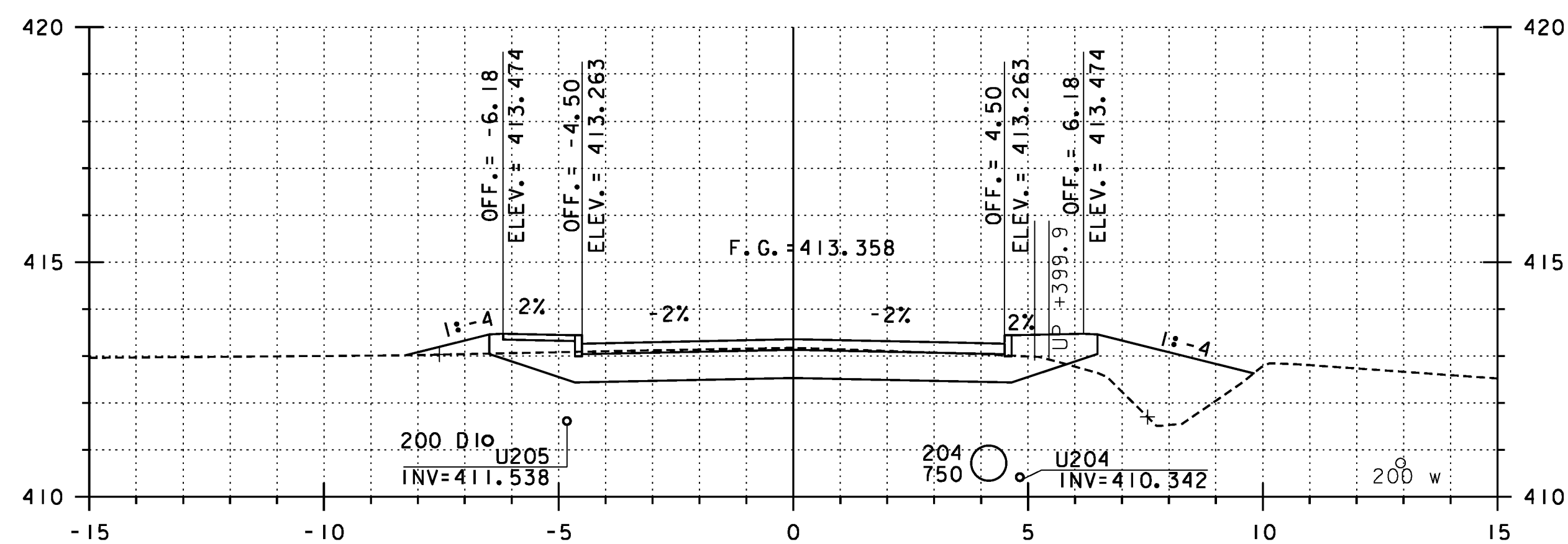
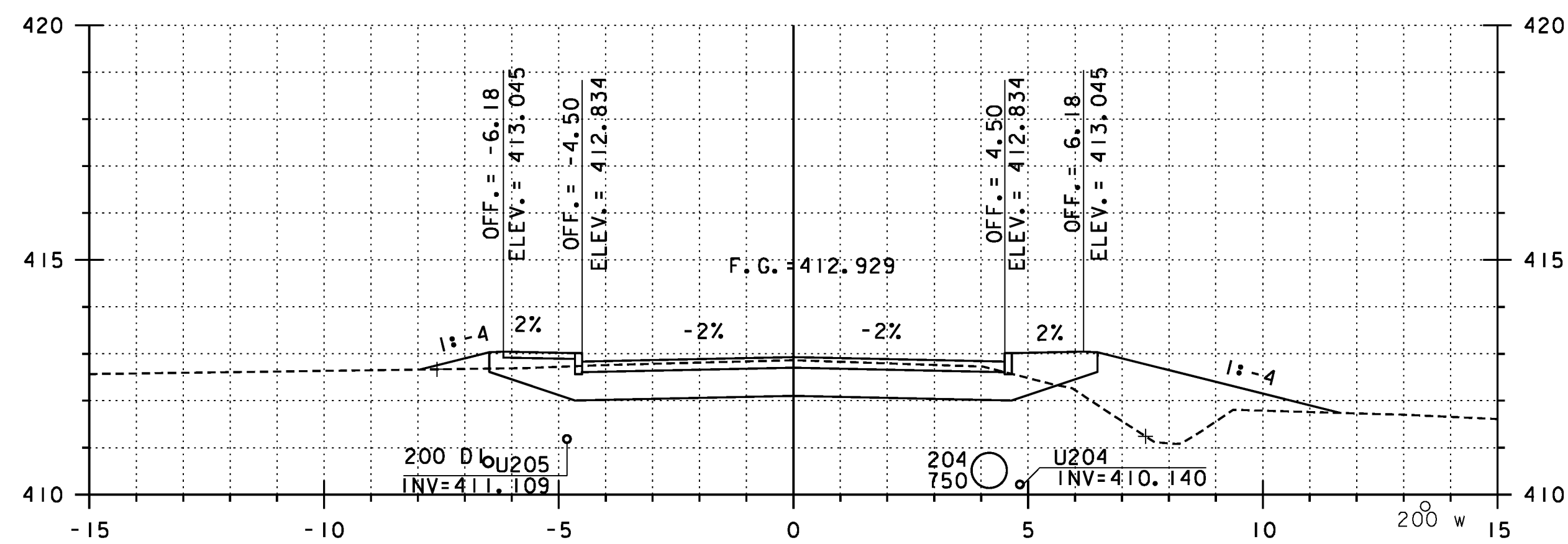
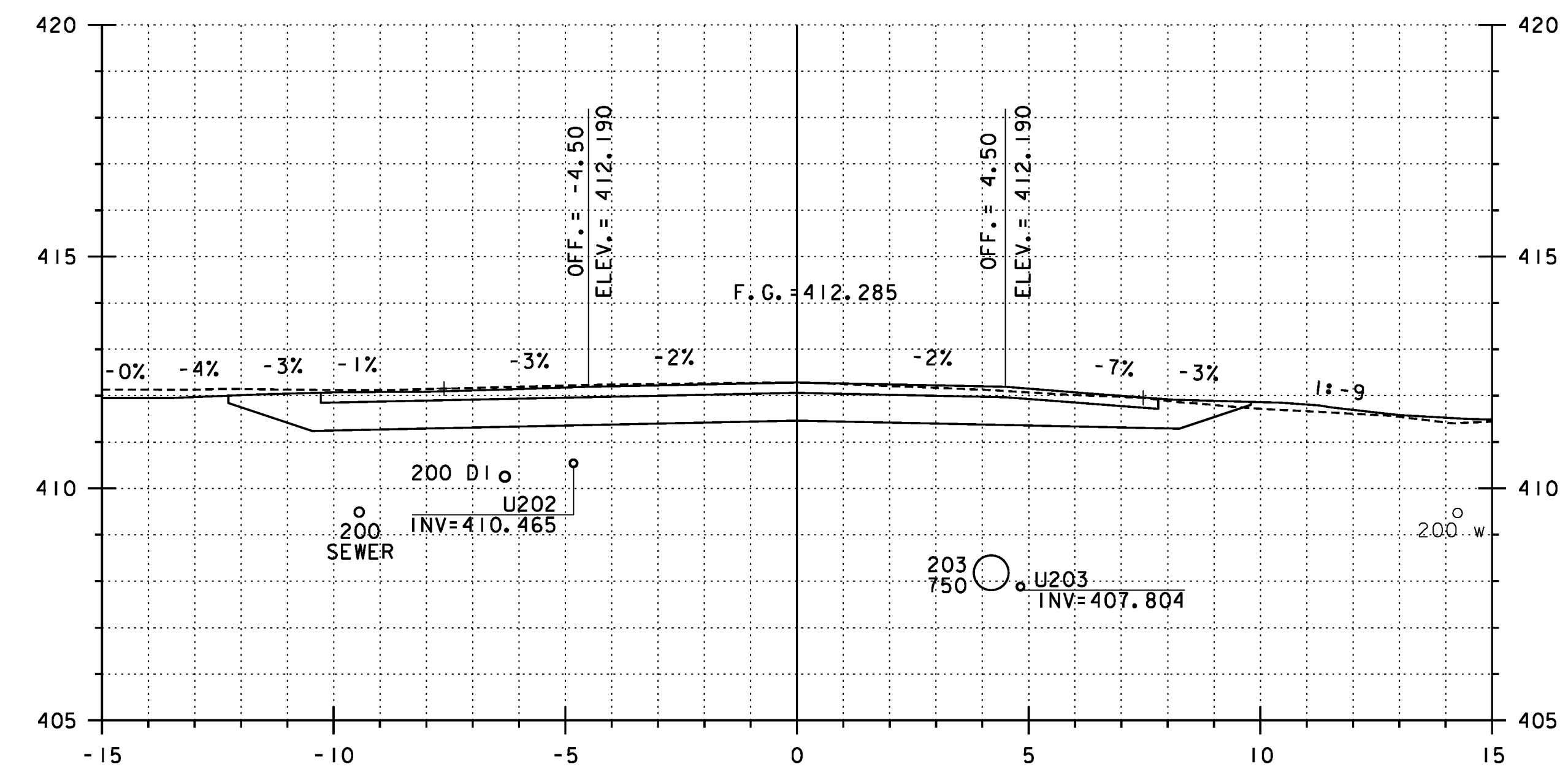
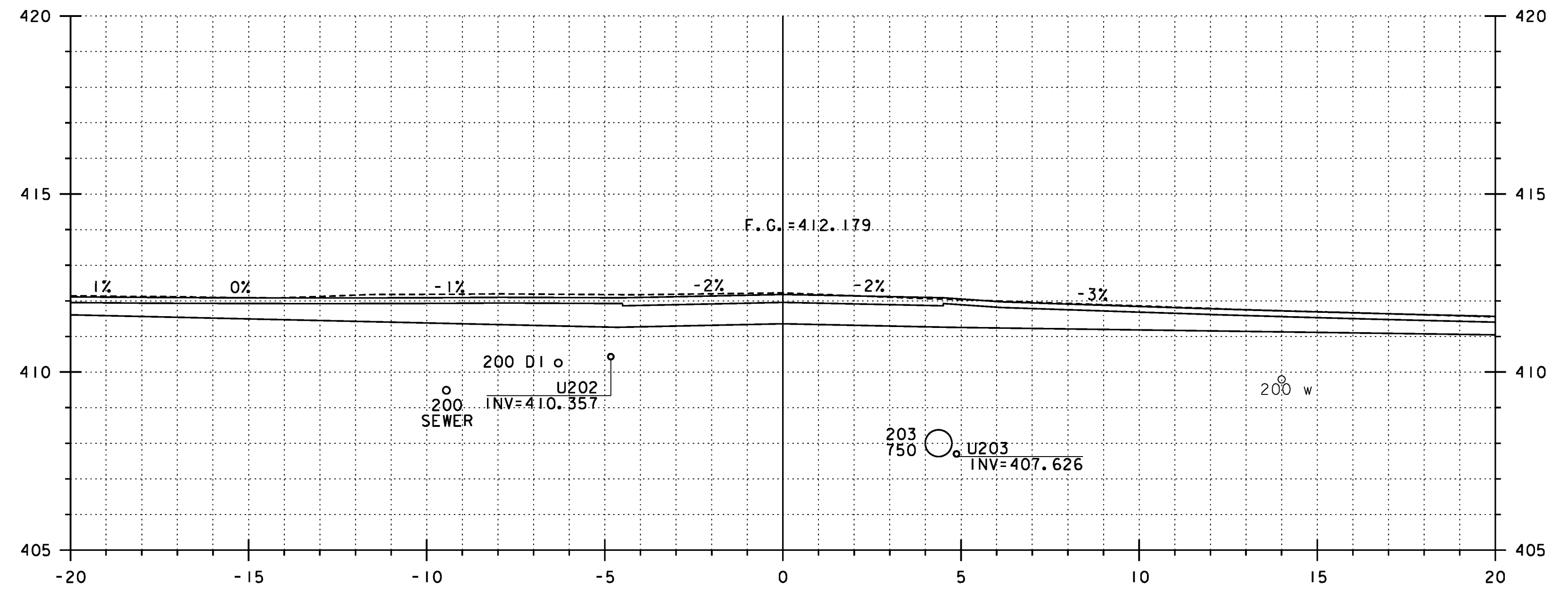


NOTE:
SEE FIRE DISTRICT WATER PLAN
FD-07 FOR WATERLINE/DRAINAGE
CONFLICT RESOLUTION.



U.S. ROUTE 2 STA. 19+434.495=
HIGHLAND AVENUE STA. 6+000.000
MOUNTAINVIEW DRIVE STA. 7+000.000



**REPLACEMENT SHEETS
ISSUED 02/24/12**

STA 19+400 TO 19+434.495

PROJECT NAME: DANVILLE
PROJECT NUMBER: F EGC 028-3(32)

FILE NAME: ...\\PlotFiles\133 XS-US2.10m.ptf PLOT DATE: 2/24/2012
DESIGN SUPERVISOR: GARY SANTY DRAWN BY: STANTEC
DESIGNED BY: STANTEC CHECKED BY: STANTEC
US ROUTE 2 CROSS SECTIONS - MLX-26 SHEET 250 OF 306

