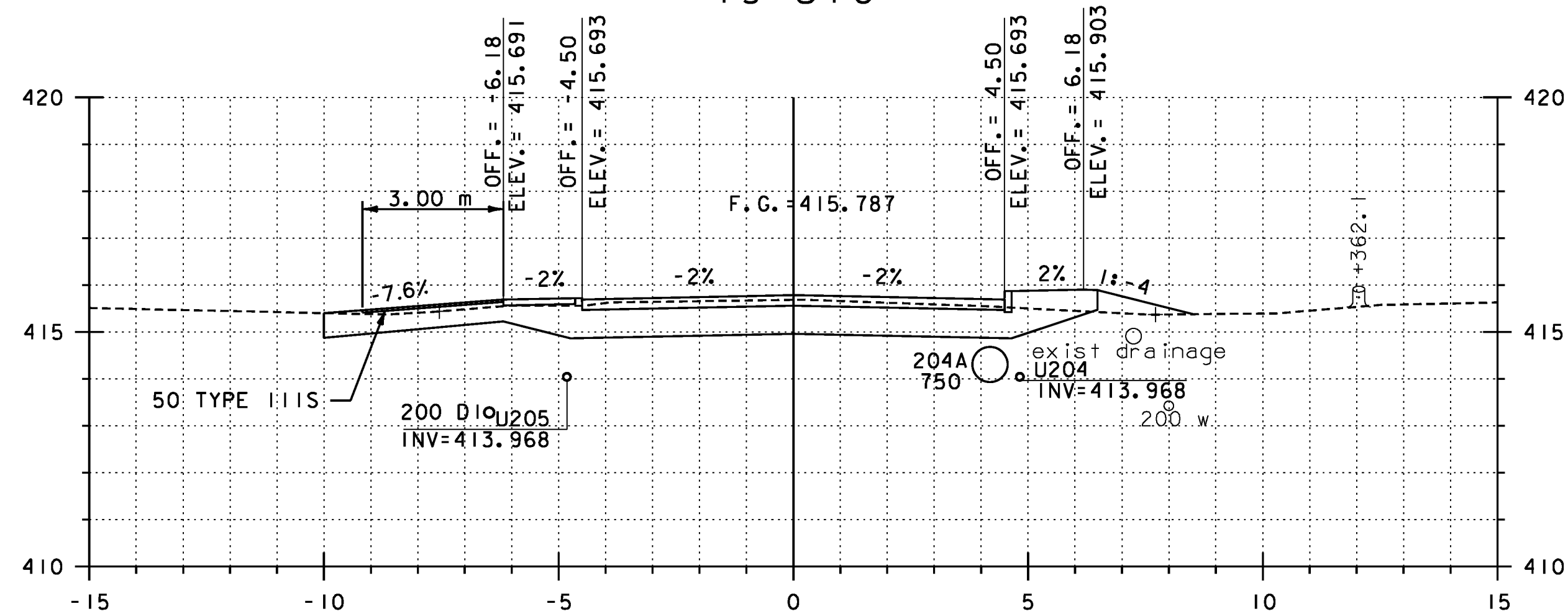
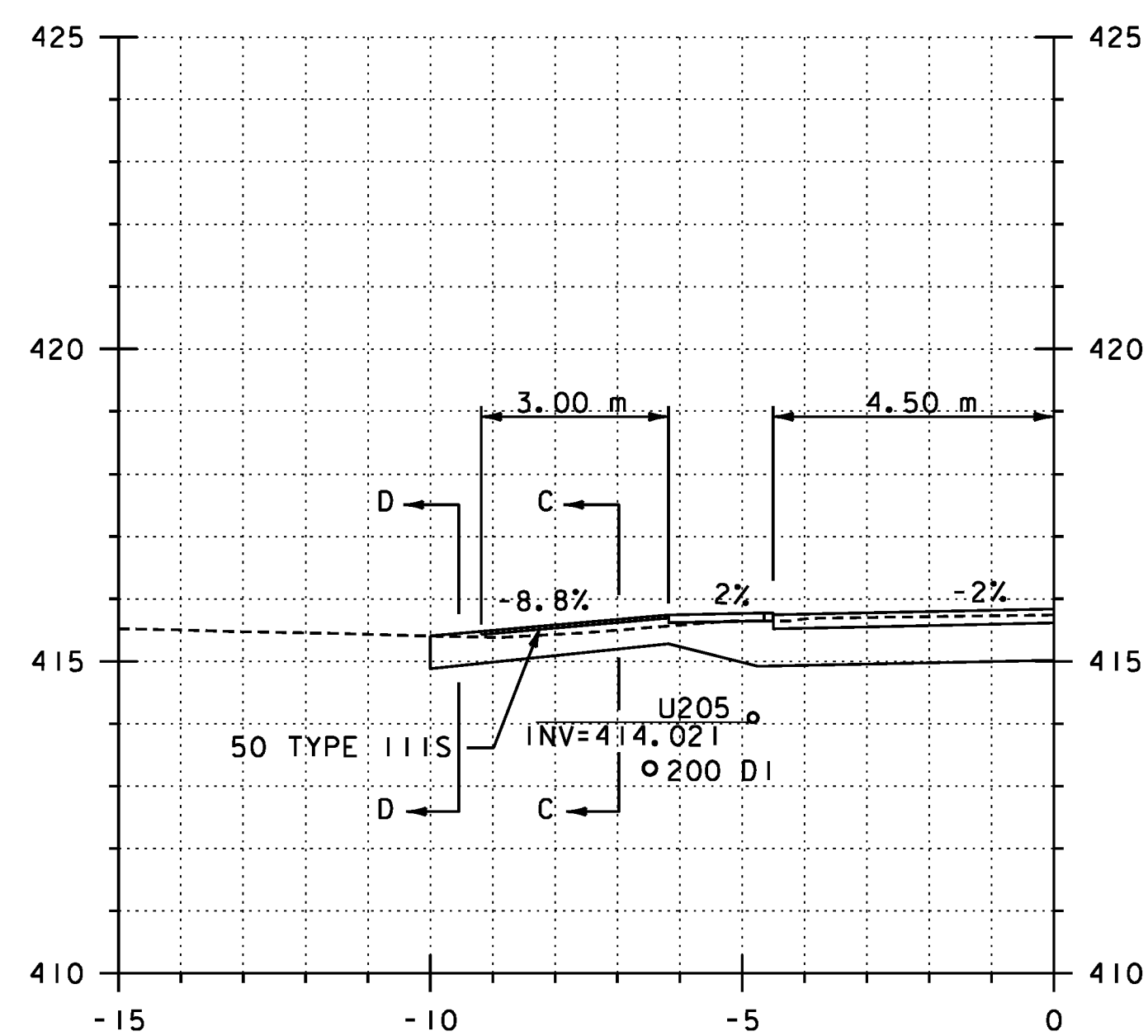


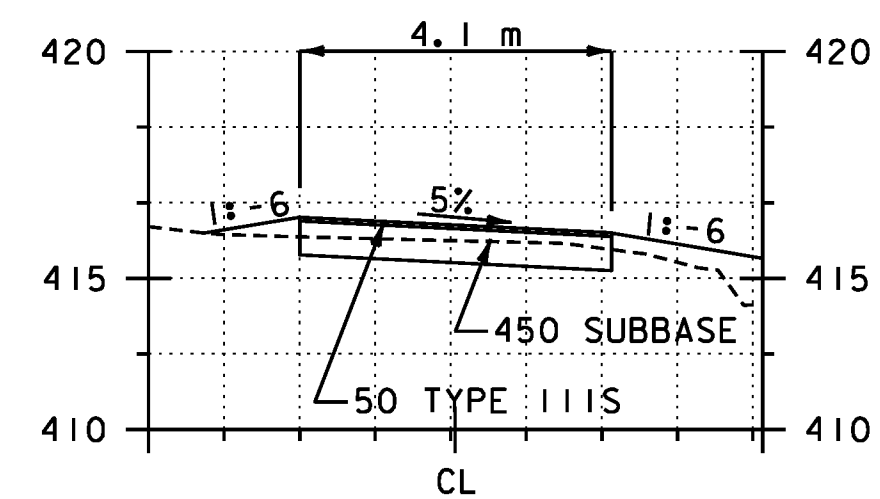
19+370



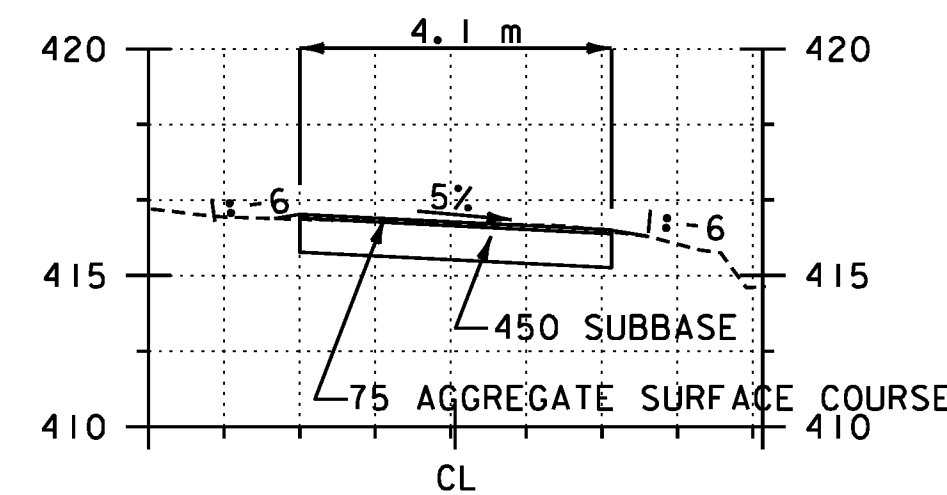
19+360



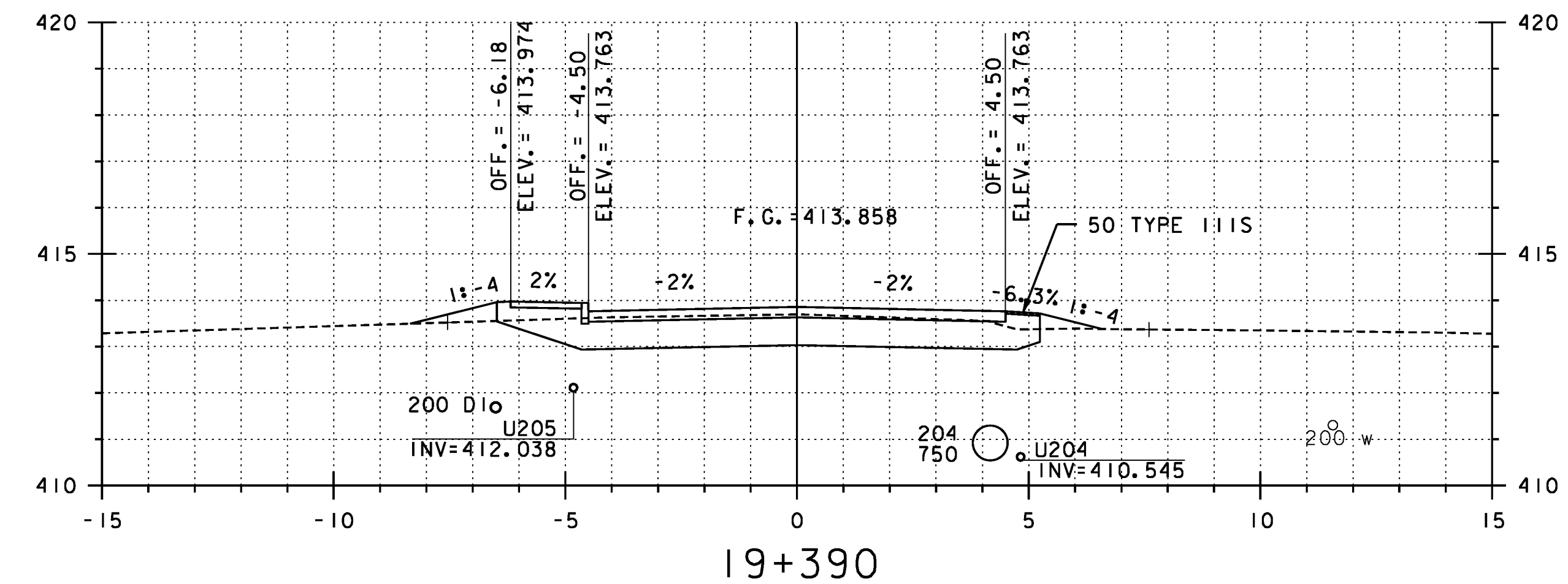
19+359.3  
GRAVEL, LT



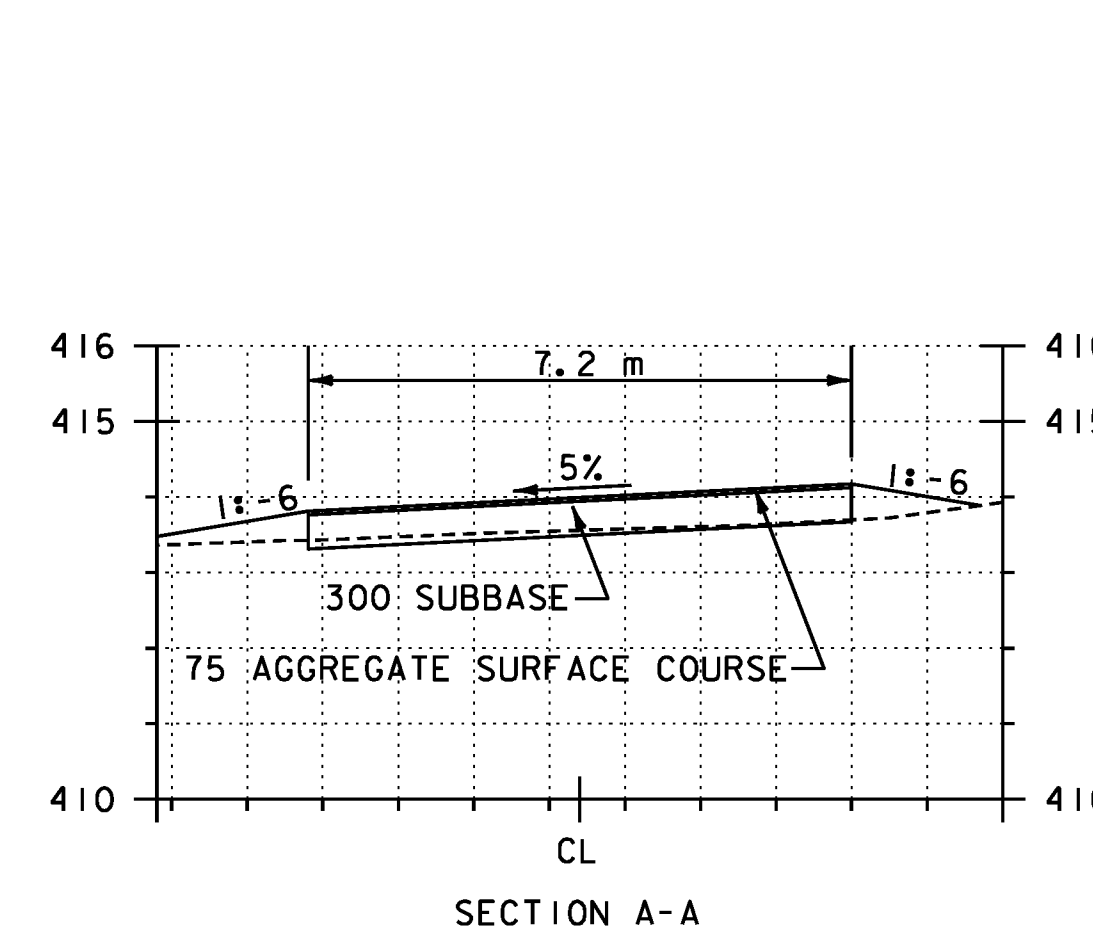
SECTION C-C



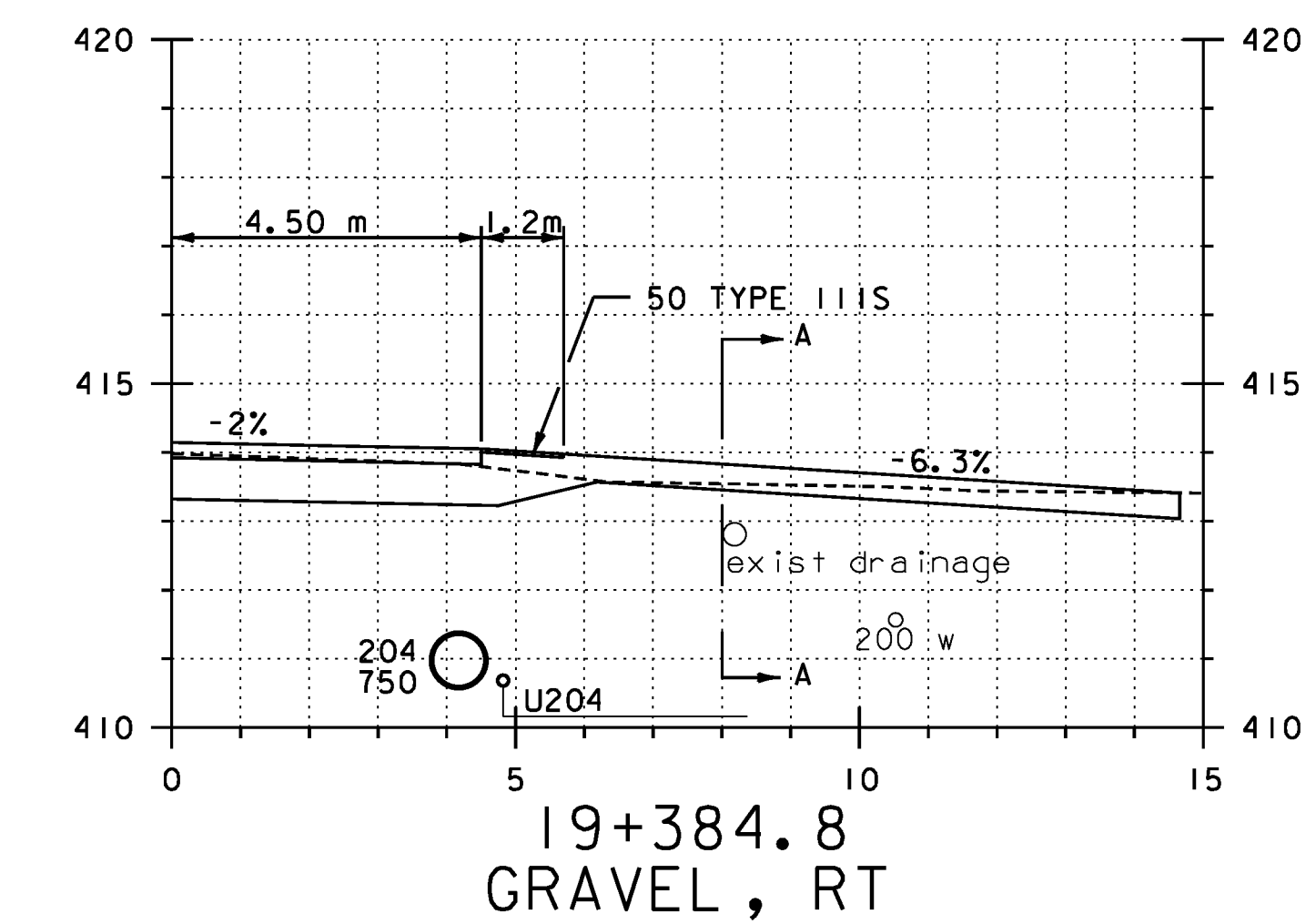
SECTION D-D



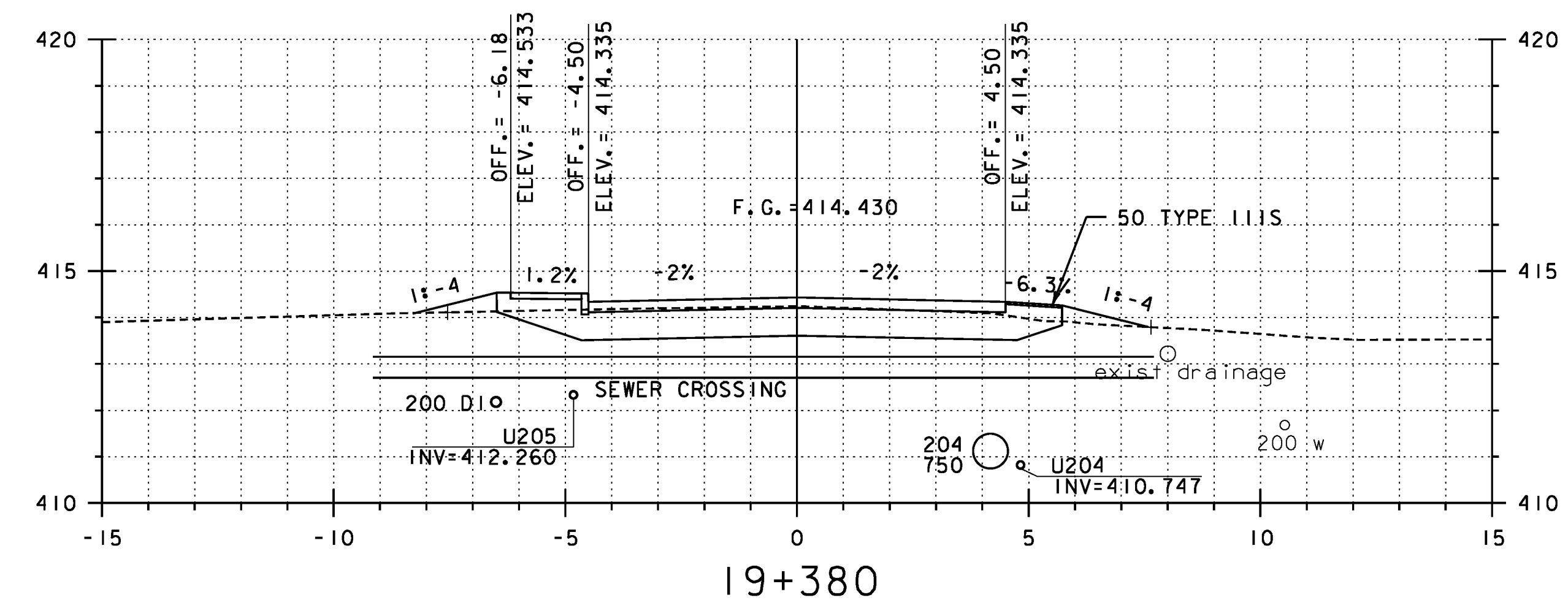
19+390



SECTION A-A



19+384.8  
GRAVEL, RT



19+380

**REPLACEMENT SHEETS  
ISSUED 02/24/12**

STA 19+359.3 TO 19+390

PROJECT NAME: DANVILLE  
PROJECT NUMBER: F EGC 028-3(32)

FILE NAME: ...\\PlotFiles\133 XS-US2.10m.ptf PLOT DATE: 2/24/2012  
DESIGN SUPERVISOR: GARY SANTY DRAWN BY: STANTEC  
DESIGNED BY: STANTEC CHECKED BY: STANTEC  
US ROUTE 2 CROSS SECTIONS - MLX-25 SHEET 249 OF 306

