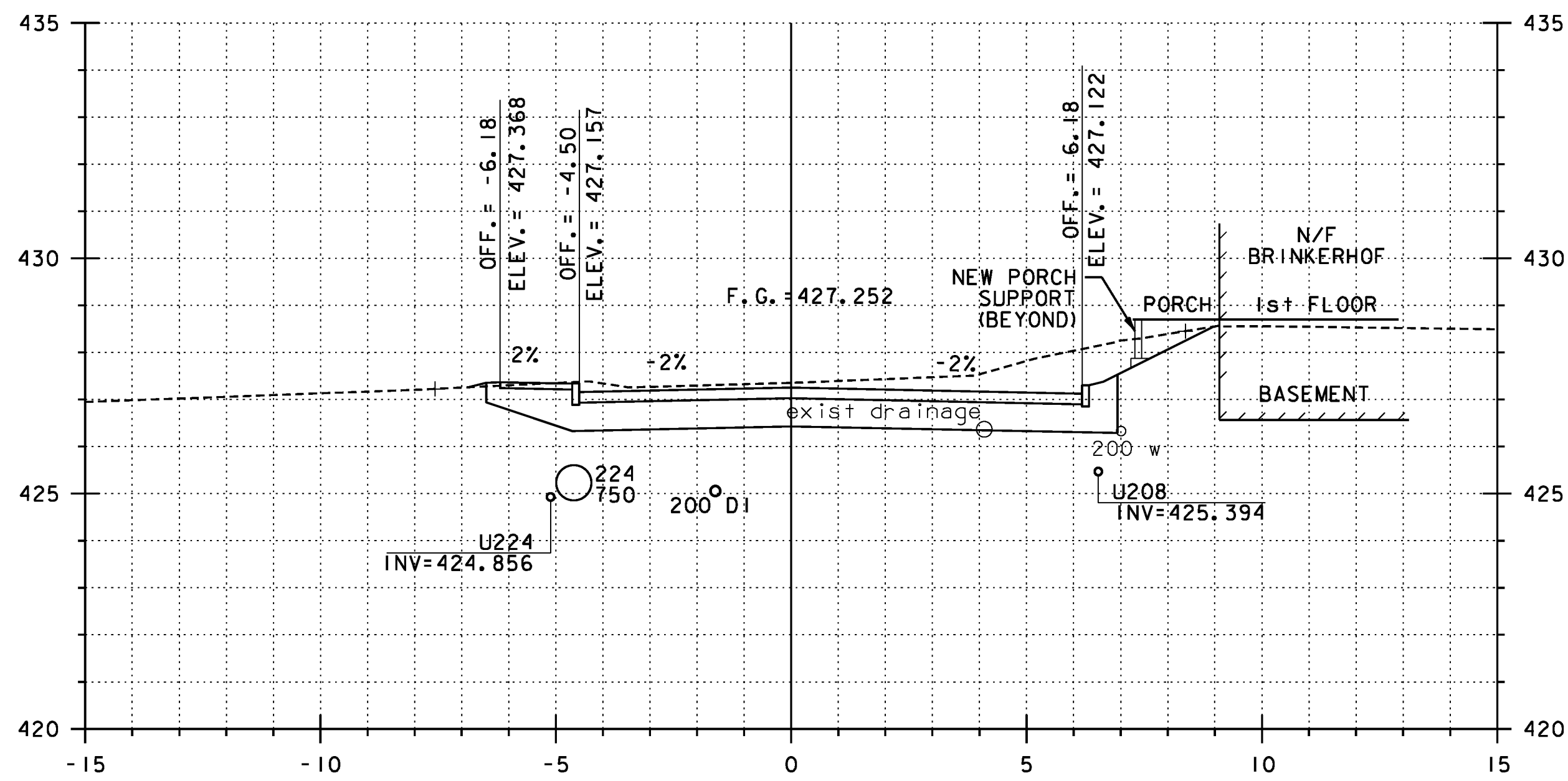
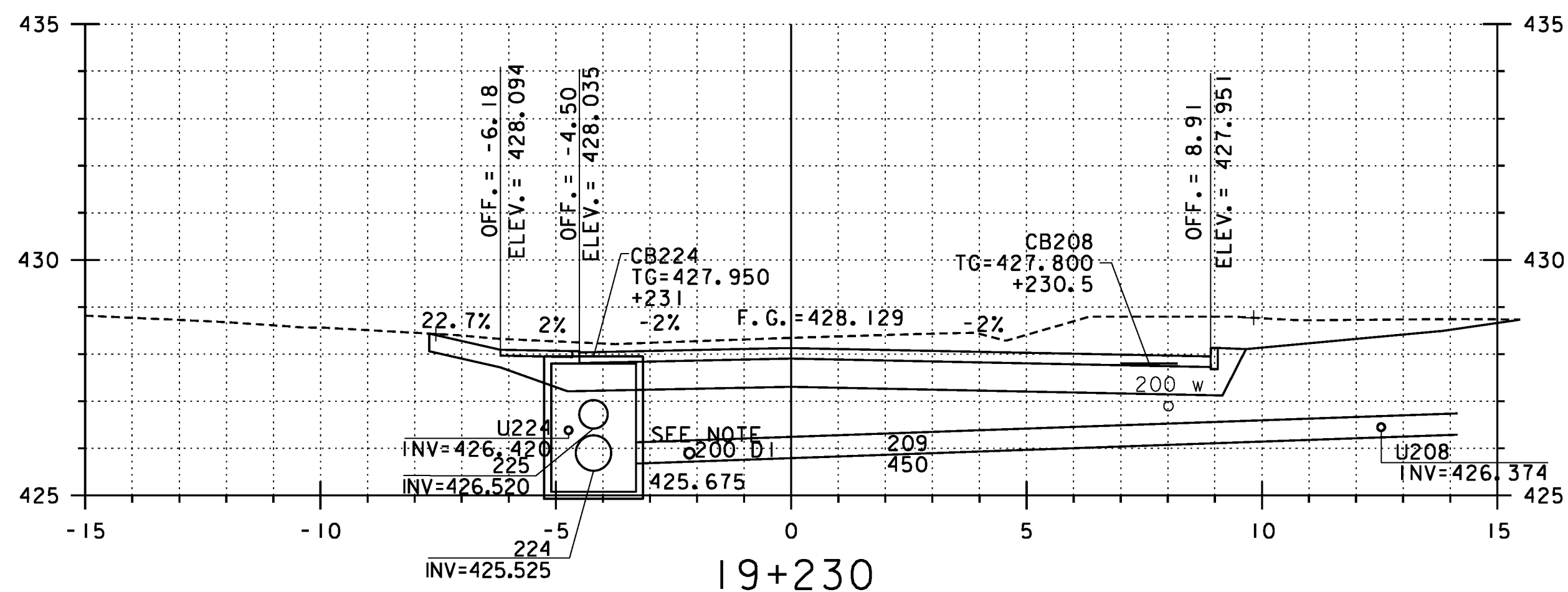


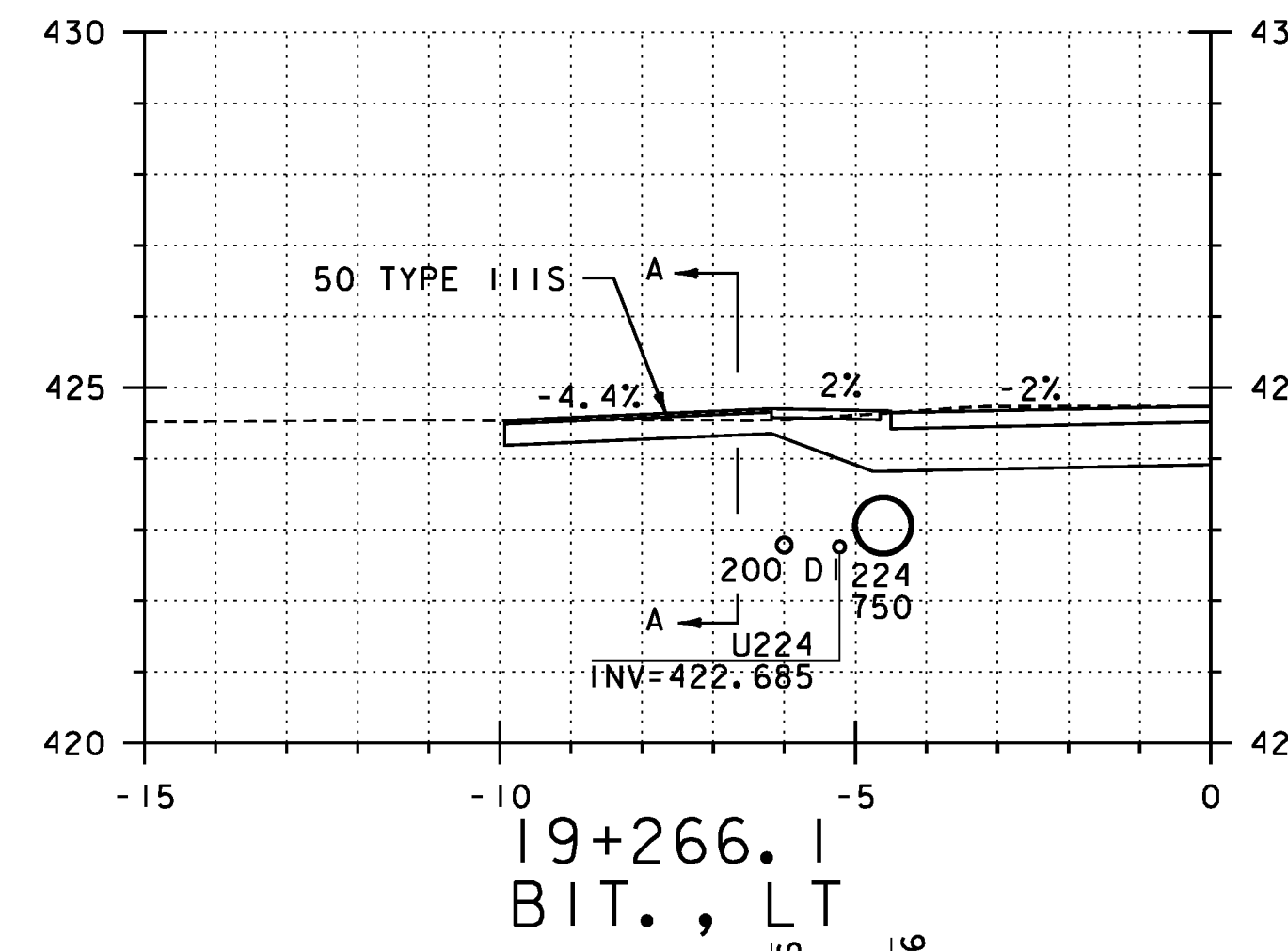
19+250



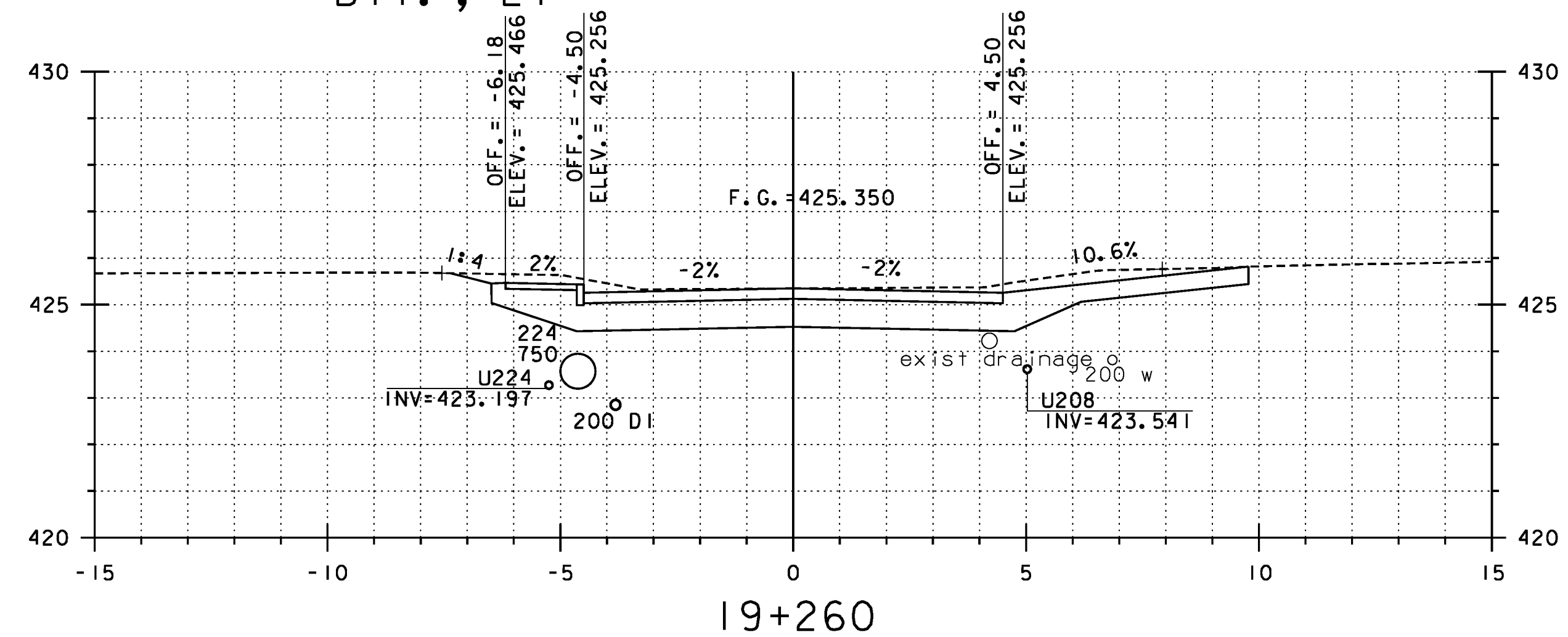
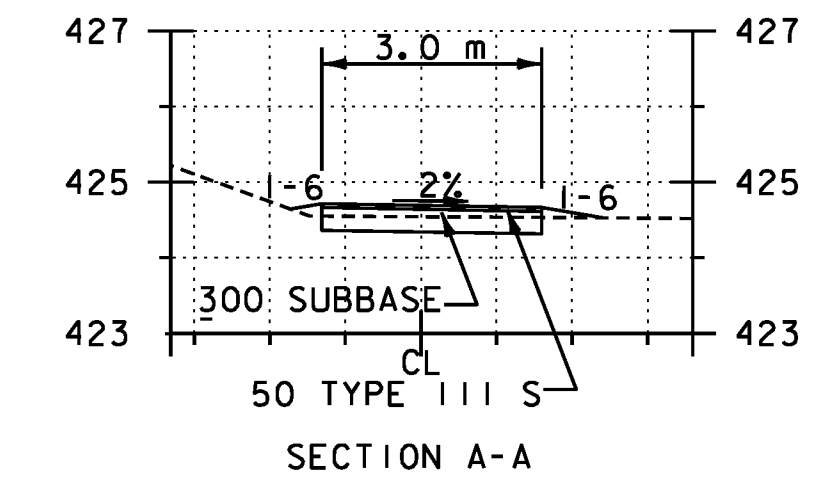
19+240



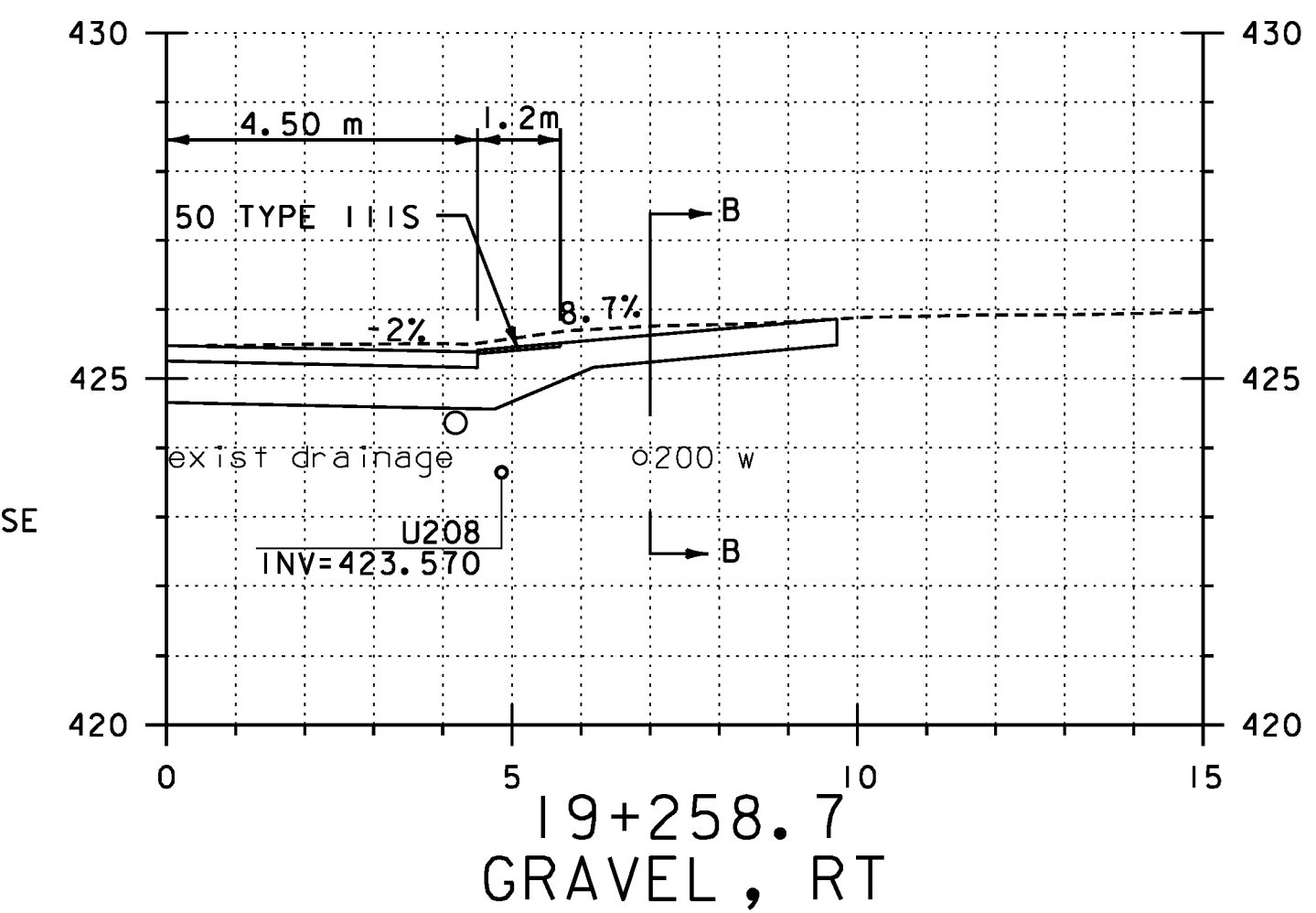
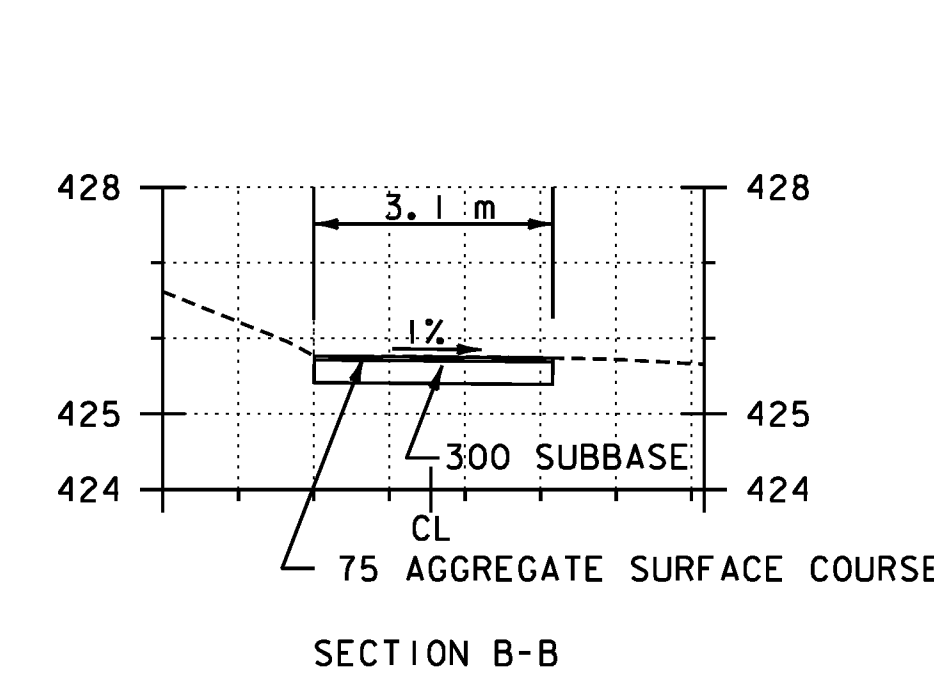
19+230



19+266.1
BIT., LT



19+260



**REPLACEMENT SHEETS
ISSUED 02/24/12**

PROJECT NAME: DANVILLE
PROJECT NUMBER: F EGC 028-3(32)

FILE NAME: ...\\PlotFiles\133 XS-US2.10m.ptf PLOT DATE: 2/24/2012
DESIGN SUPERVISOR: GARY SANTY DRAWN BY: STANTEC
DESIGNED BY: STANTEC CHECKED BY: STANTEC
US ROUTE 2 CROSS SECTIONS - MLX-22 SHEET 246 OF 306

STA 19+230 TO 19+266.1

NOTE:
SEE FIRE DISTRICT WATER PLAN
FD-06 FOR WATERLINE/DRAINAGE
CONFLICT RESOLUTION.

