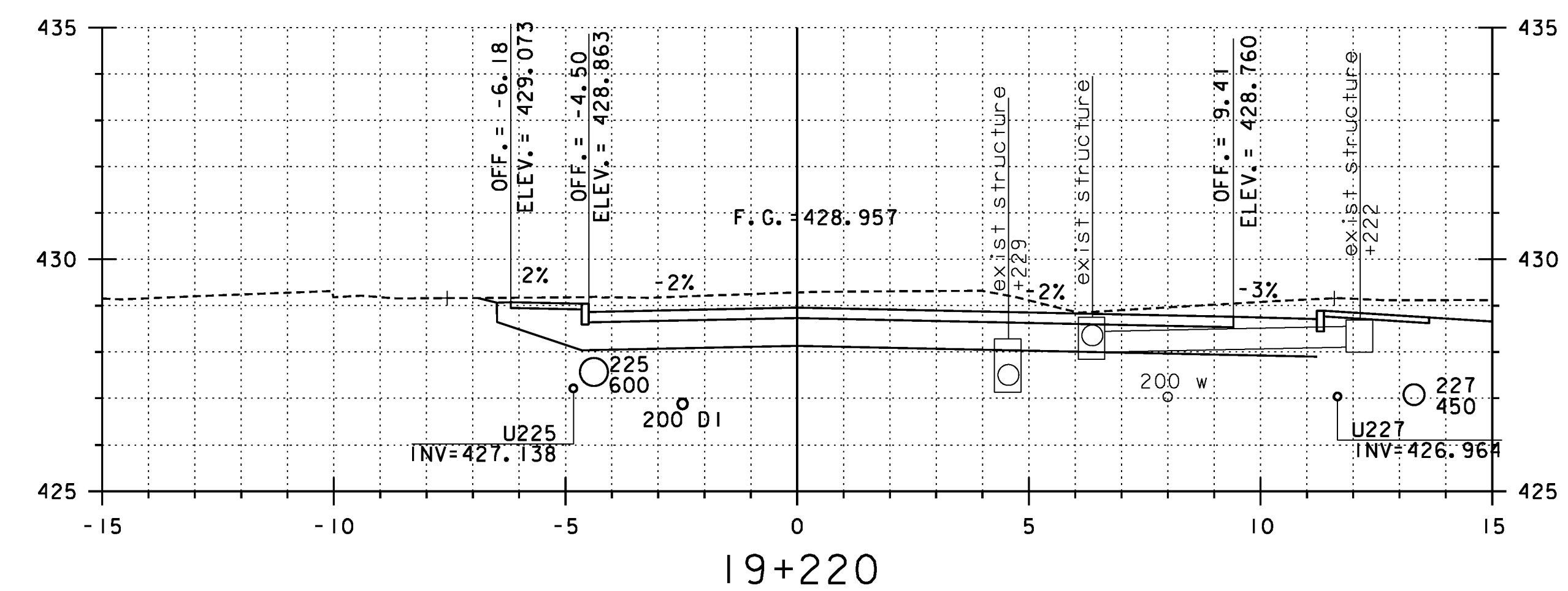
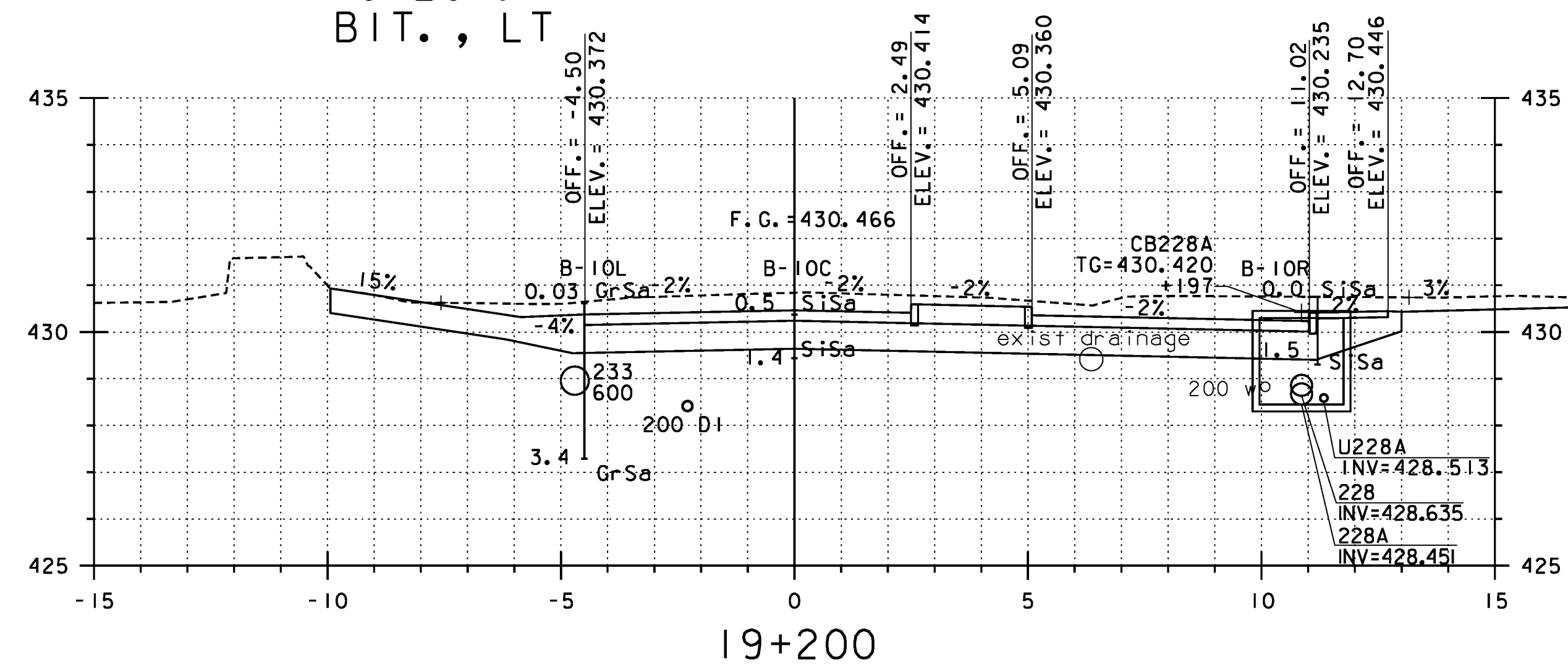
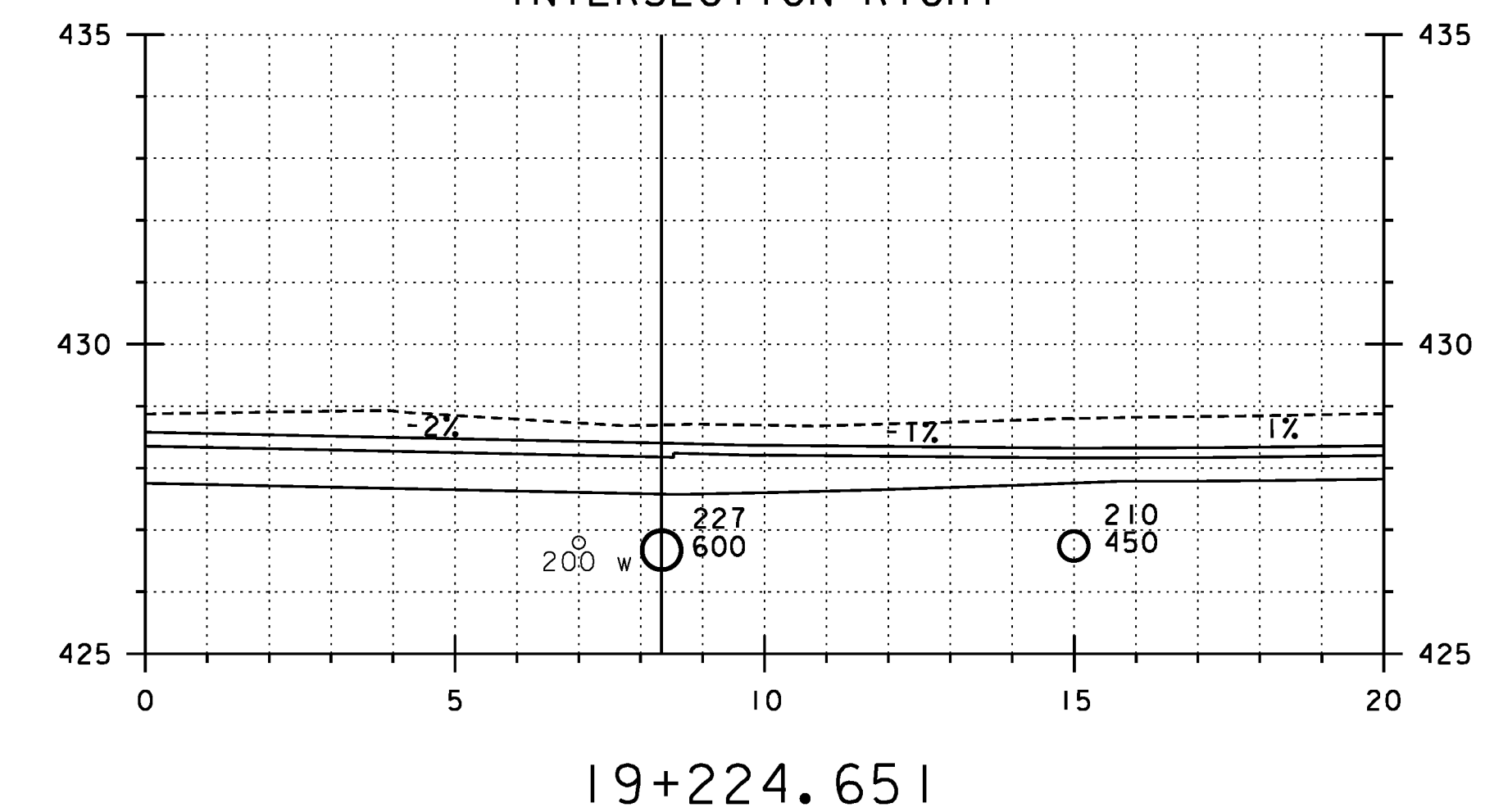
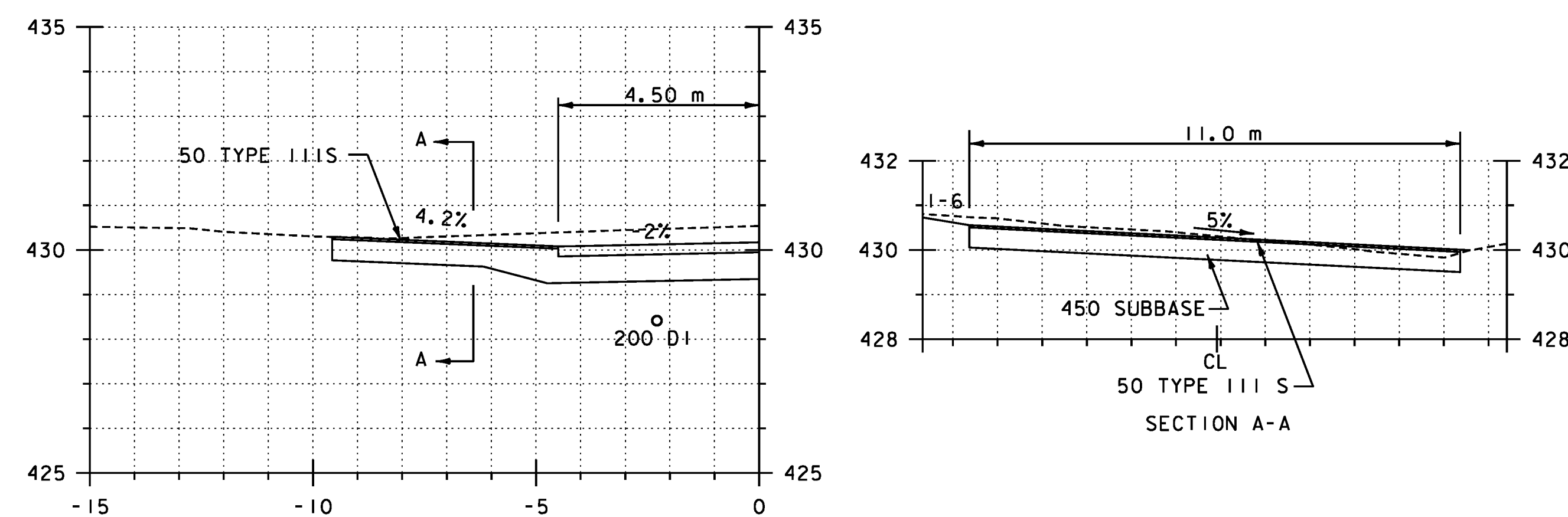


U.S. ROUTE 2 STA. 19+224.651 = SMITH STREET STA. 5+000.000 INTERSECTION RIGHT



**REPLACEMENT SHEETS
 ISSUED 02/24/12**

STA 19+200 TO 19+226.6

PROJECT NAME: DANVILLE
 PROJECT NUMBER: F EGC 028-3(32)
 FILE NAME: ...\\PlotFiles\133 XS-US2.10m.ptf
 DESIGN SUPERVISOR: GARY SANTY
 DESIGNED BY: STANTEC
 US ROUTE 2 CROSS SECTIONS - MLX-21

PLOT DATE: 2/24/2012
 DRAWN BY: STANTEC
 CHECKED BY: STANTEC
 SHEET 245 OF 306

NOTE:
 SEE FIRE DISTRICT WATER PLAN
 FD-06 FOR WATER LINE/DRAINAGE
 CONFLICT RESOLUTION.

