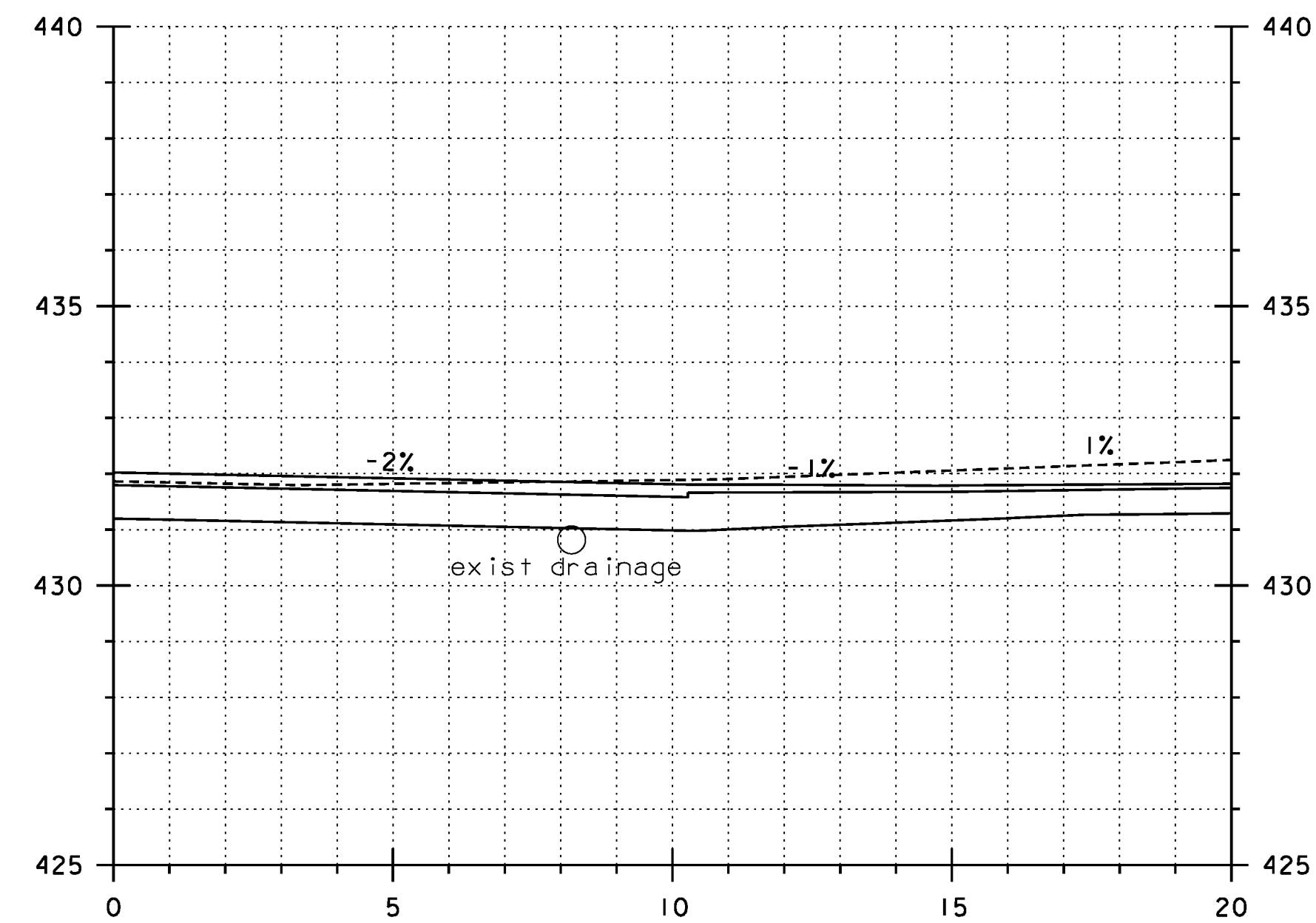
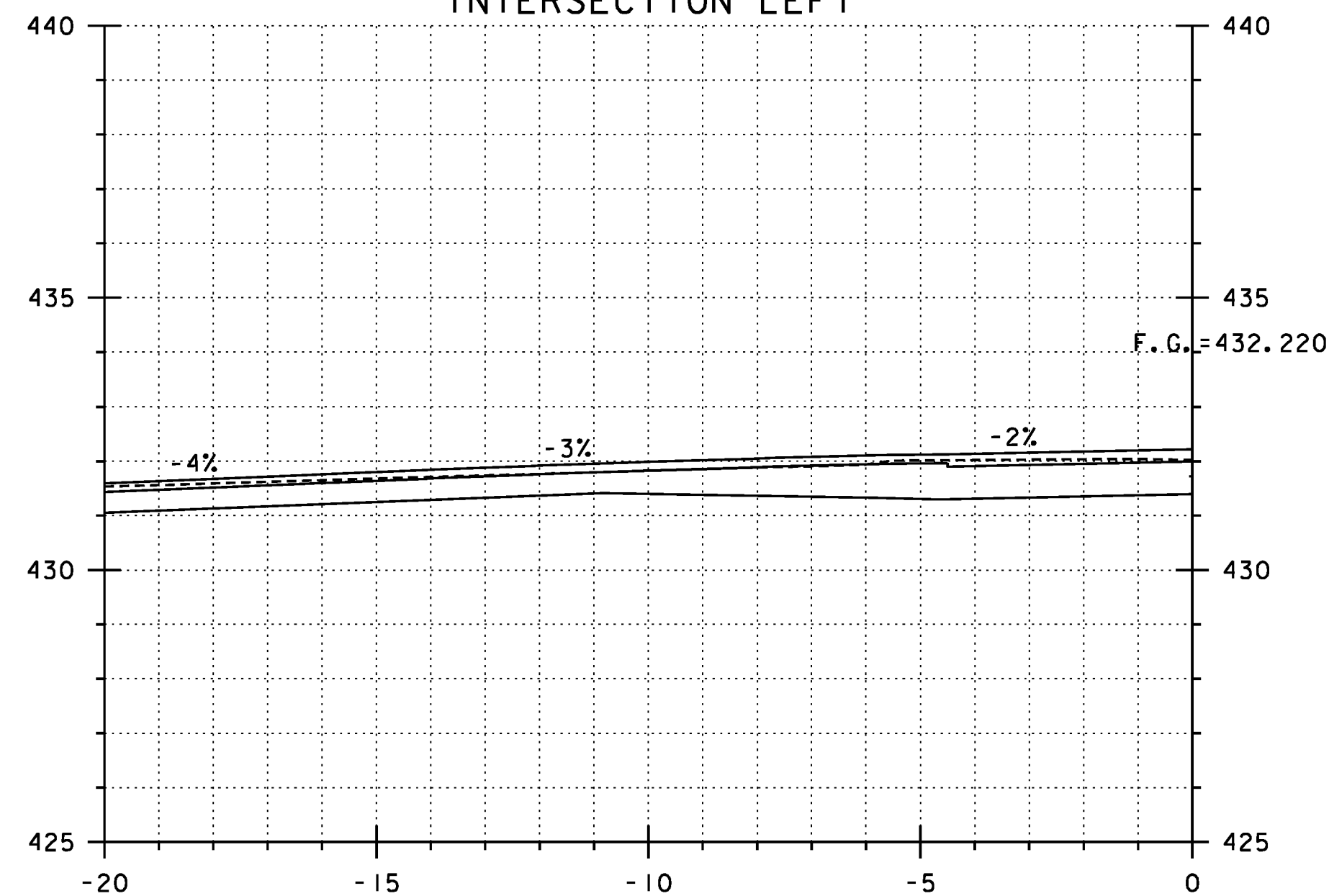


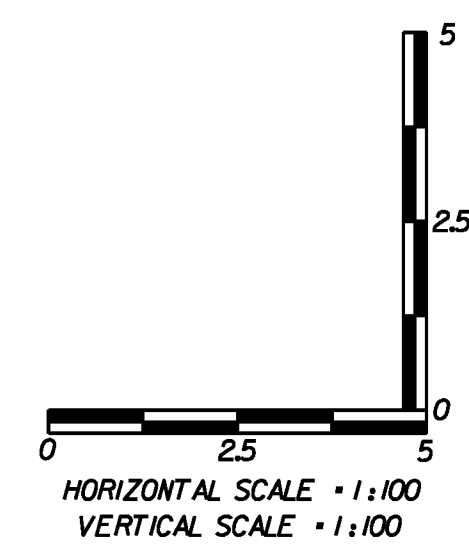
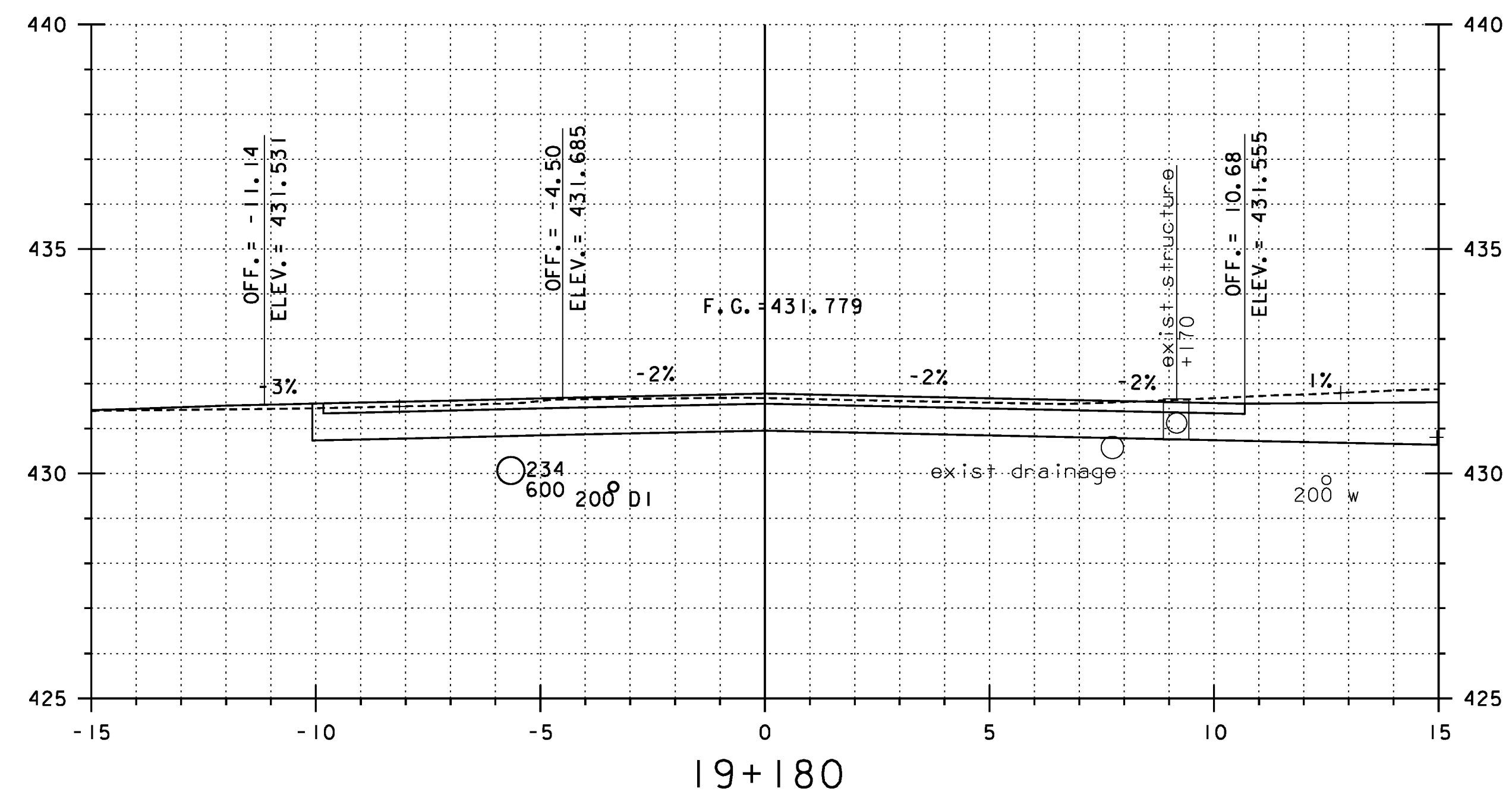
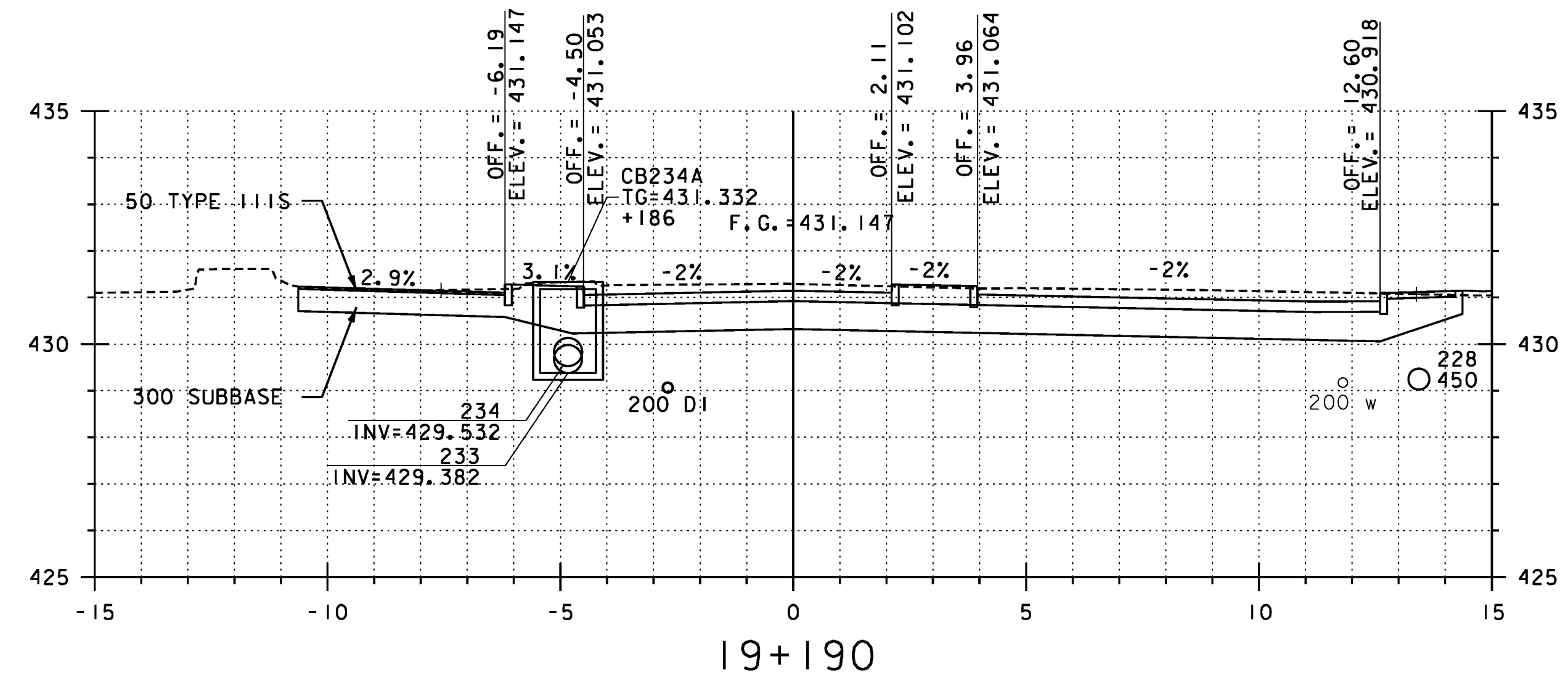
U.S. ROUTE 2 STA. 19+175.919=  
PEACHAM ROAD STA. 4+000.000  
INTERSECTION RIGHT



U.S. ROUTE 2 STA. 19+172.500=  
HILL STREET STA. 3+000.000  
INTERSECTION LEFT



19+172.000



**REPLACEMENT SHEETS  
ISSUED 02/24/12**

STA 19+172.0 TO 19+190

PROJECT NAME: DANVILLE  
PROJECT NUMBER: F EGC 028-3(32)

FILE NAME: ...\\PlotFiles\133 XS-US2.10m.ptf PLOT DATE: 2/24/2012  
DESIGN SUPERVISOR: GARY SANTY DRAWN BY: STANTEC  
DESIGNED BY: STANTEC CHECKED BY: STANTEC  
US ROUTE 2 CROSS SECTIONS - MLX-20 SHEET 244 OF 306

