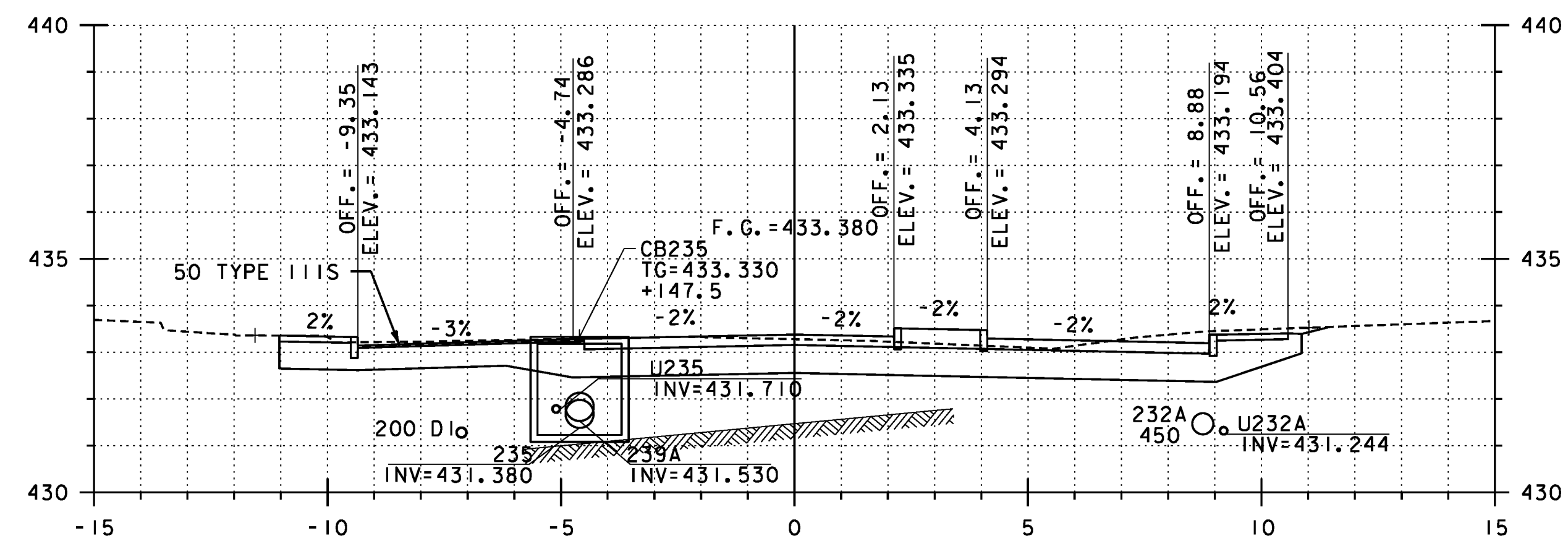
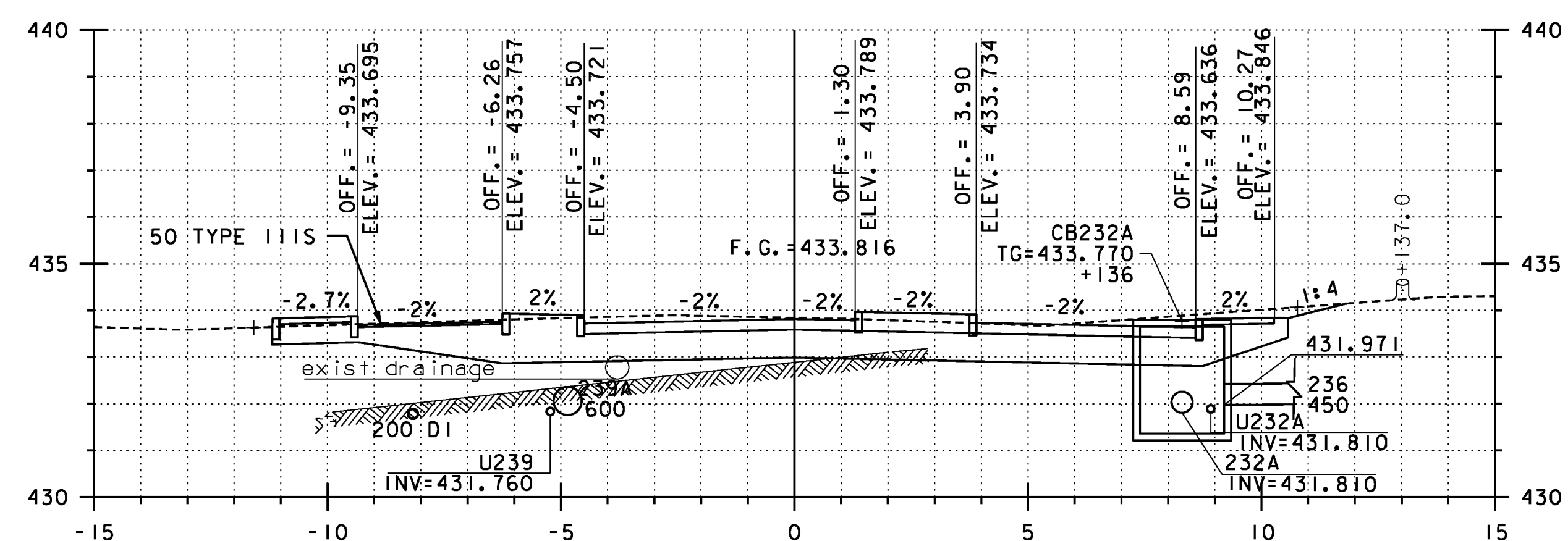


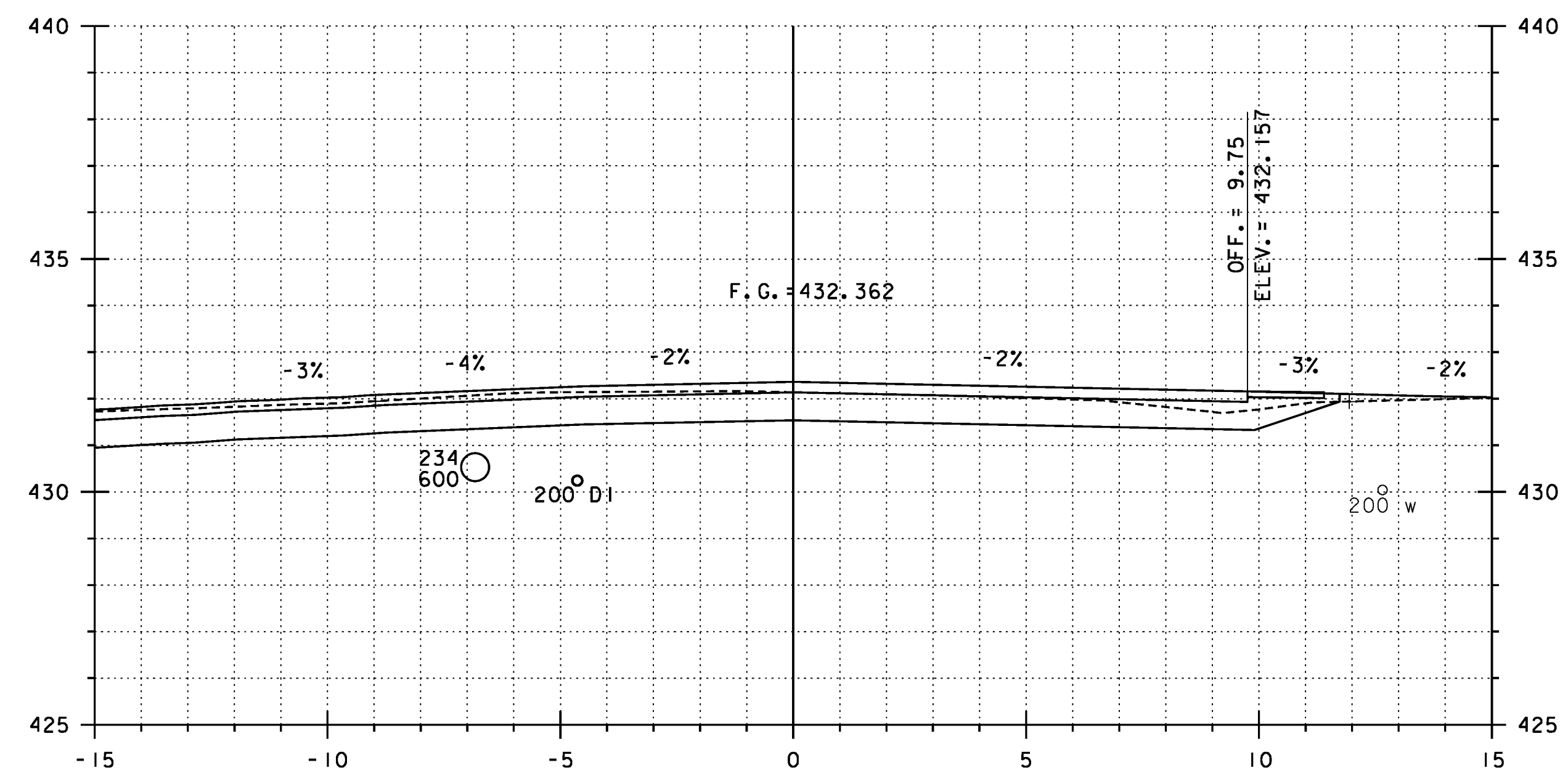
19+156.2
BIT., LT



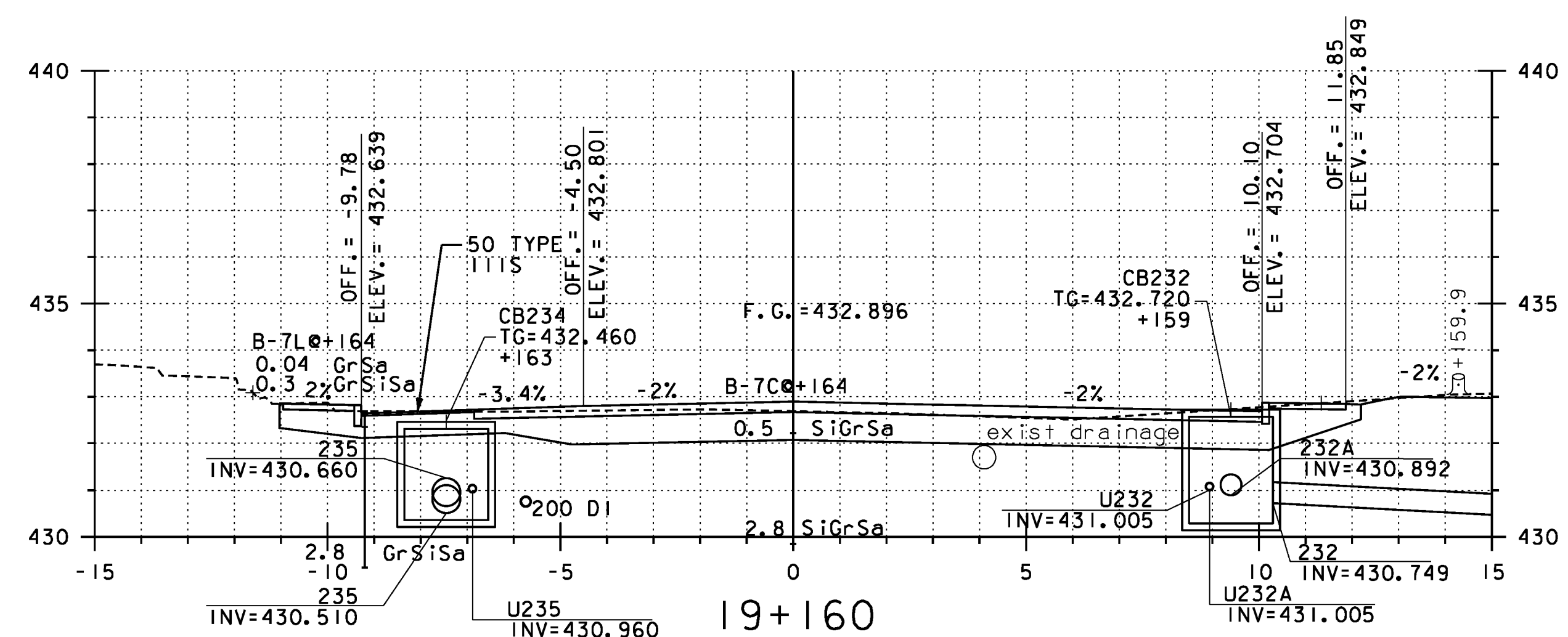
19+150



19+140



19+170



19+160

**REPLACEMENT SHEETS
ISSUED 02/24/12**

STA 19+140 TO 19+170

PROJECT NAME: DANVILLE
PROJECT NUMBER: F EGC 028-3(32)

FILE NAME: ...\\PlotFiles\133 XS-US2.10m.ptf PLOT DATE: 2/24/2012
DESIGN SUPERVISOR: GARY SANTY DRAWN BY: STANTEC
DESIGNED BY: STANTEC CHECKED BY: STANTEC
US ROUTE 2 CROSS SECTIONS - MLX-19 SHEET 243 OF 306

