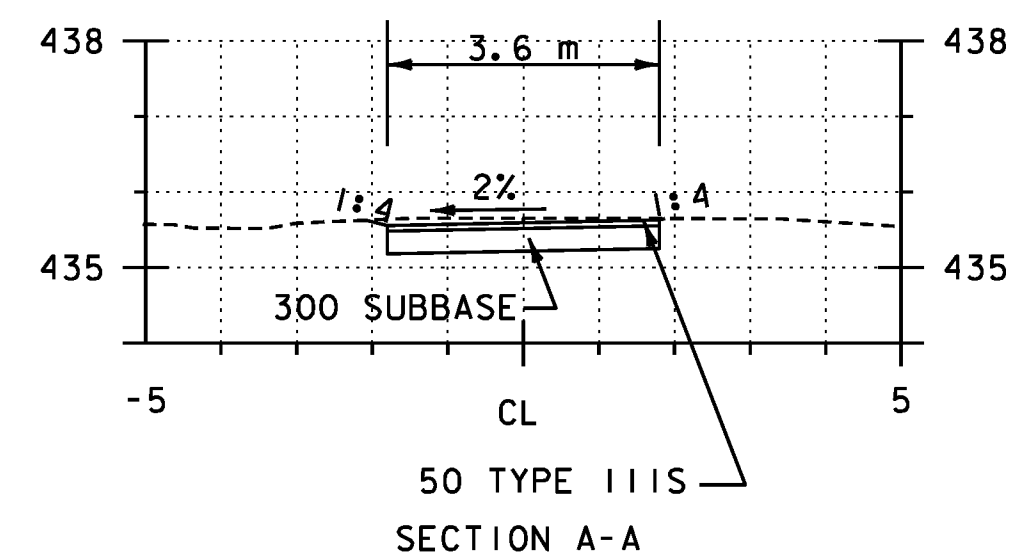
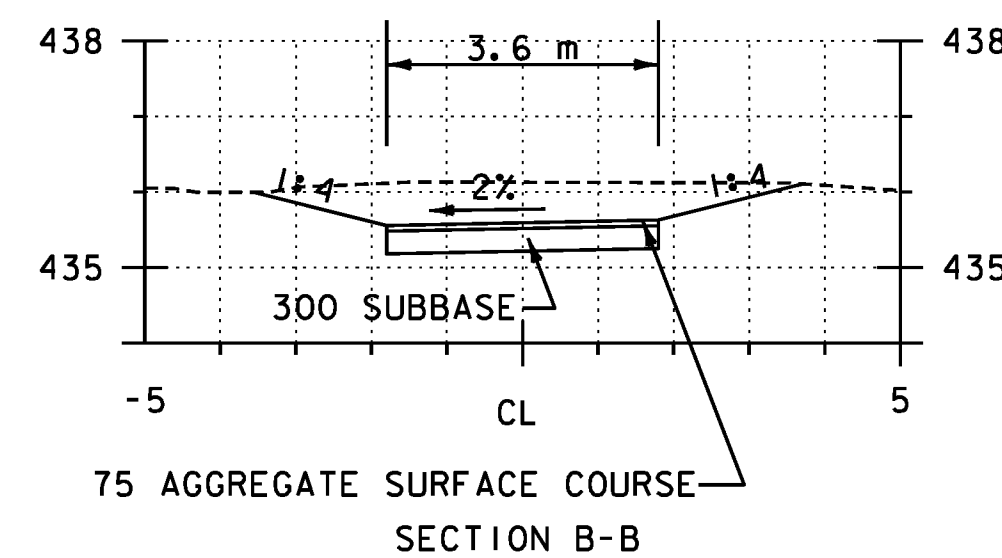


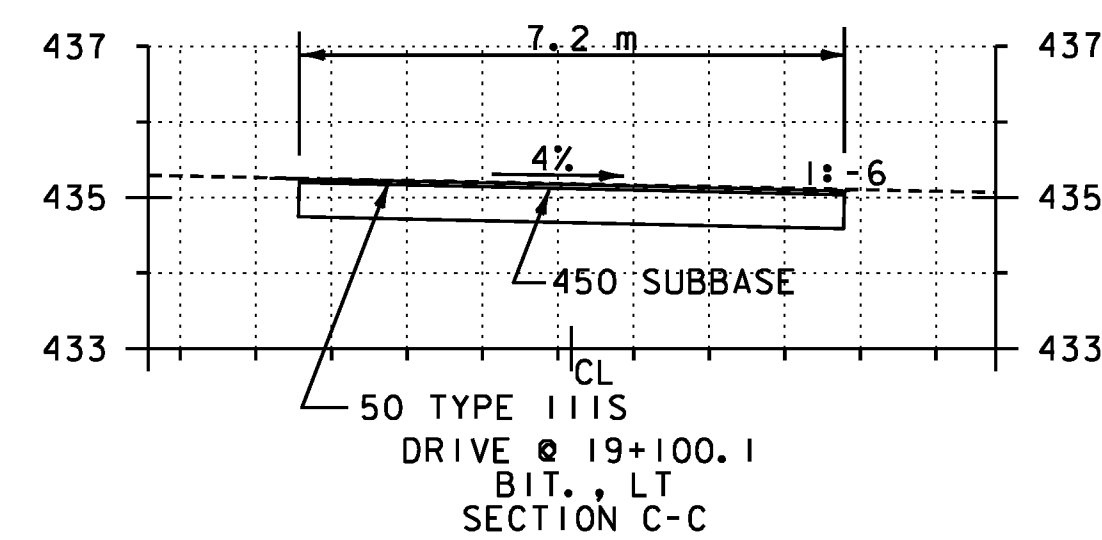
19+090



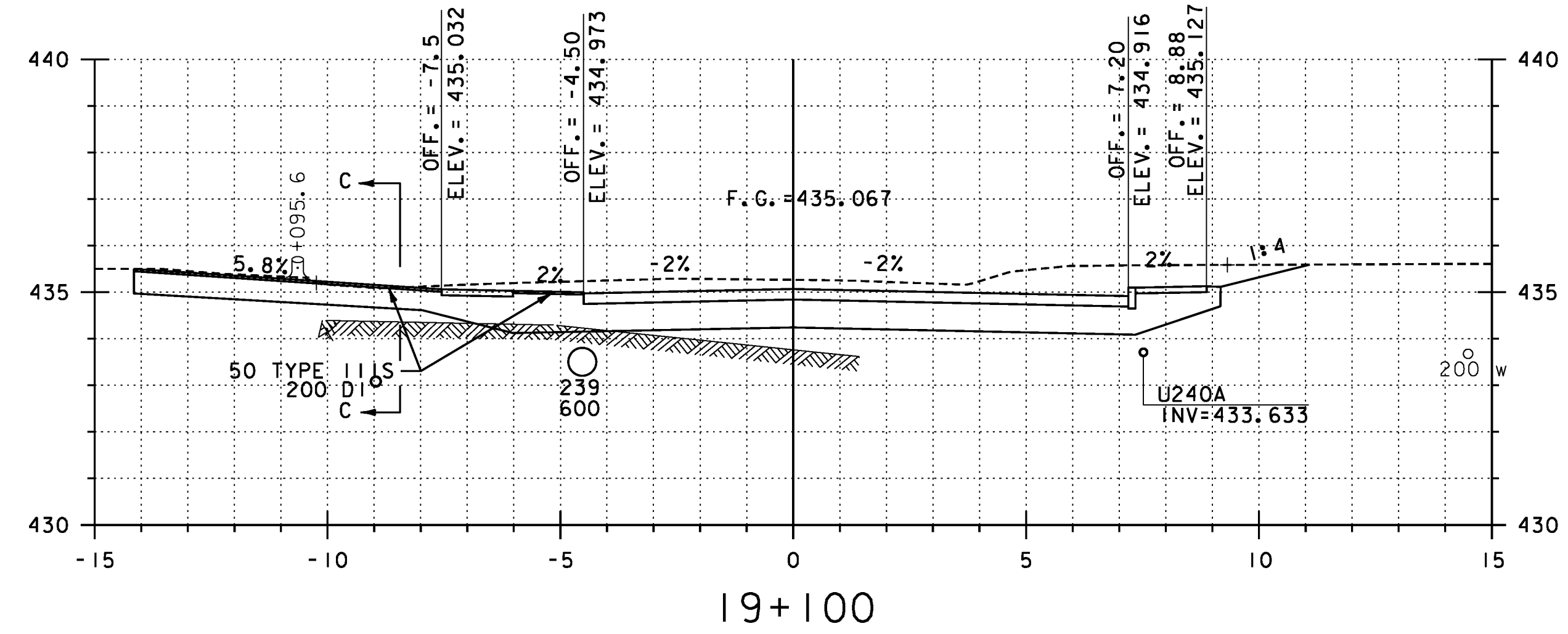
SECTION A-A



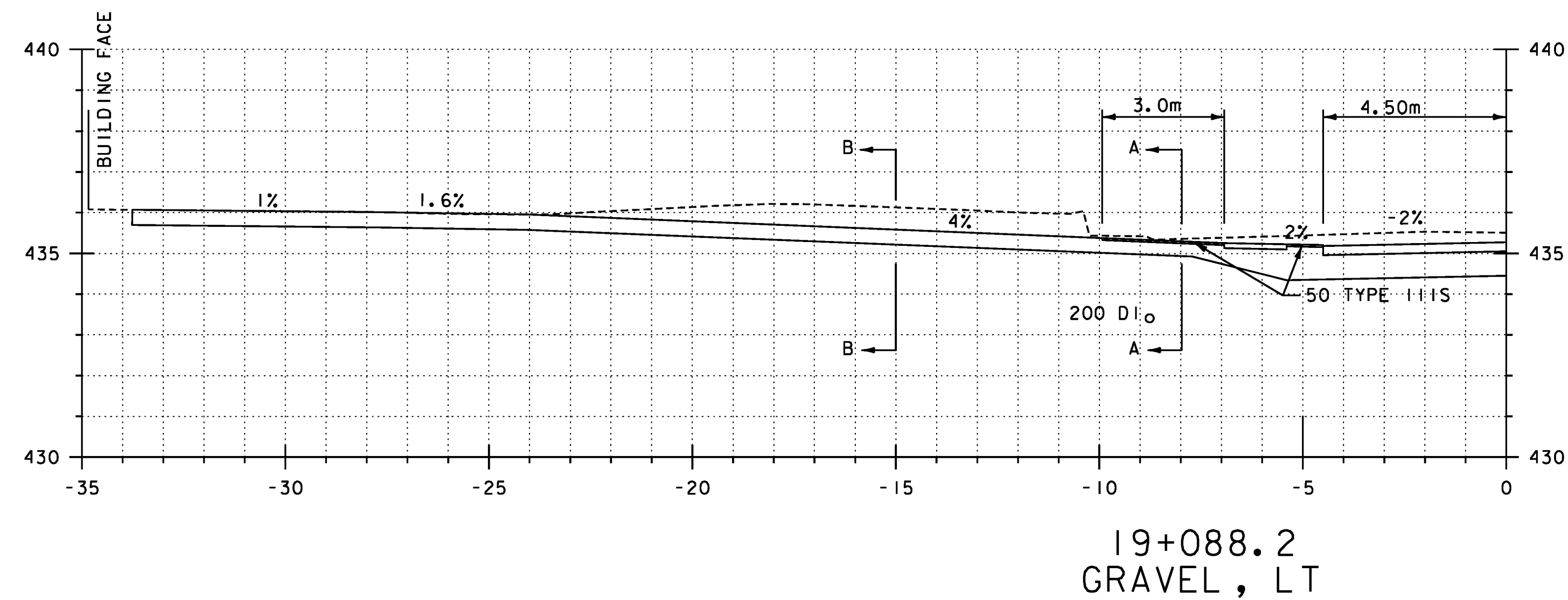
SECTION B-B



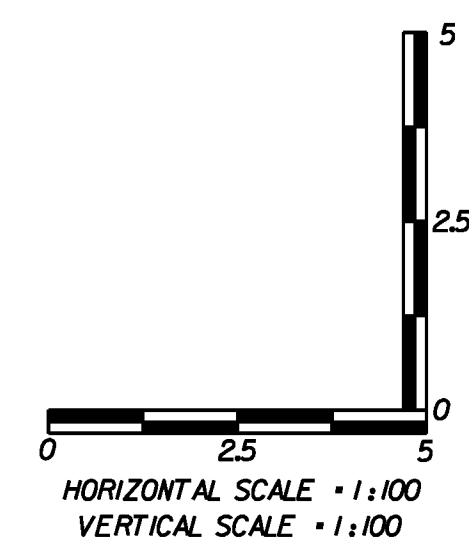
SECTION C-C



19+100



19+088.2
GRAVEL, LT



**REPLACEMENT SHEETS
ISSUED 02/24/12**

STA 19+088.2 TO 19+100

PROJECT NAME: DANVILLE
PROJECT NUMBER: F EGC 028-3(32)

FILE NAME: ...\\PlotFiles\133 XS-US2.10m.ptf PLOT DATE: 2/24/2012
DESIGN SUPERVISOR: GARY SANTY DRAWN BY: STANTEC
DESIGNED BY: STANTEC CHECKED BY: STANTEC
US ROUTE 2 CROSS SECTIONS - MLX-17 SHEET 241 OF 306

