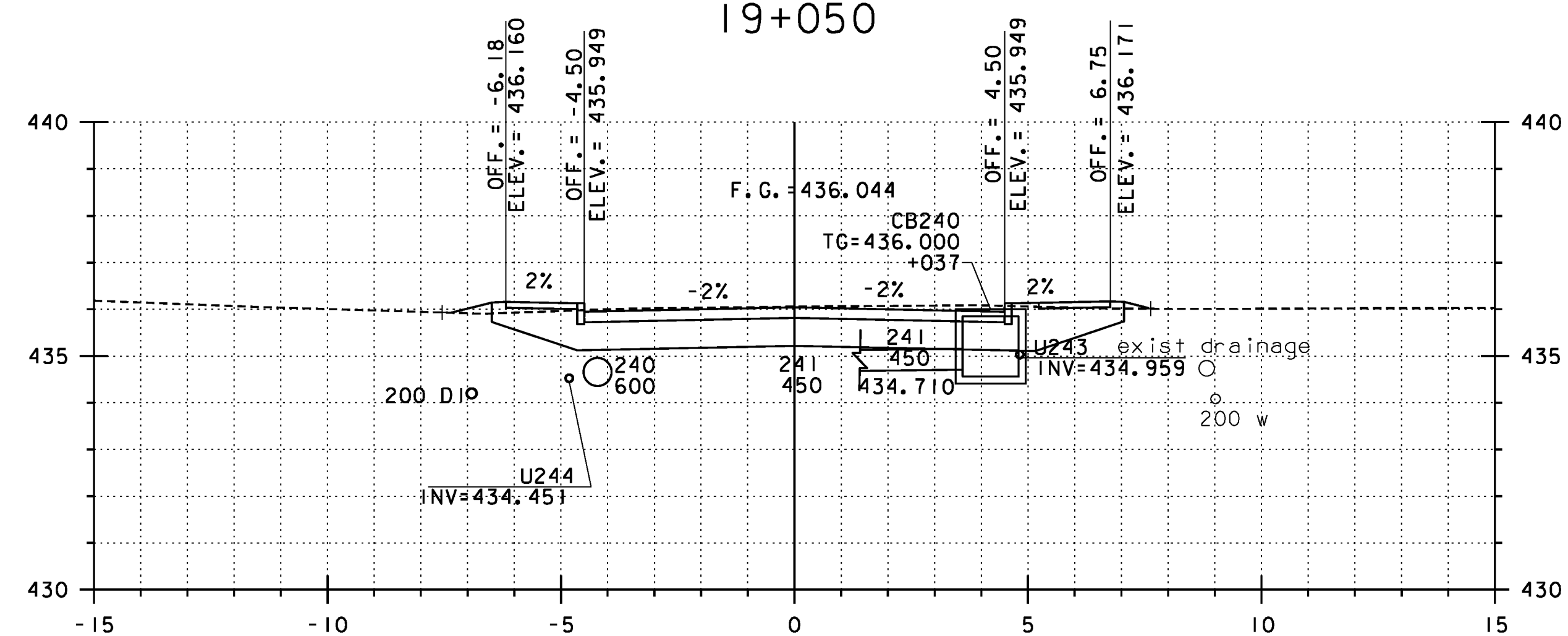
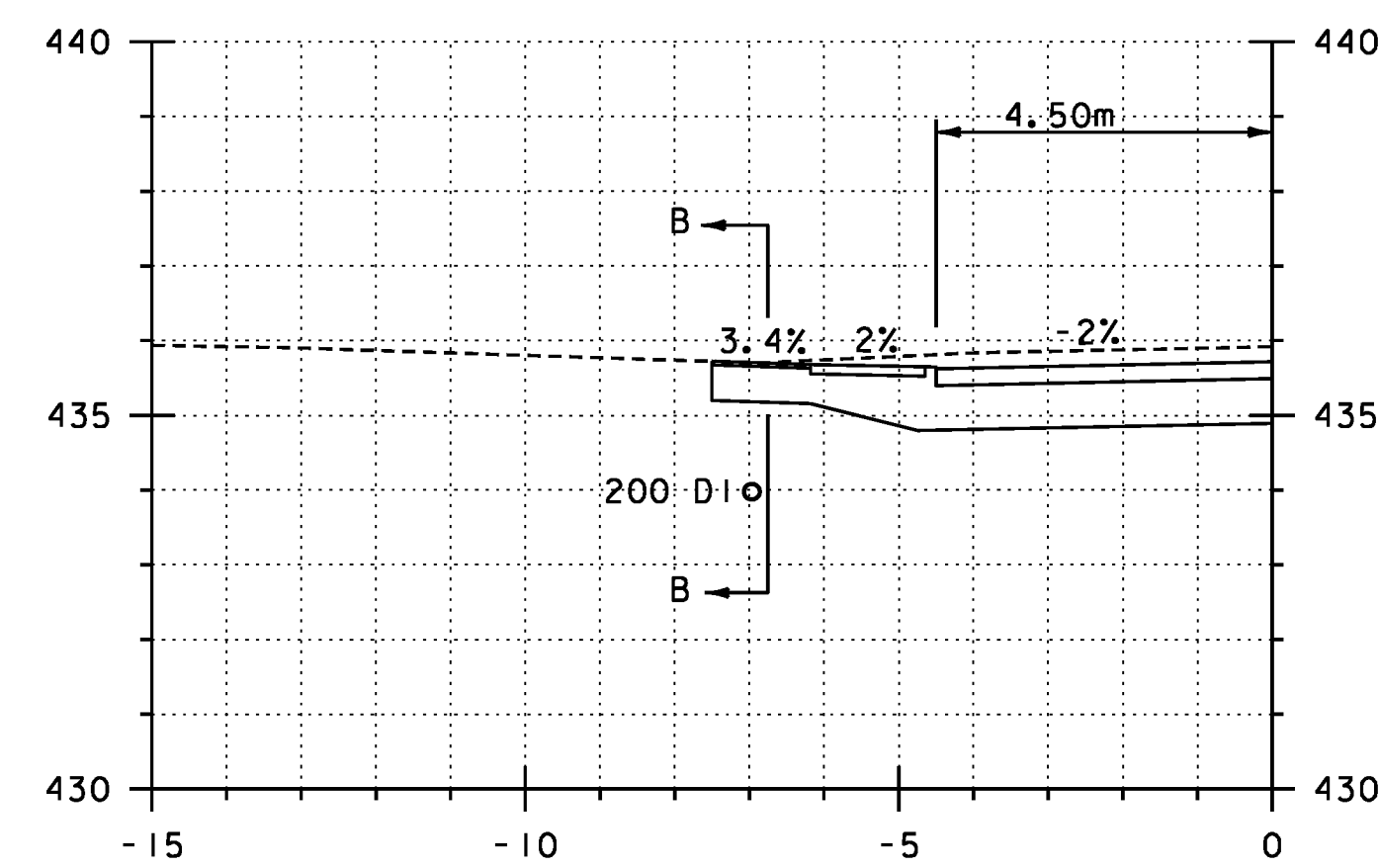


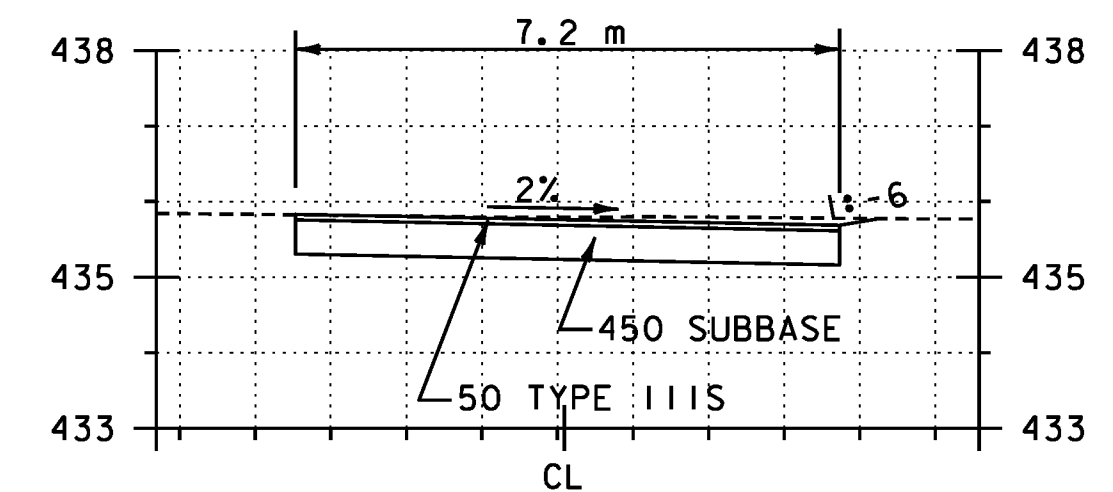
19+050



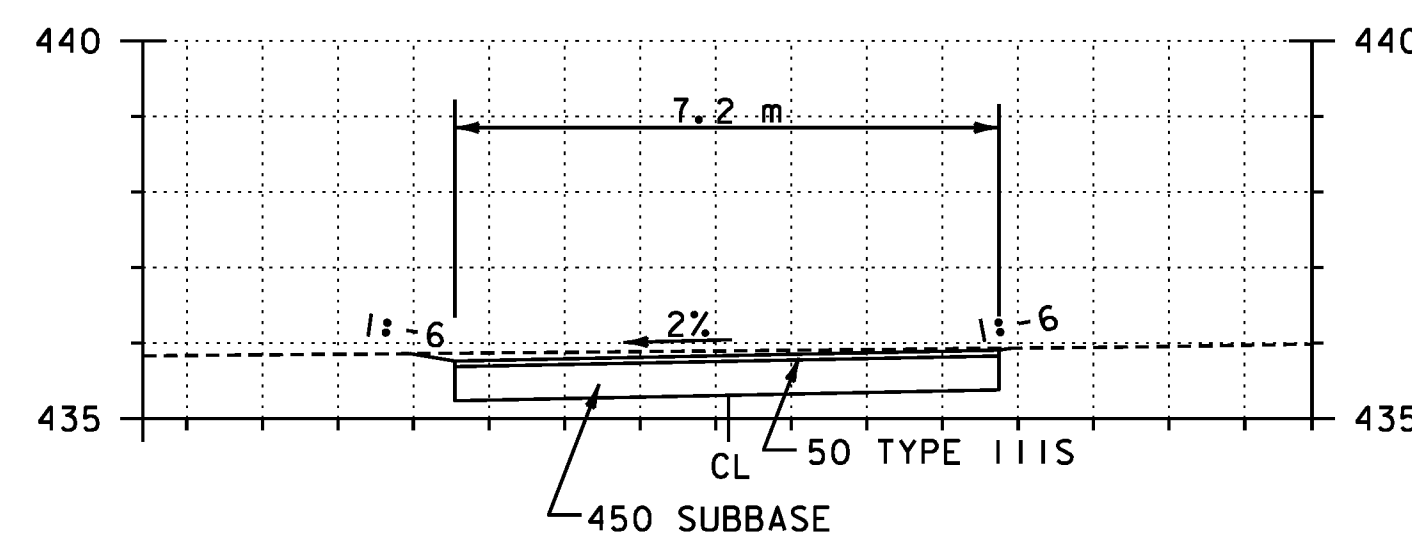
19+040



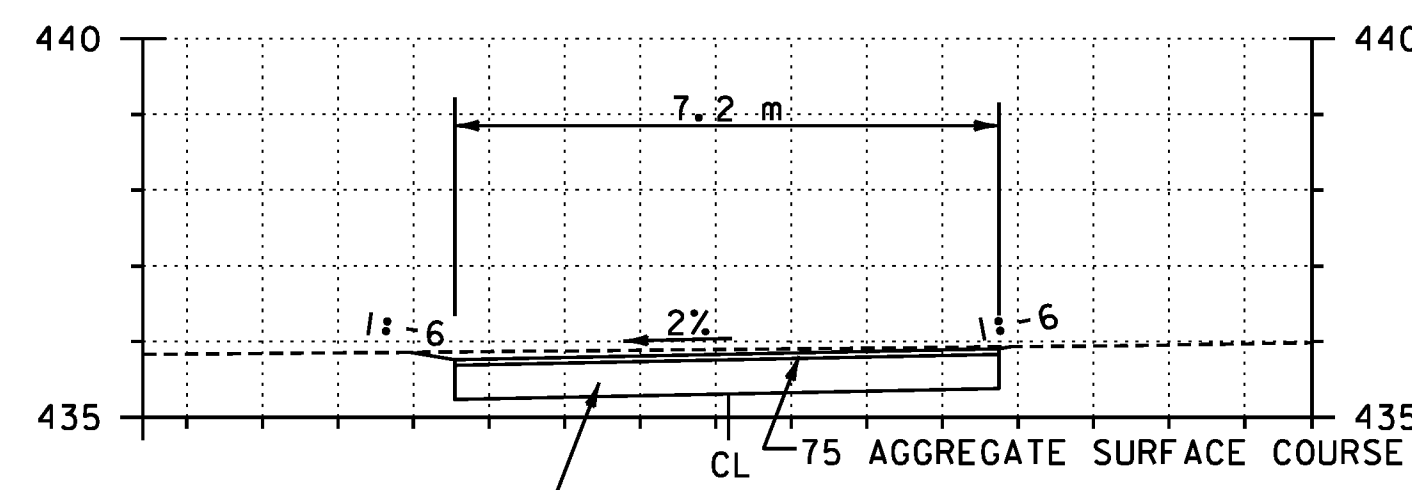
19+055.8
BIT., LT



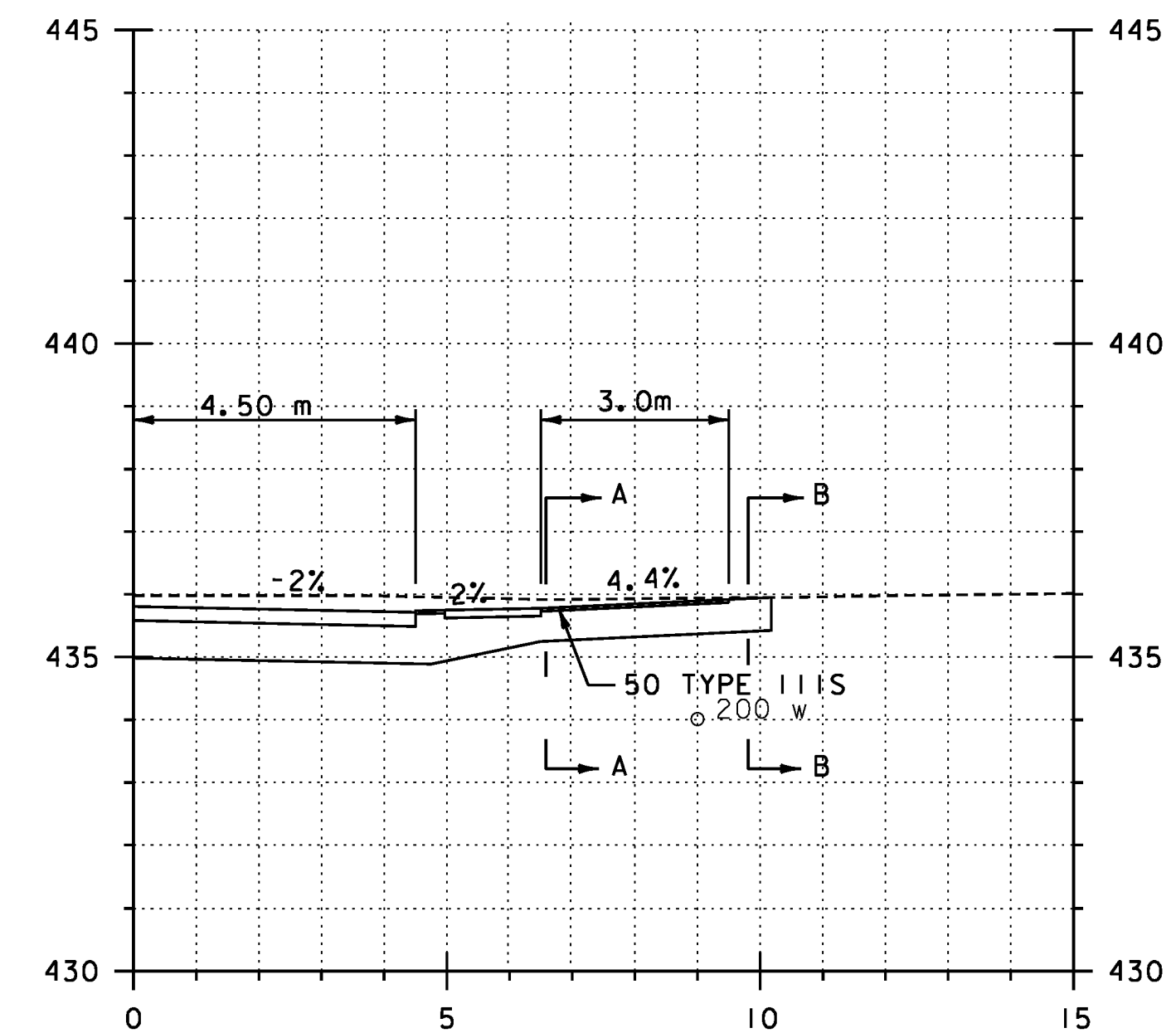
SECTION B-B



SECTION A-A



SECTION B-B



19+048.4
GRAVEL, RT

**REPLACEMENT SHEETS
ISSUED 02/24/12**

STA 19+040 TO 19+055.8

PROJECT NAME: DANVILLE	PLOT DATE: 2/24/2012
PROJECT NUMBER: F EGC 028-3(32)	DRAWN BY: STANTEC
FILE NAME: ...PlotFiles\133 XS-US2.10m.ptf	CHECKED BY: STANTEC
DESIGN SUPERVISOR: GARY SANTY	SHEET 239 OF 306
DESIGNED BY: STANTEC	

