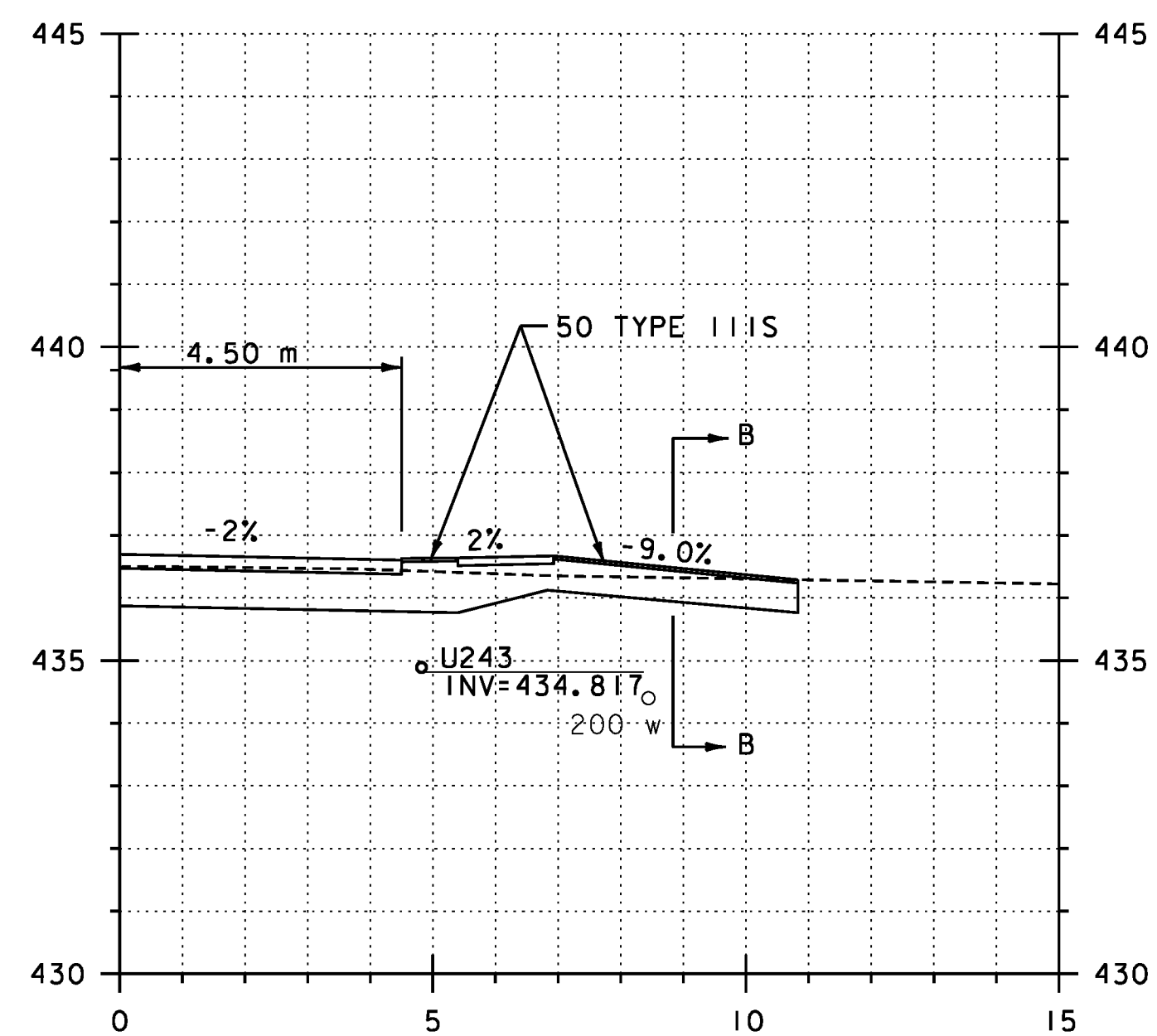
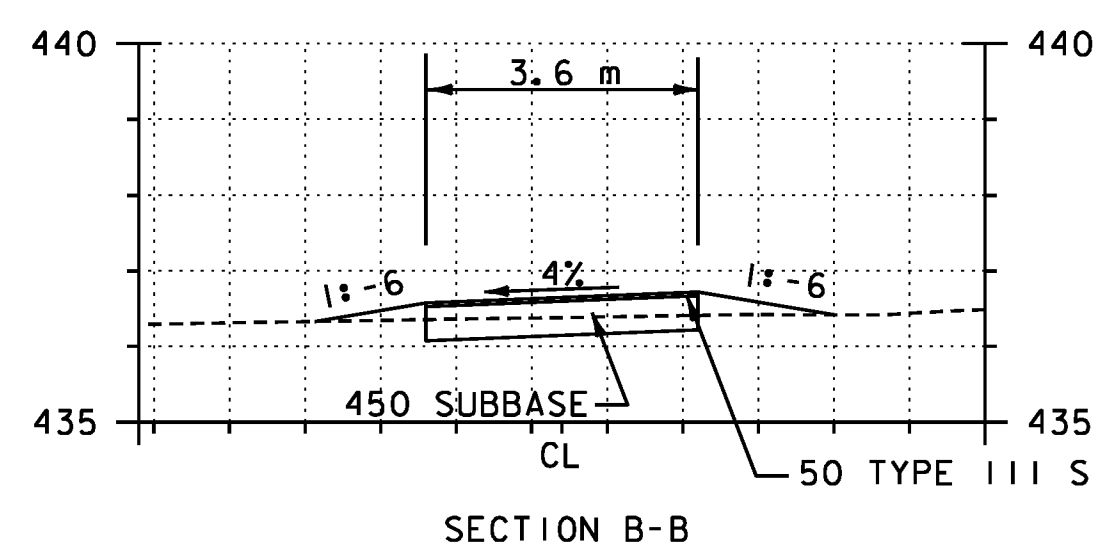
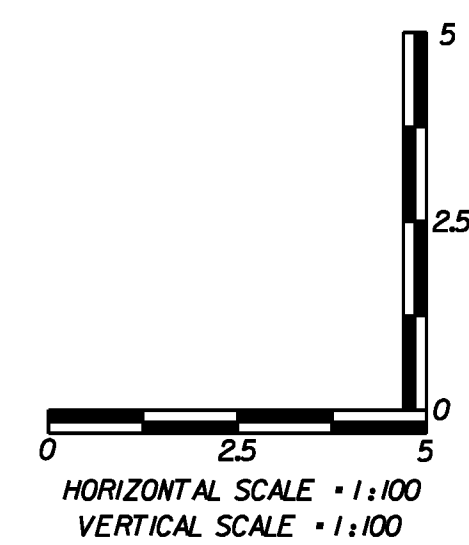
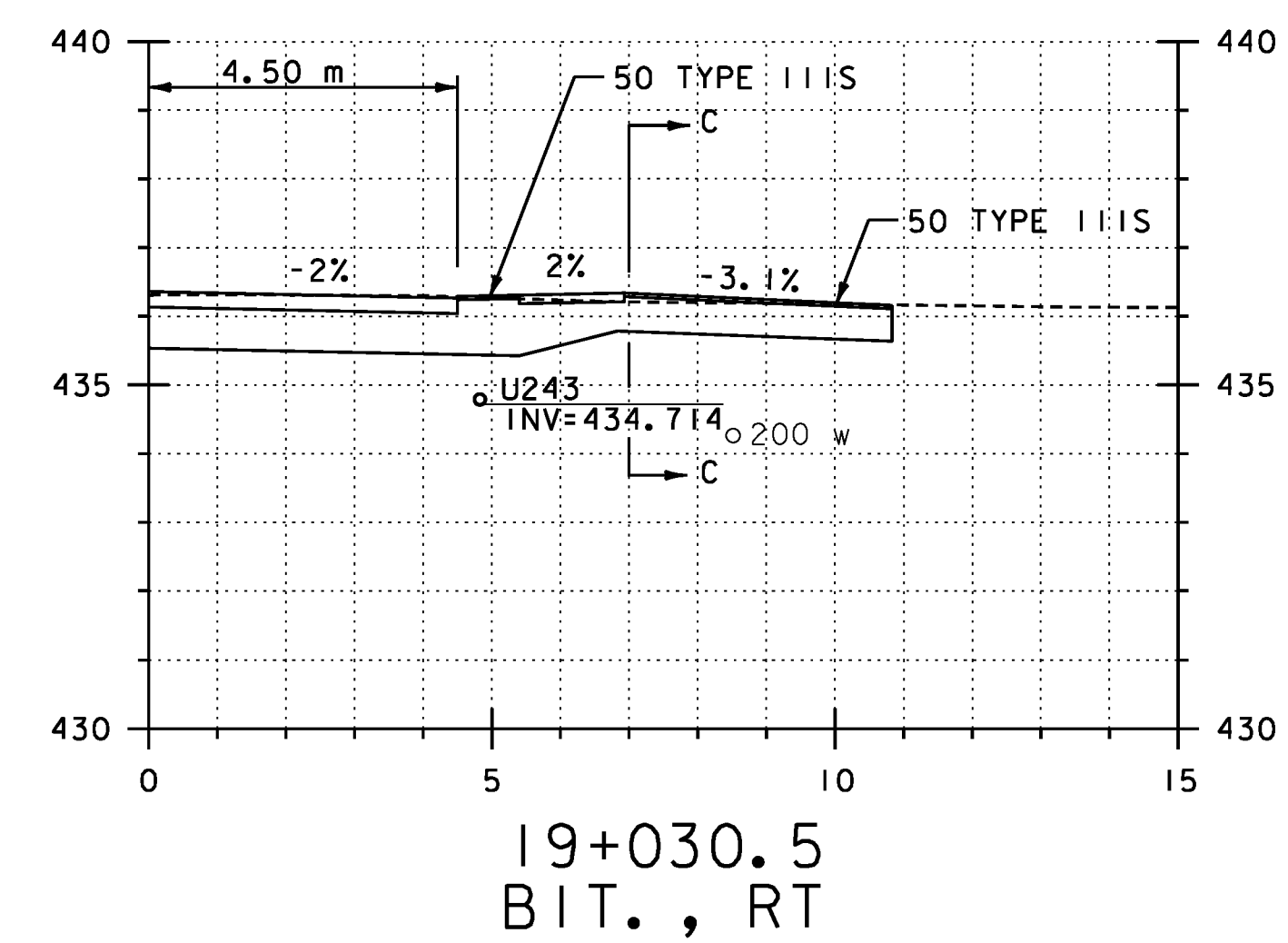
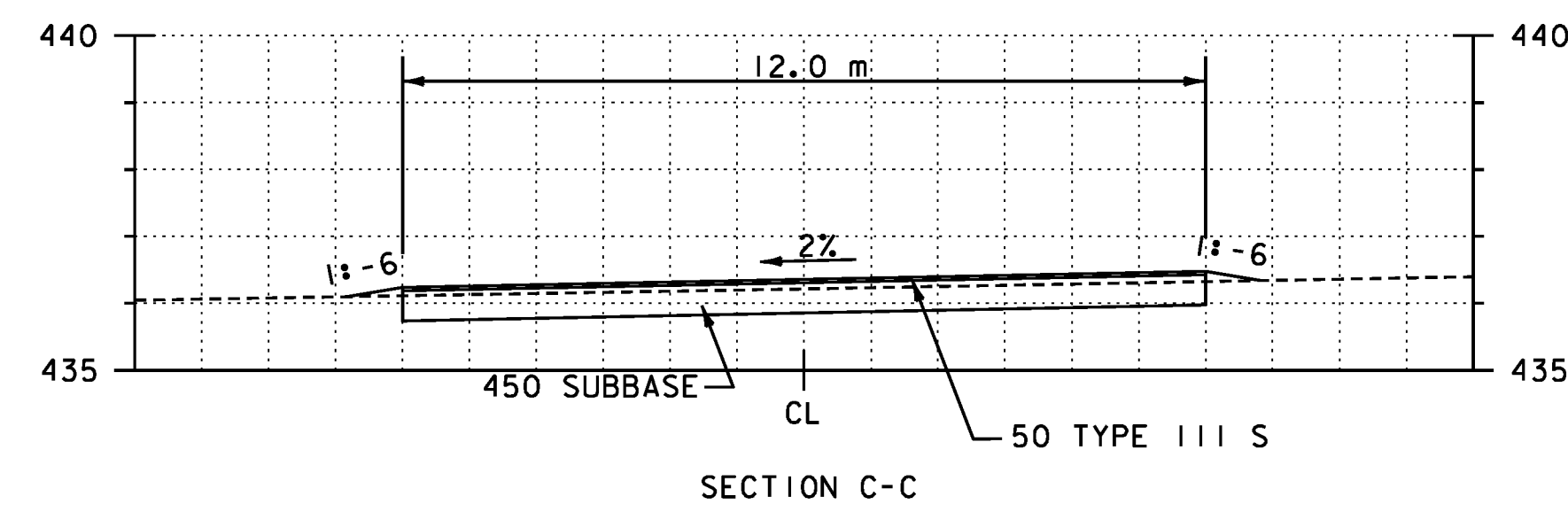
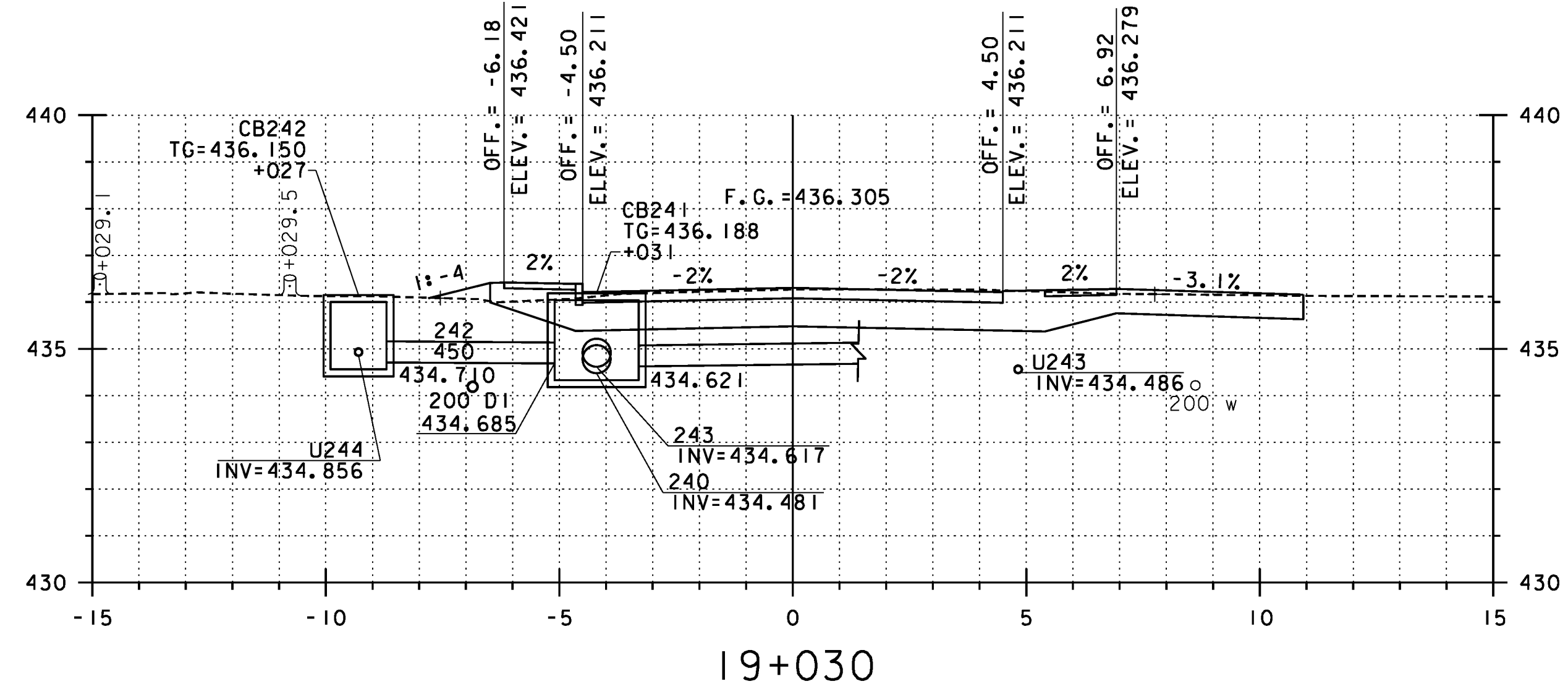


19+020



19+017.3
BIT., RT



**REPLACEMENT SHEETS
ISSUED 02/24/12**

PROJECT NAME: DANVILLE
 PROJECT NUMBER: F EGC 028-3(32)

FILE NAME: ...\\PlotFiles\133 XS-US2.10m.ptf
 DESIGN SUPERVISOR: GARY SANTY
 DESIGNED BY: STANTEC
 US ROUTE 2 CROSS SECTIONS - MLX-14

PLOT DATE: 2/24/2012
 DRAWN BY: STANTEC
 CHECKED BY: STANTEC
 SHEET 238 OF 306

STA 19+017.3 TO 19+030