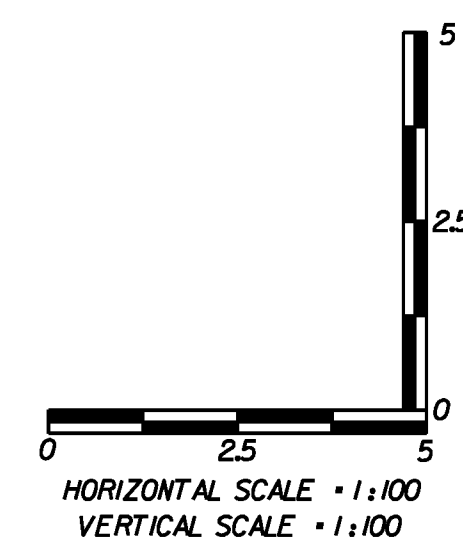
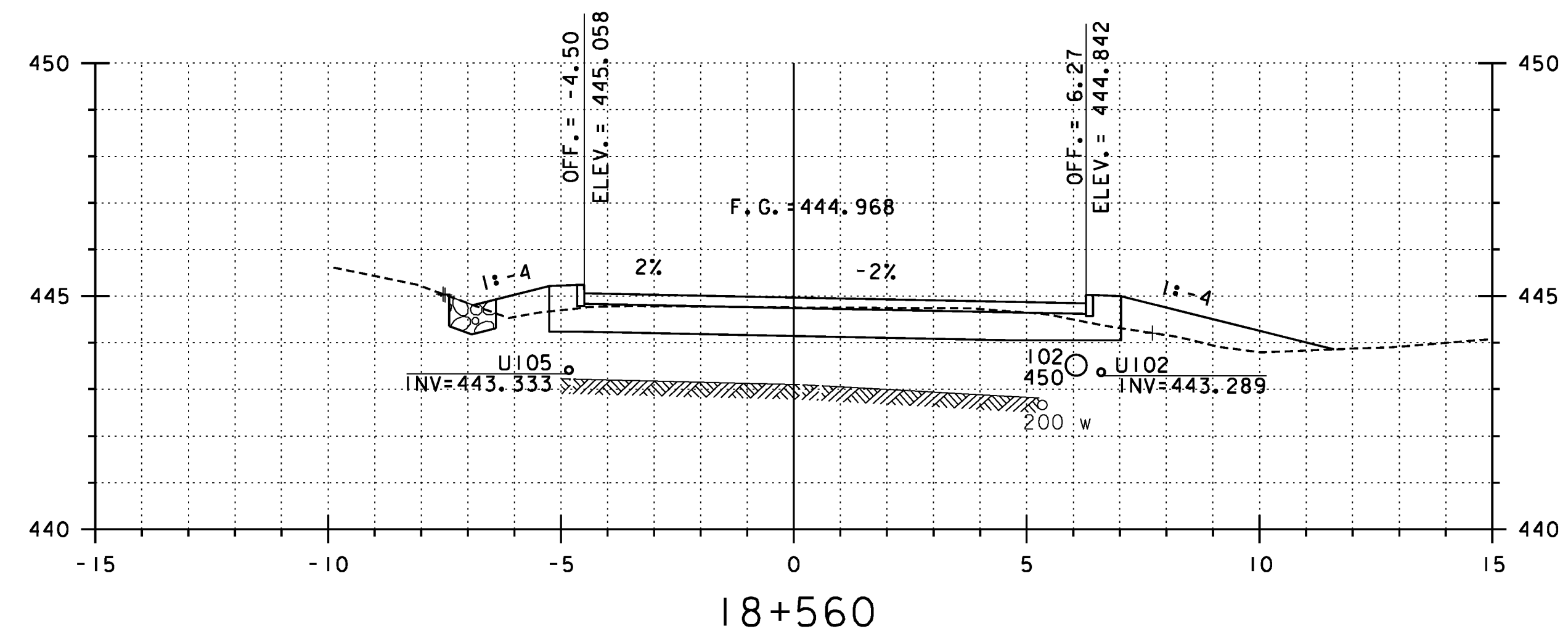
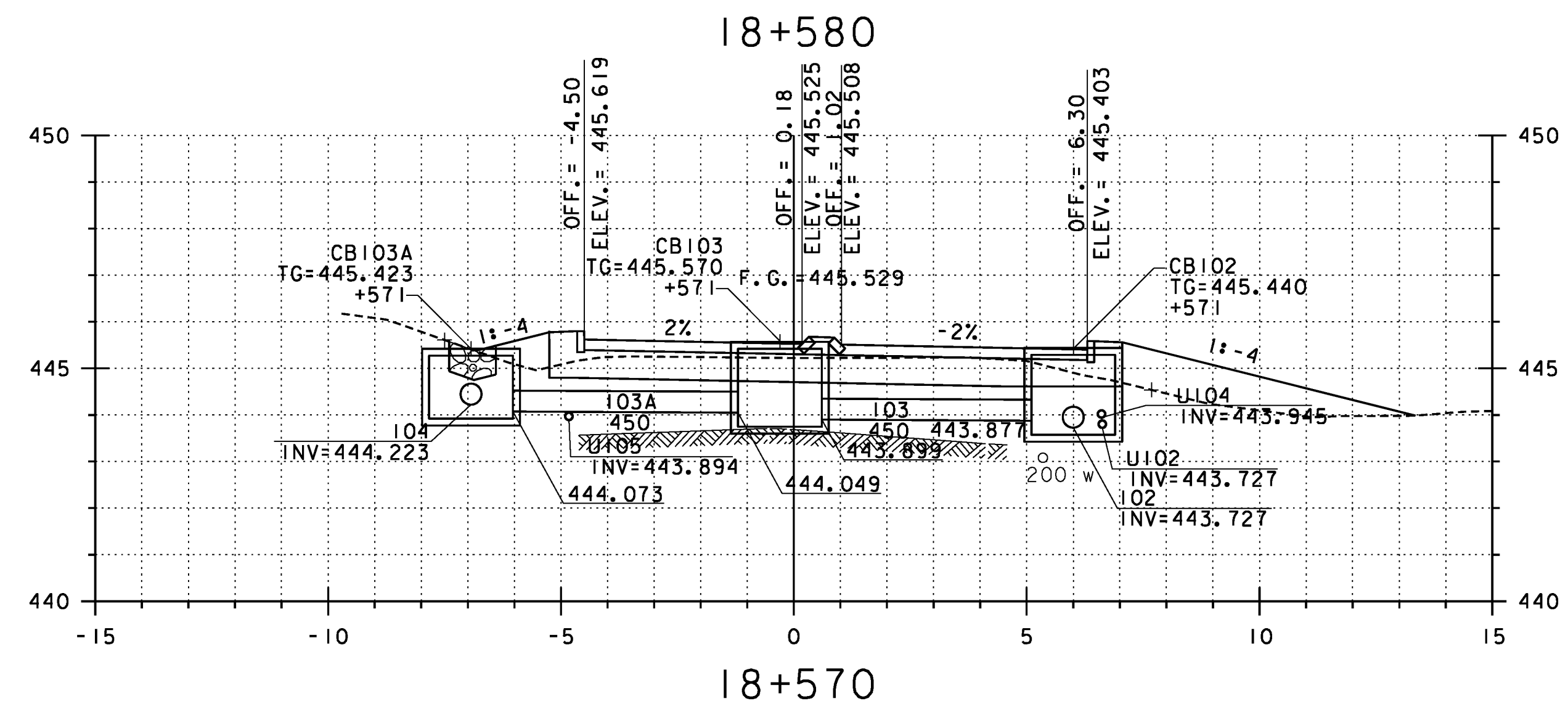
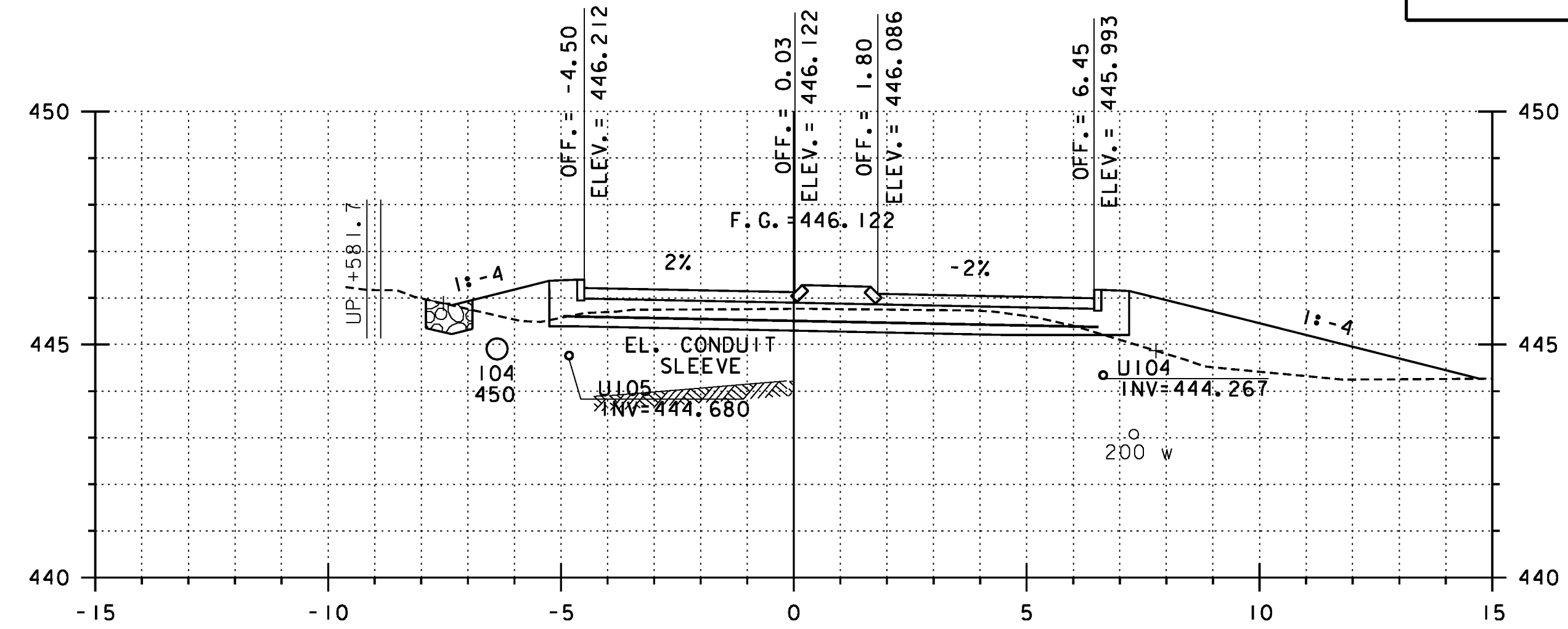
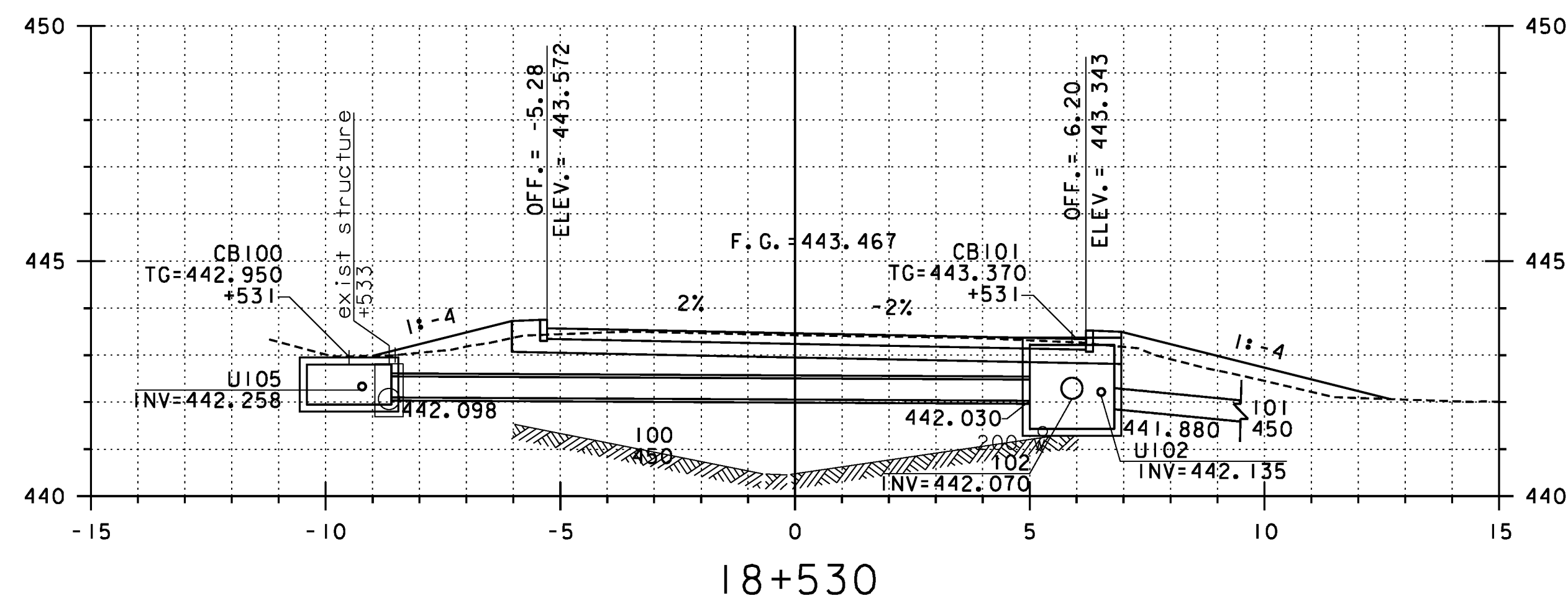
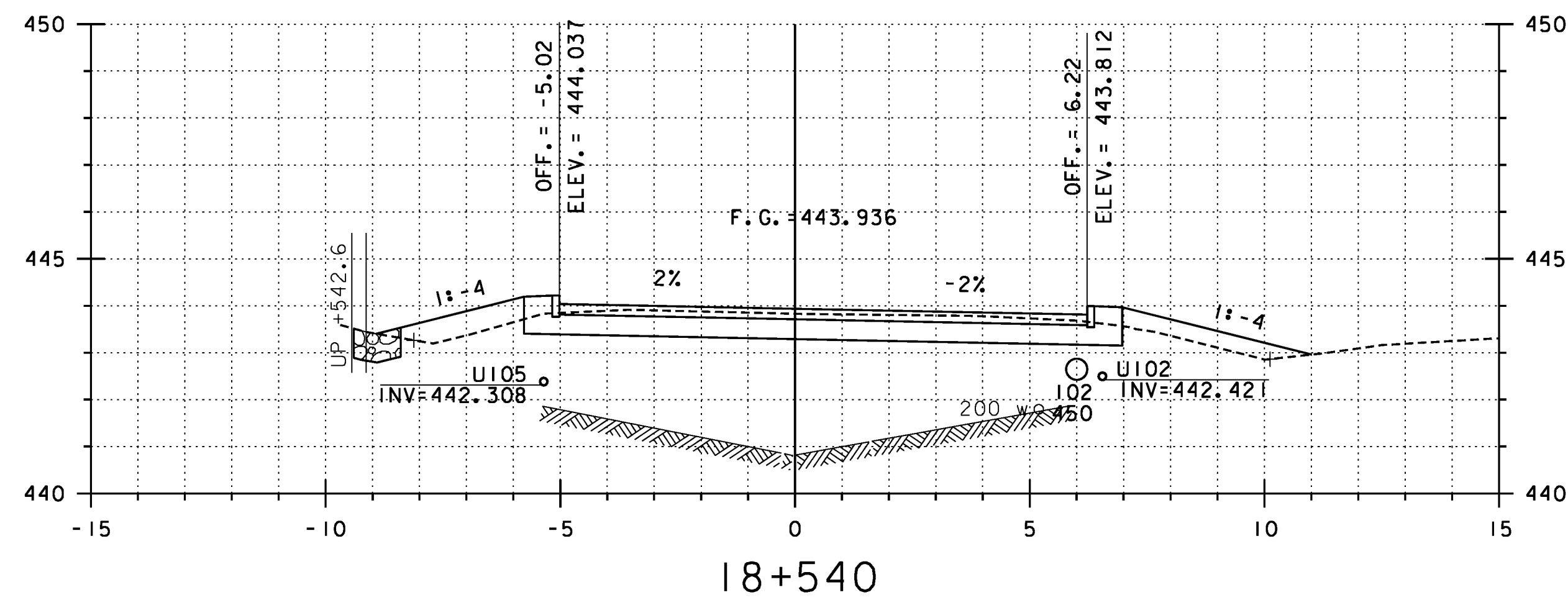
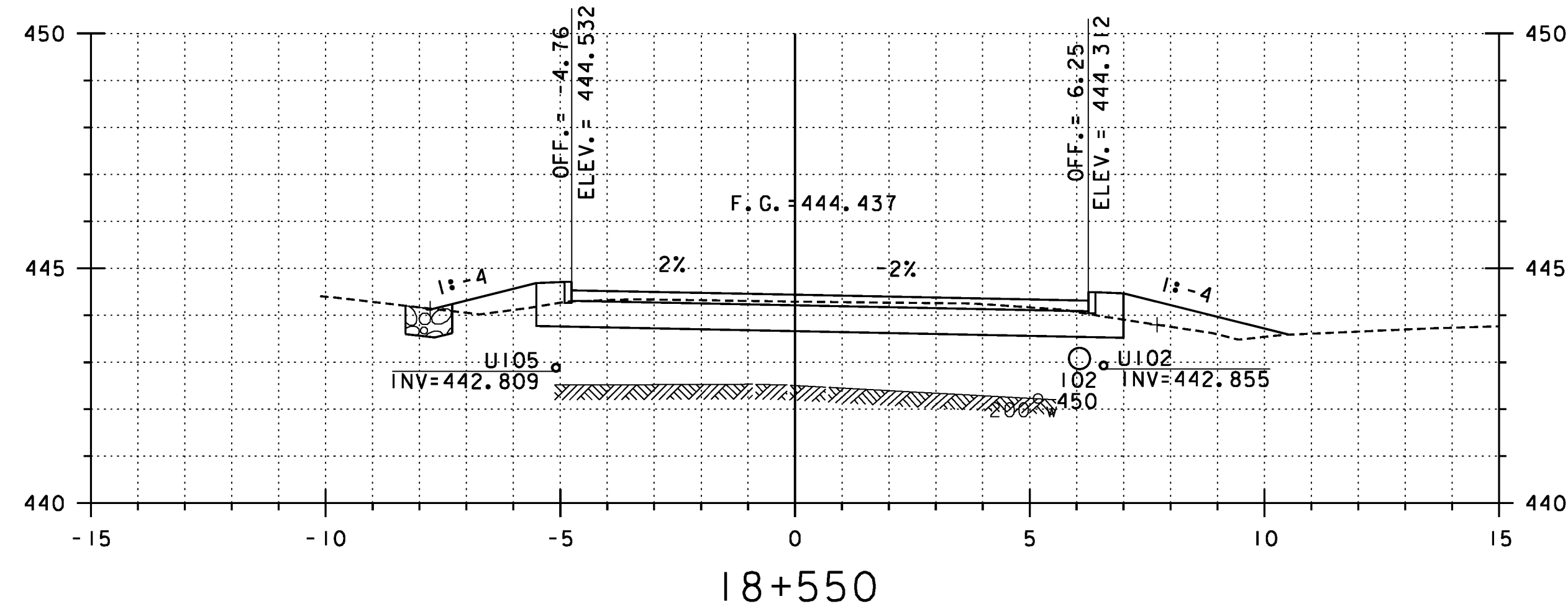


STA. 18+553.730
 END APPROACH CONSTRUCTION
 BEGIN PROJECT F EGC 028-3(32)



**REPLACEMENT SHEETS
 ISSUED 02/24/12**

STA 18+530 TO 18+580

PROJECT NAME: DANVILLE	PLOT DATE: 2/24/2012
PROJECT NUMBER: F EGC 028-3(32)	DRAWN BY: STANTEC
FILE NAME: ...PlotFiles\133 XS-US2.10m.ptf	CHECKED BY: STANTEC
DESIGN SUPERVISOR: GARY SANTY	SHEET 226 OF 306
DESIGNED BY: STANTEC	

