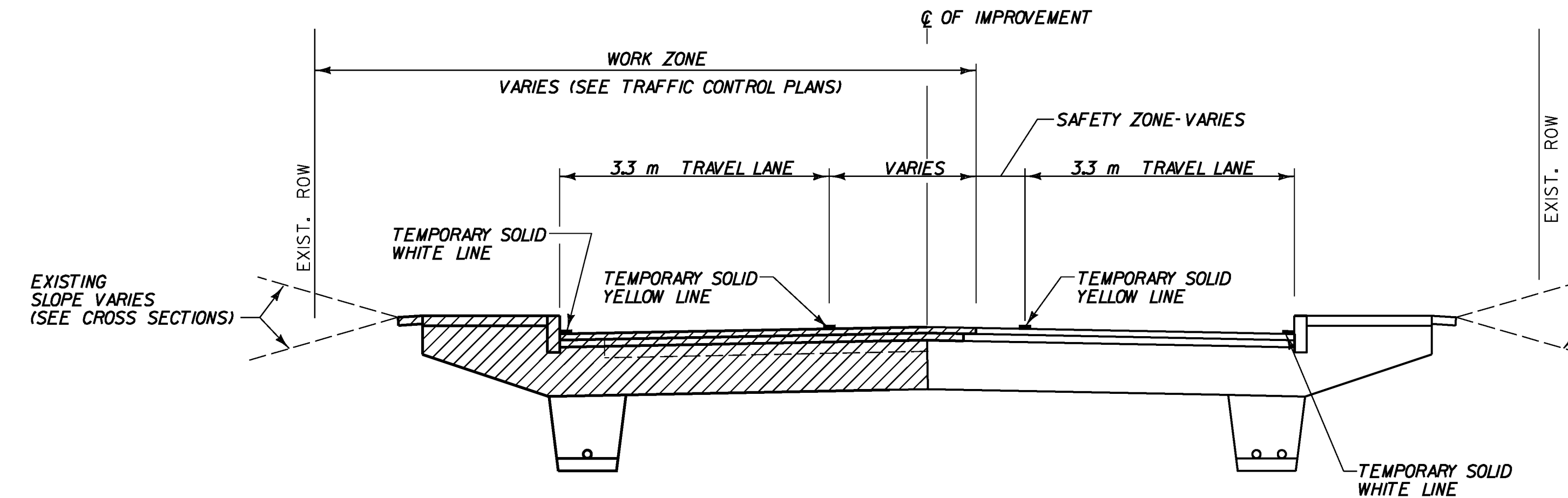
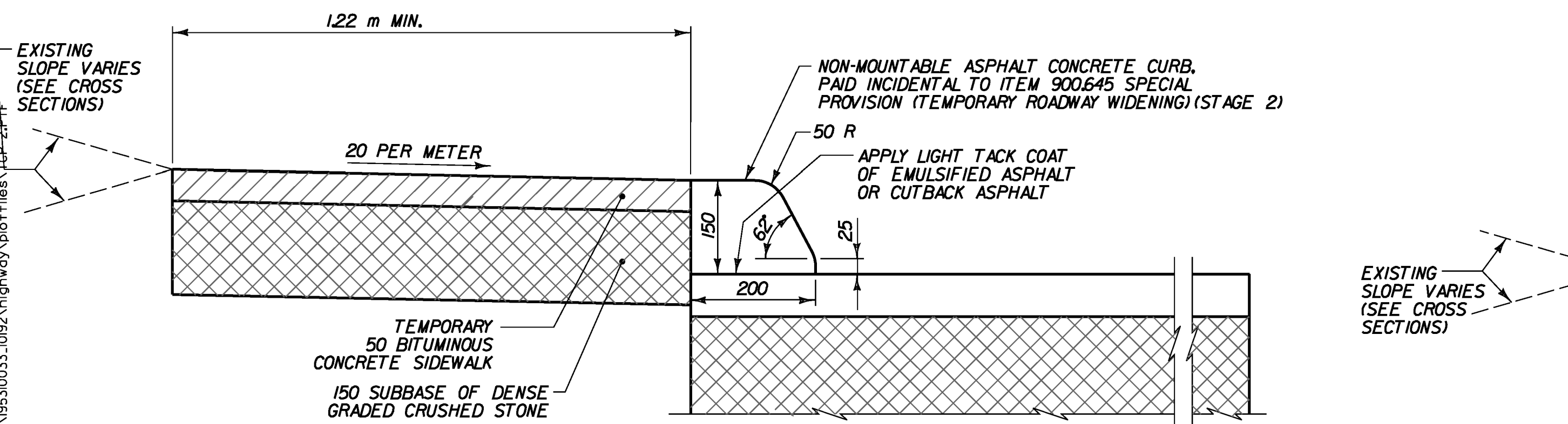


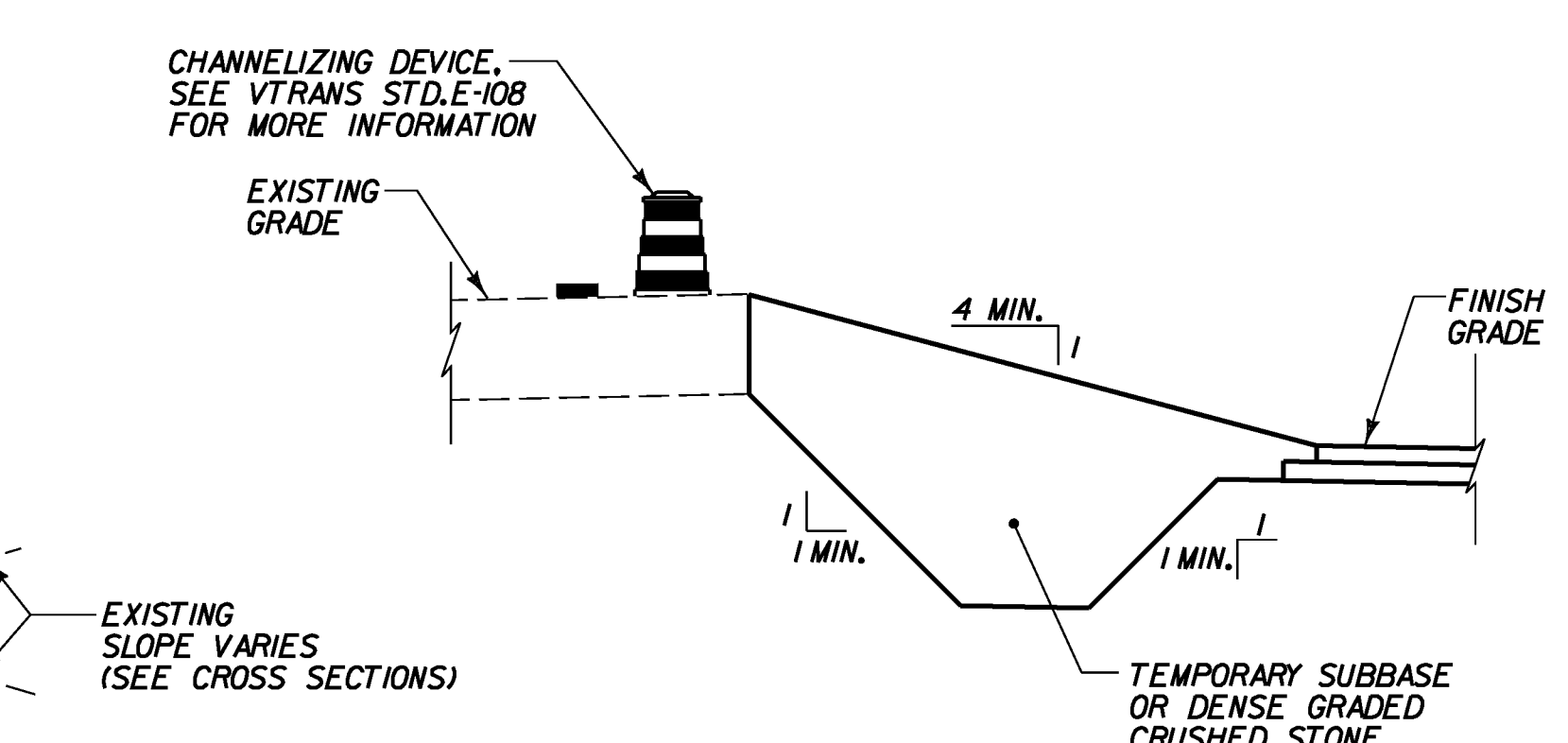
TYPICAL SECTION (STAGE 2)  
SCALE: 1:100



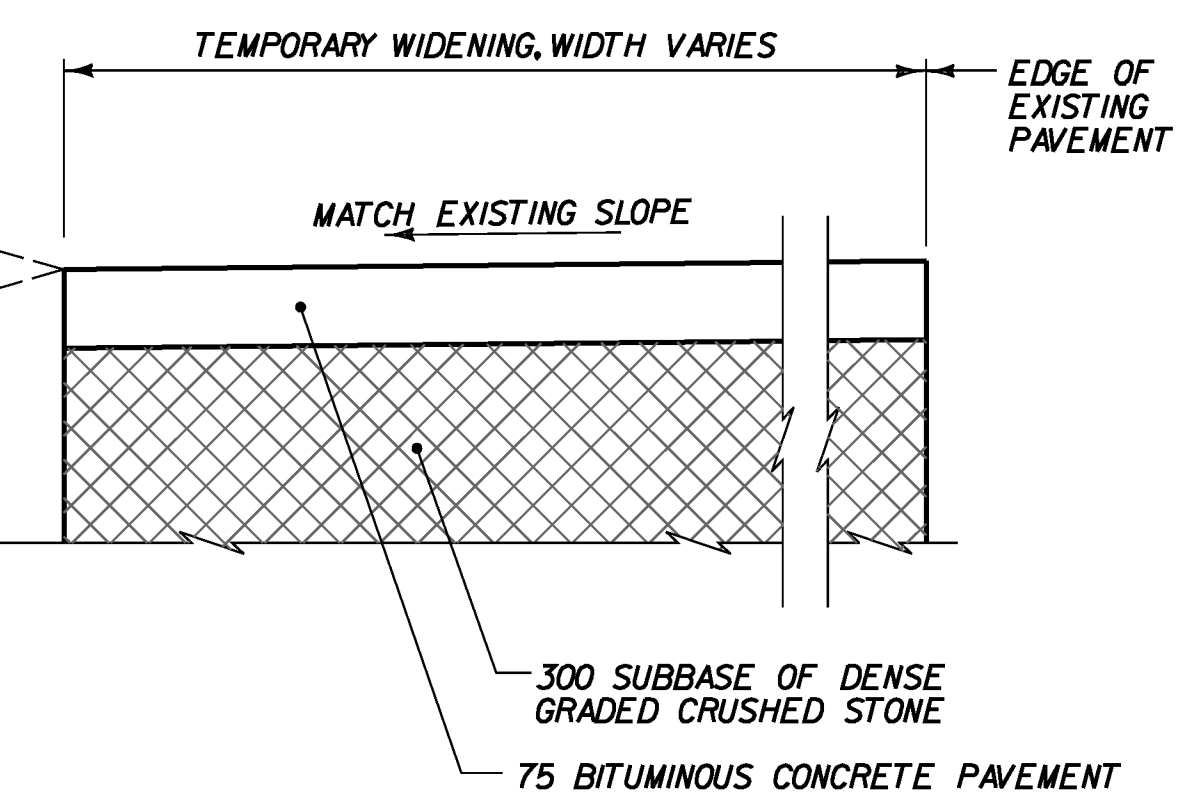
TYPICAL SECTION (STAGE 3)  
SCALE: 1:100



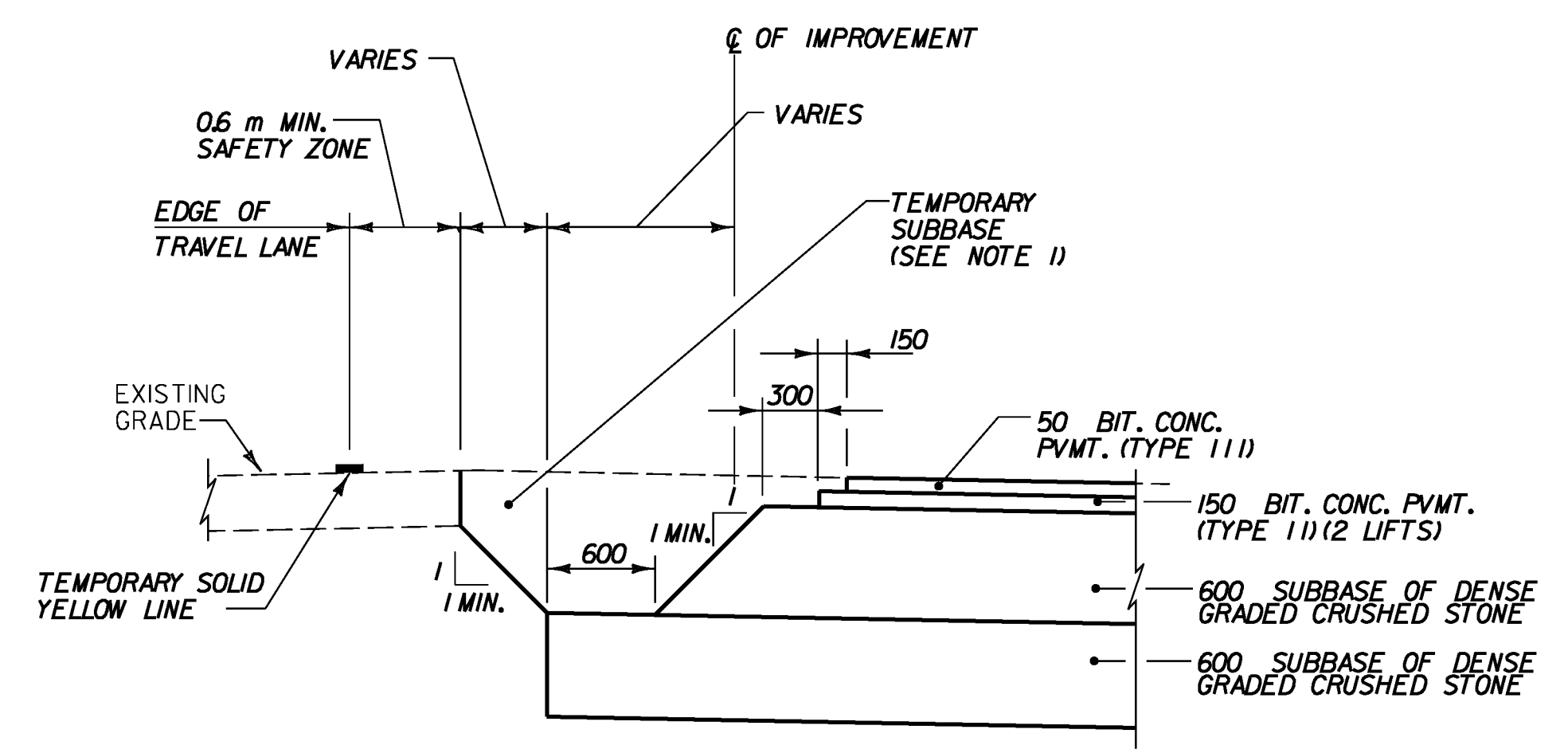
TEMPORARY CURB AND SIDEWALK DETAIL IN EXISTING SIDEWALK AREAS  
NOT TO SCALE



SLOPE DETAIL  
NOT TO SCALE



TEMPORARY WIDENING DETAIL (IF NEEDED)  
NOT TO SCALE



EDGE OF PAVEMENT DETAIL  
NOT TO SCALE

NOTES:

1. CONTRACTOR SHALL FILL IN EXCAVATED AREAS AT THE END OF EACH WORK DAY WITH TEMPORARY SUBBASE MATERIAL. ALL COSTS ASSOCIATED WITH THIS WORK SHALL BE INCLUDED IN ITEM 900.645 - SPECIAL PROVISION (TEMPORARY ROADWAY WIDENING)(STAGE 2).
2. TRAFFIC CALMING AND CHANNELIZING ISLANDS SHALL BE CONSTRUCTED DURING OR AFTER STAGE 3 UNLESS OTHERWISE NOTED ON SHEETS TC-3 THROUGH TC-7.
3. THE TOP COURSE OF PAVEMENT SHALL BE PLACED FOLLOWING THE CONSTRUCTION OF THE CHANNELIZING AND TRAFFIC CALMING ISLANDS.
4. SUBBASE PLACEMENT SHALL KEEP PACE WITH THE EXCAVATION SO THAT THE DISTANCE BETWEEN THEM NEVER EXCEEDS 30m. AT THE END OF THE WORKDAY ALL EXCAVATION SHALL BE BACKFILLED.
5. ALL DIMENSIONS IN MILLIMETERS UNLESS OTHERWISE NOTED.
6. ONE WAY ALTERNATING TRAFFIC ALLOWED DURING WORK HOURS. TWO WAY TRAFFIC MUST BE MAINTAINED DURING NON-WORK HOURS ON DENSE GRADED CRUSHED STONE.
7. PAYMENT FOR TEMPORARY ROADWAY WIDENING REQUIRED TO MAINTAIN TRAFFIC SHALL BE MADE UNDER ITEM 900.645 SPECIAL PROVISION (TEMPORARY ROADWAY WIDENING) (STAGE 2)
8. ANY TEMPORARY WIDENING'S MUST STAY INSIDE RIGHT-OF-WAY FOR PROJECT.
9. MAINTAIN PEDESTRIAN ACCESS AT ALL EXISTING SIDEWALK LOCATIONS. SEE DETAIL THIS SHEET FOR TEMPORARY SIDEWALK. REFER TO NOTE 33 ON SHEET TC-1 WHEN PEDESTRIAN ACCESS CANNOT BE MAINTAINED AT EXISTING SIDEWALK LOCATION.

PROJECT NAME:	DANVILLE
PROJECT NUMBER:	F EGC 028-3(32)
FILE NAME:	...highway\plotfiles\TCP-2.PTF
DESIGN SUPERVISOR:	GARY SANTY
DESIGNED BY:	STANTEC
TRAFFIC CONTROL PLAN	TC-2
PLOT DATE:	1/18/2011
DRAWN BY:	STANTEC
CHECKED BY:	STANTEC
SHEET	219 OF 306



1/18/2011 10:54:55 PM v:\1953\active\9530033\_0952\highway\plotfiles\TCP-2.PTF