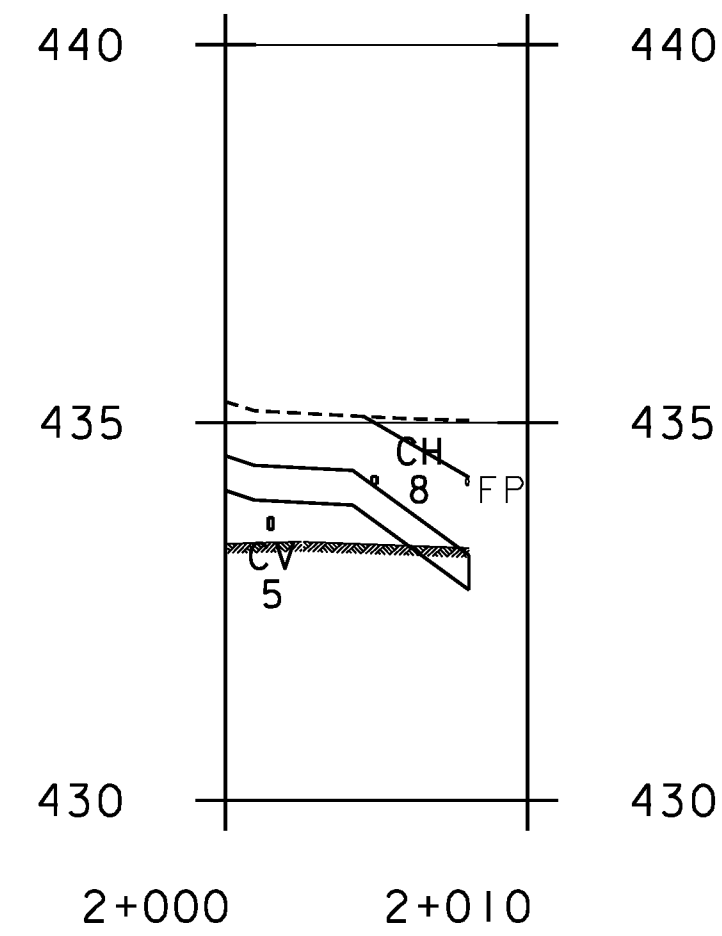
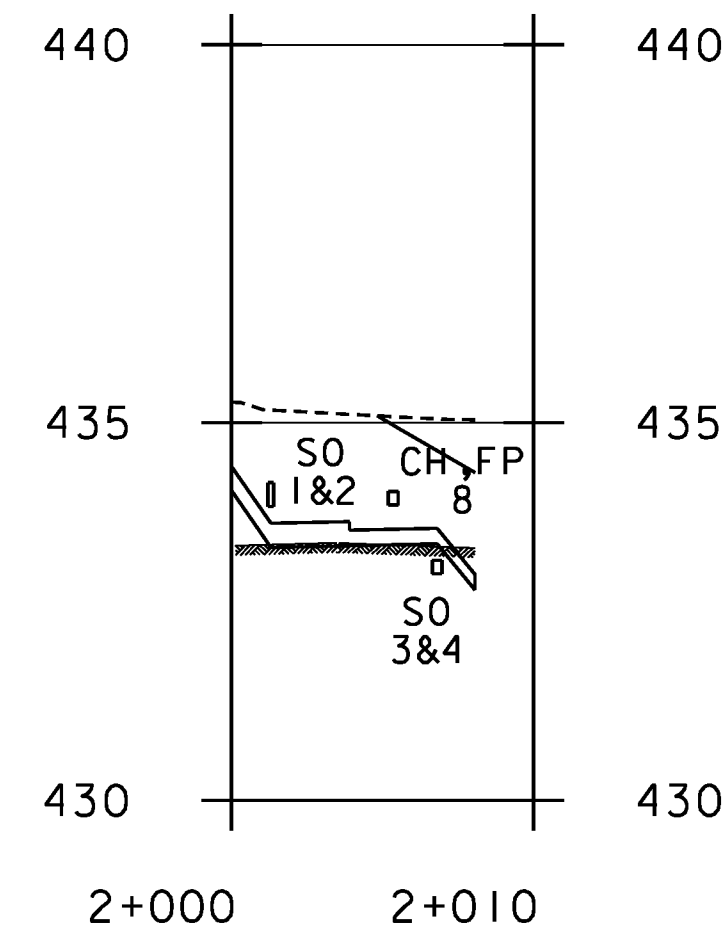


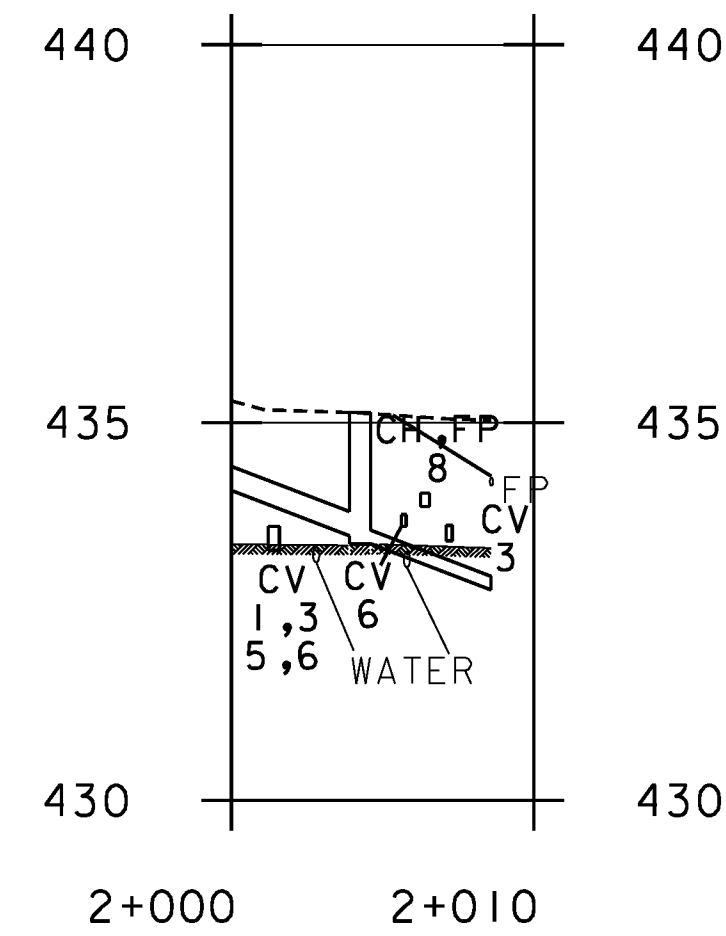
### CHARTER, FAIRPOINT&SOVERNET BETWEEN DUCTS TD3 & TD4



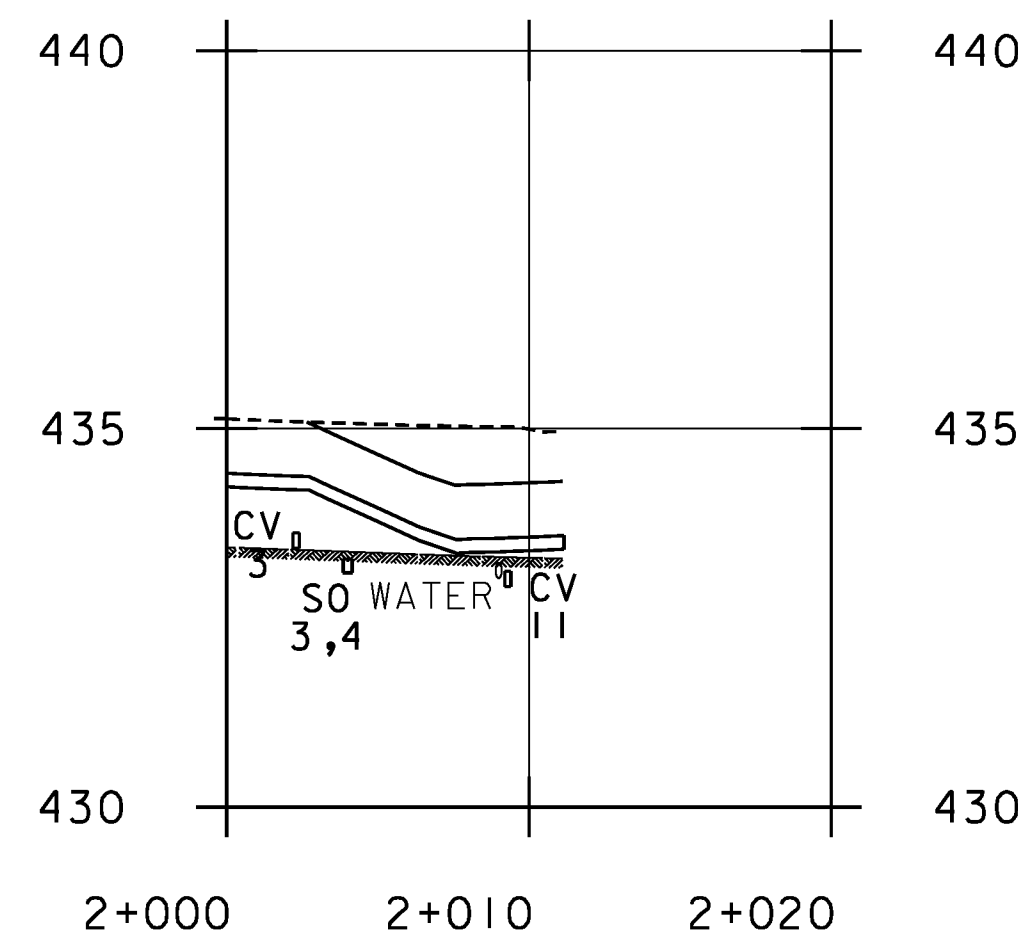
### CVPS (T) BETWEEN DUCTS TD3 & TD4



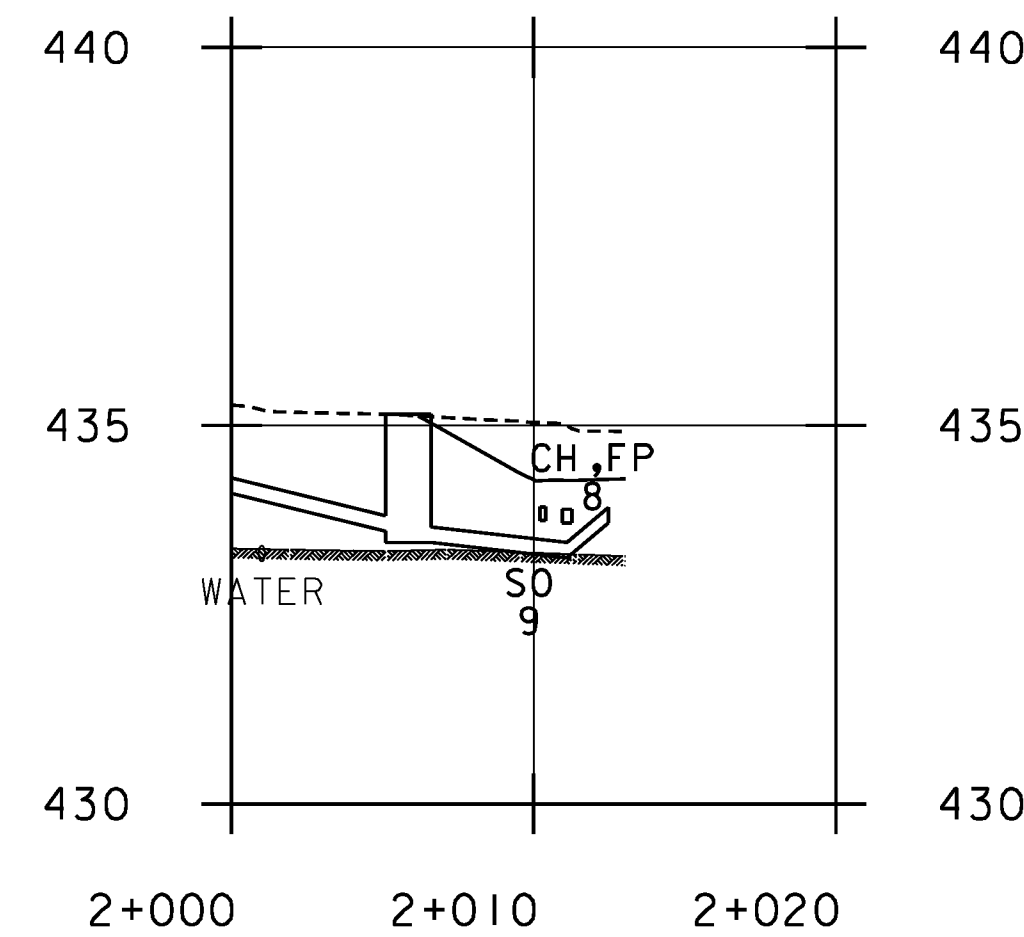
### SOVERNET BETWEEN DUCTS TD3 & TD4



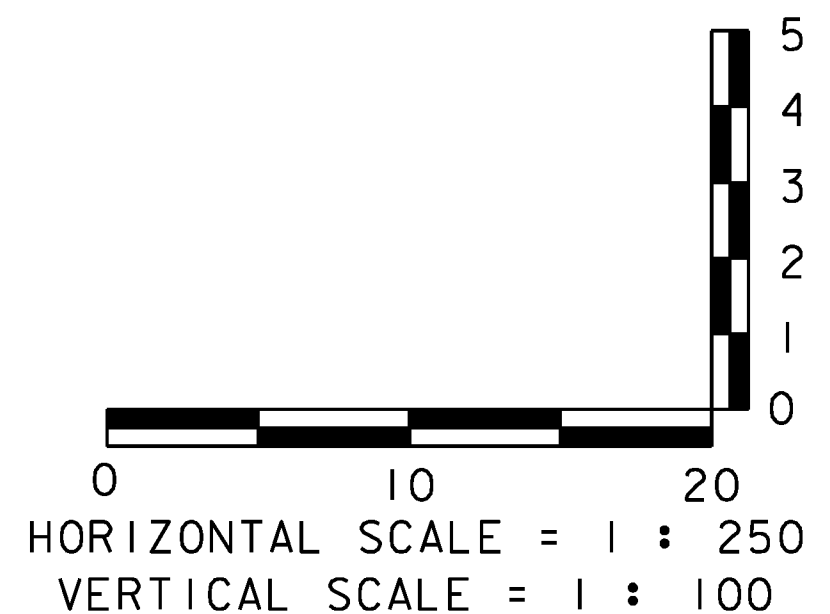
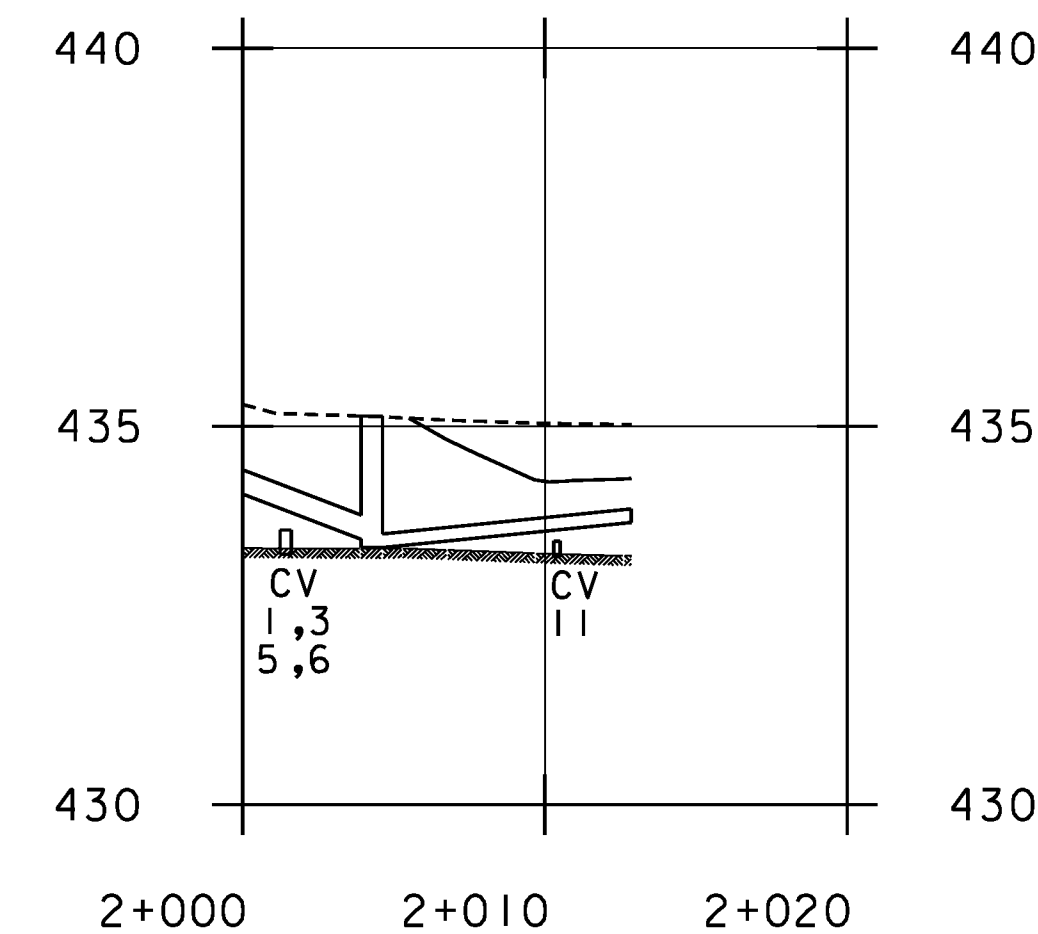
### CHARTER& FAIRPOINT BETWEEN DUCTS TD3 & TD9



### CVPS (T) BETWEEN DUCTS TD3 & TD9



### SOVERNET BETWEEN DUCTS TD3 & TD9



- EXISTING GRADE
- \_\_\_\_\_ FINISH GRADE
- (T) CVPS 3-PHASE
- (S) CVPS SINGLE PHASE

**REPLACEMENT SHEETS  
ISSUED 02/24/2012**

## INTERSECTION 2 BETWEEN DUCTS 3&4,3&9



PROJECT NAME: DANVILLE  
PROJECT NUMBER: F EGC 028-3(32)

FILE NAME: ...100 det.profiles.ptf  
DESIGN SUPERVISOR: GARY SANTY  
DESIGNED BY: STANTEC  
DUCT BANK PROFILES DTP-05

PLOT DATE: 2/24/2012  
DRAWN BY: STANTEC  
CHECKED BY: STANTEC  
SHEET 2150 OF 306