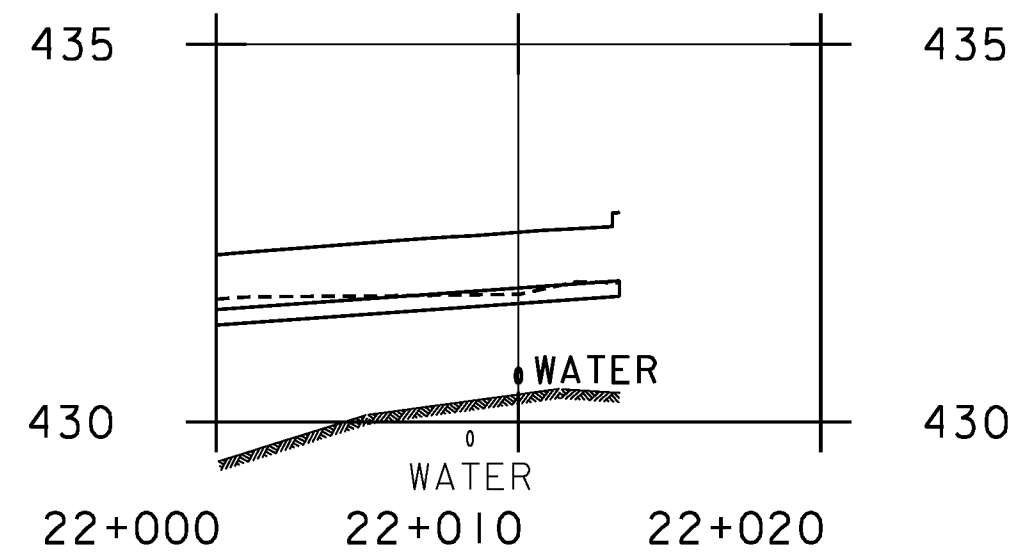
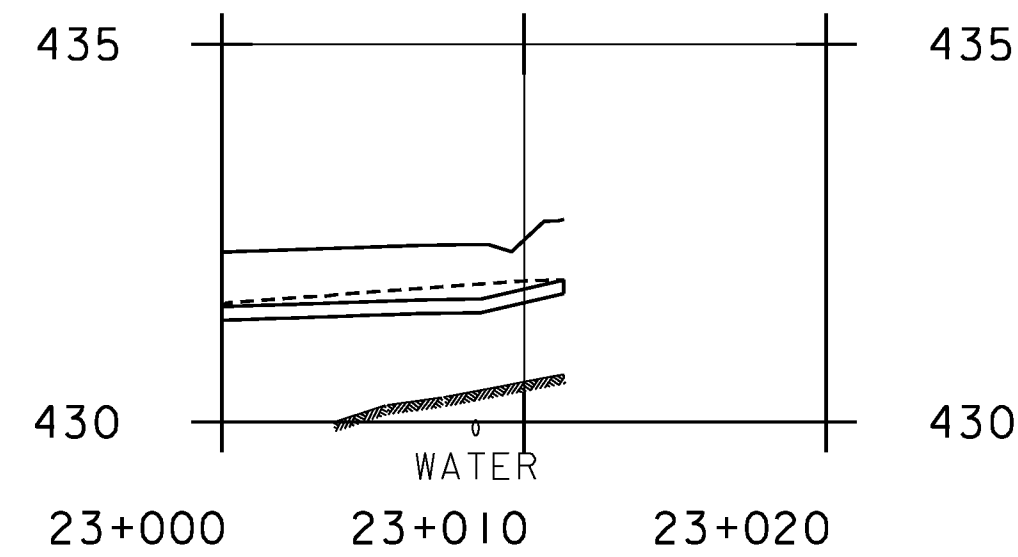


TYPICAL DUCT 22

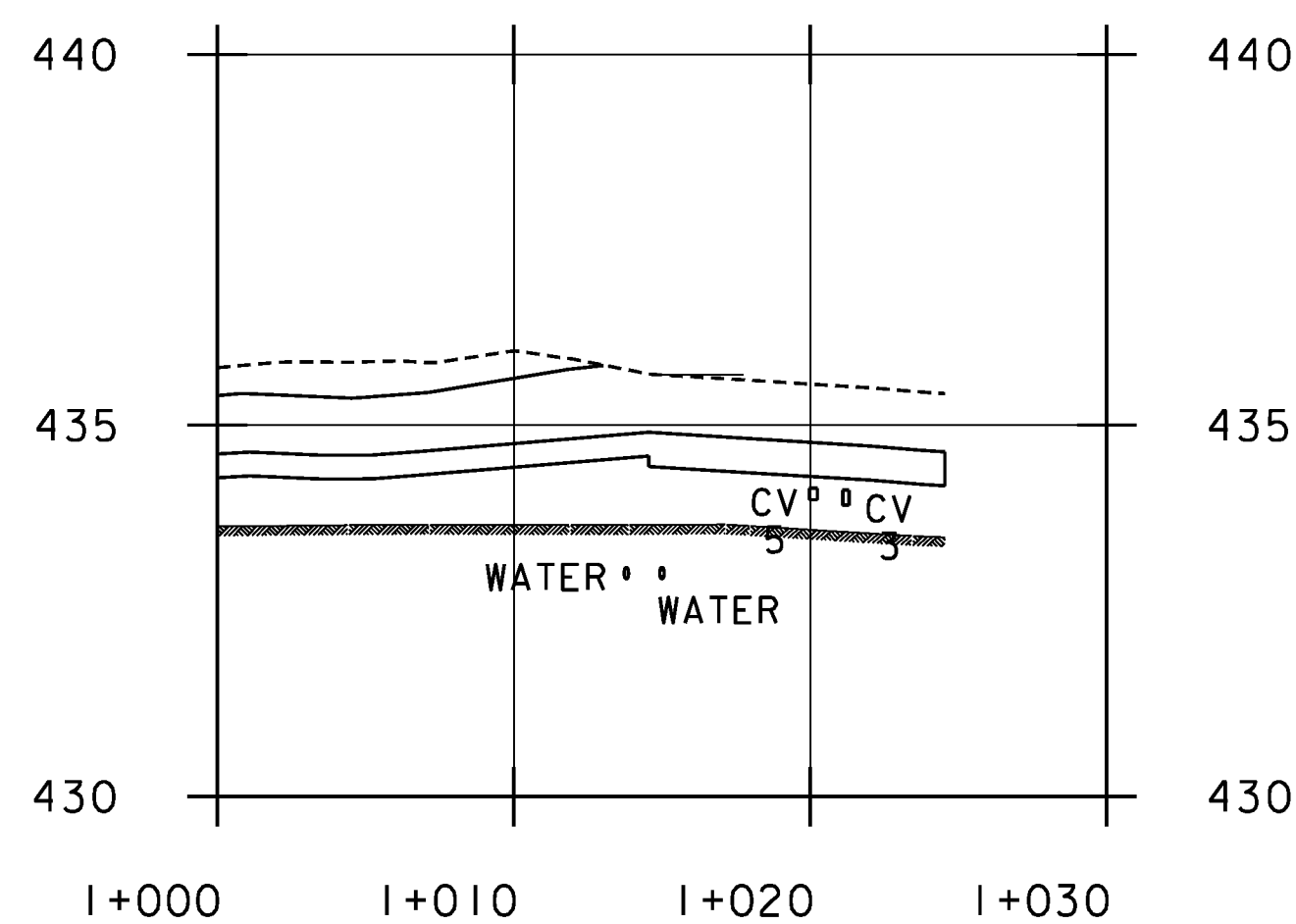


TYPICAL DUCT 23

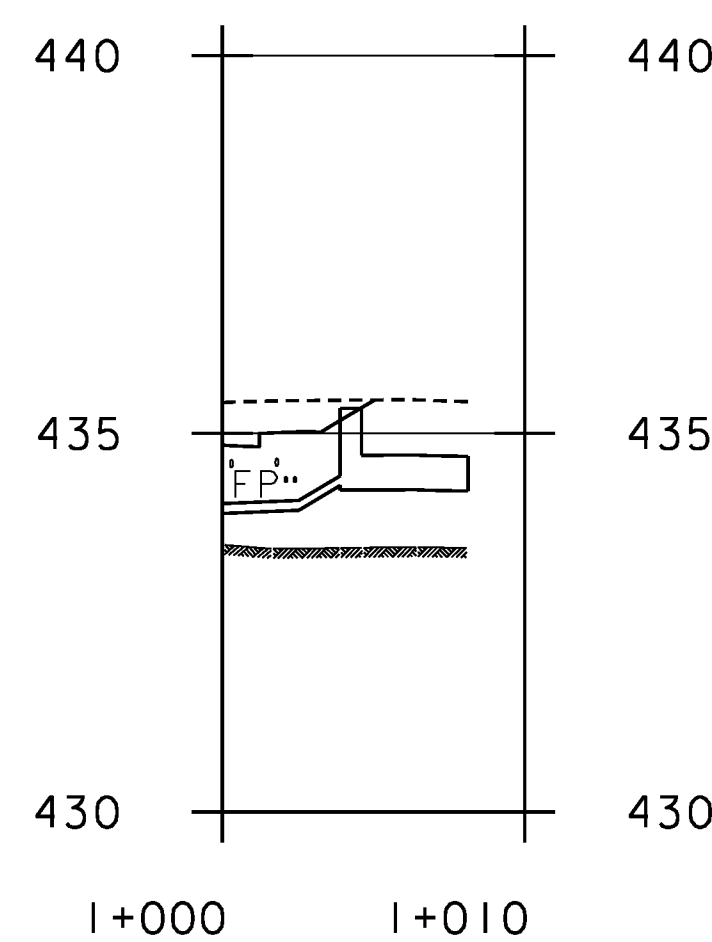


NOTE:
BEGIN AND END OF DUCT SHALL CORRESPOND
TO DIRECTION OF ARROWHEAD ON UTILITY
PLANS.

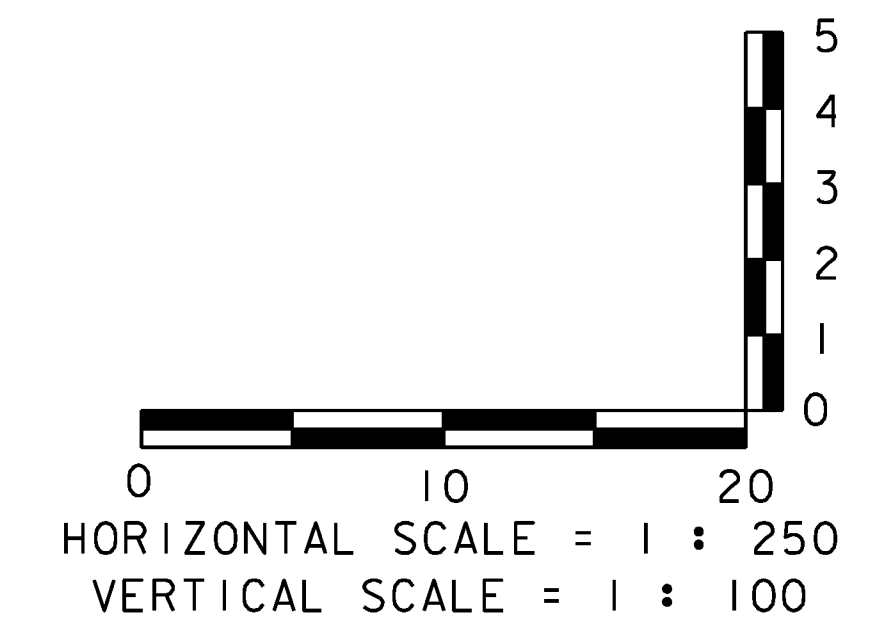
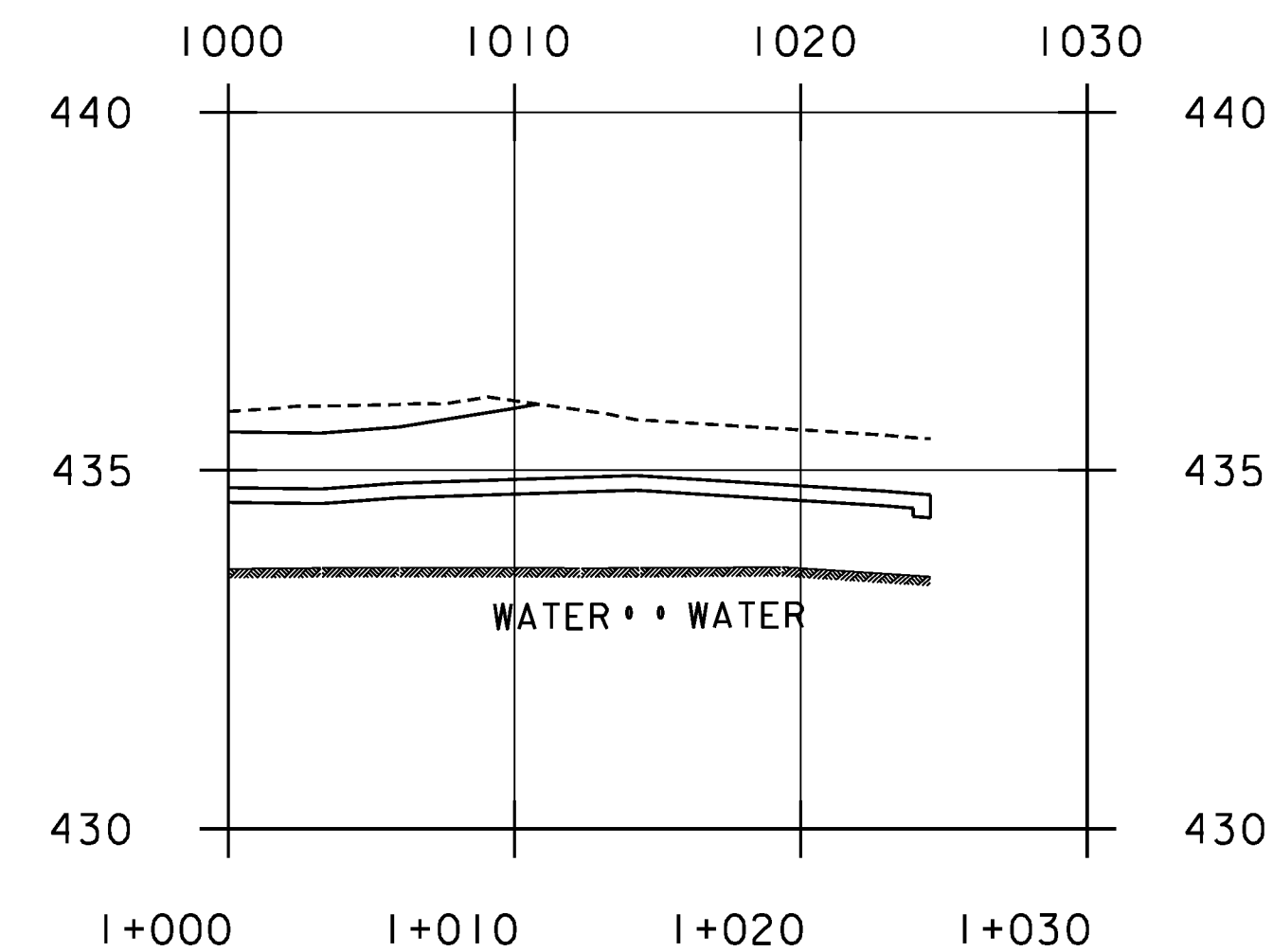
FAIRPOINT & SOVERNET BETWEEN DUCTS TD2 & TD3



CHARTER BETWEEN DUCTS TD1 & TD3



CVPS (T) BETWEEN DUCTS TD2 & TD3



- EXISTING GRADE
- FINISH GRADE
- (T) CVPS 3-PHASE
- (S) CVPS SINGLE PHASE

**REPLACEMENT SHEETS
ISSUED 02/24/2012**

INTERSECTION 1 BETWEEN DUCTS 1&3,2&3



PROJECT NAME: DANVILLE
PROJECT NUMBER: F EGC 028-3(32)

FILE NAME: ...\\100 det_profiles.pff
DESIGN SUPERVISOR: GARY SANTY
DESIGNED BY: STANTEC
DUCT BANK PROFILES DTP-04

PLOT DATE: 2/24/2012
DRAWN BY: STANTEC
CHECKED BY: STANTEC
SHEET 215C OF 306