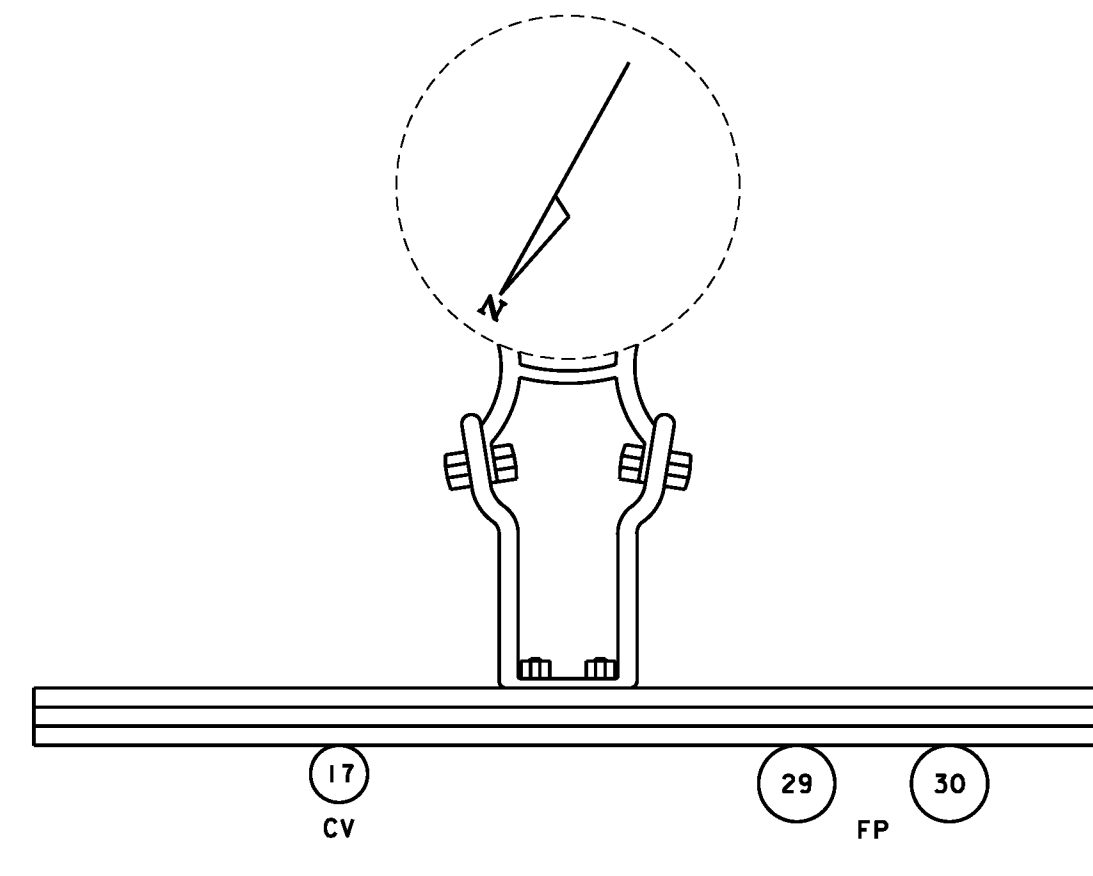
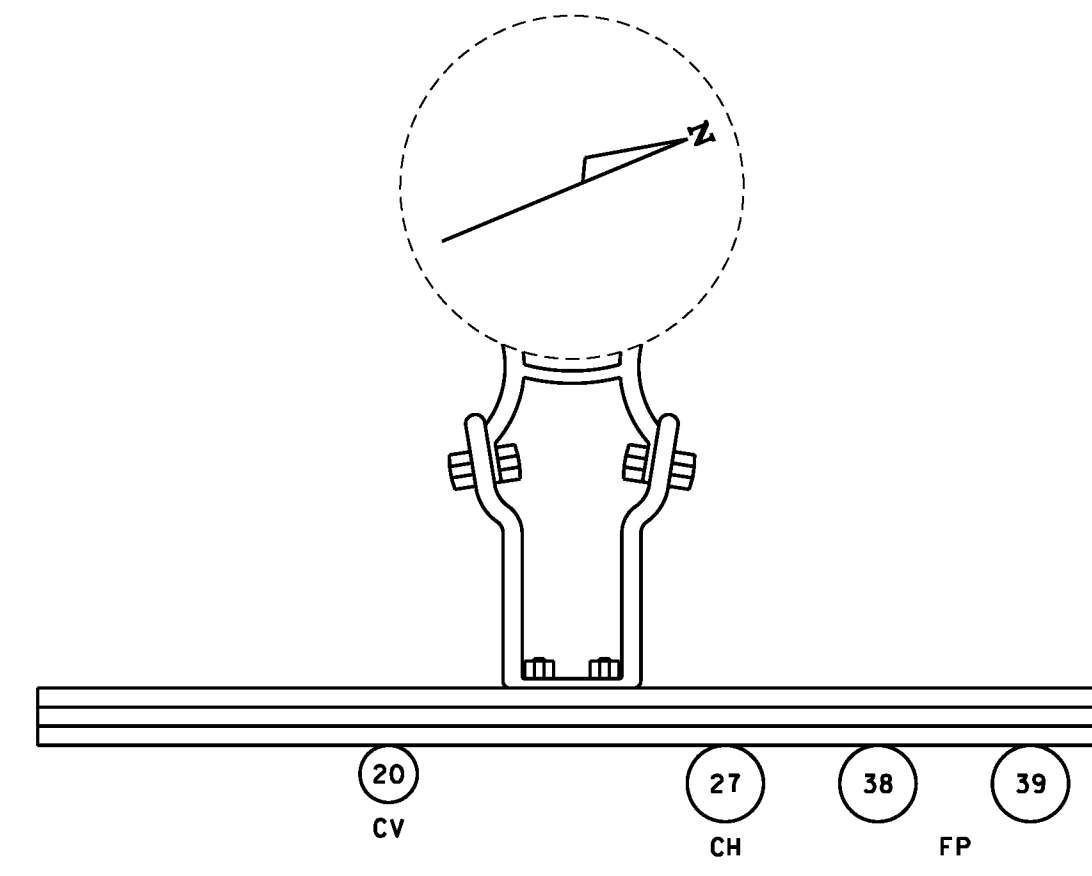


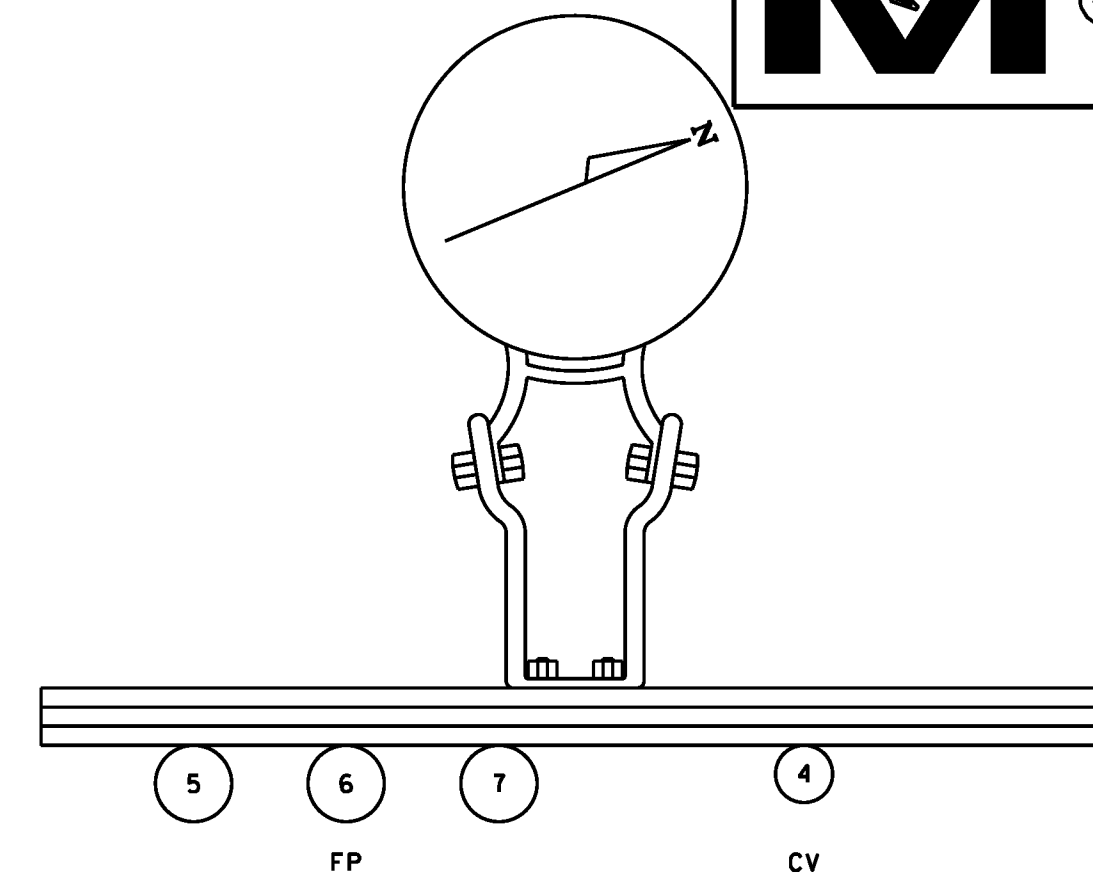
**RISER DETAIL
EX UP#1**
N.T.S.



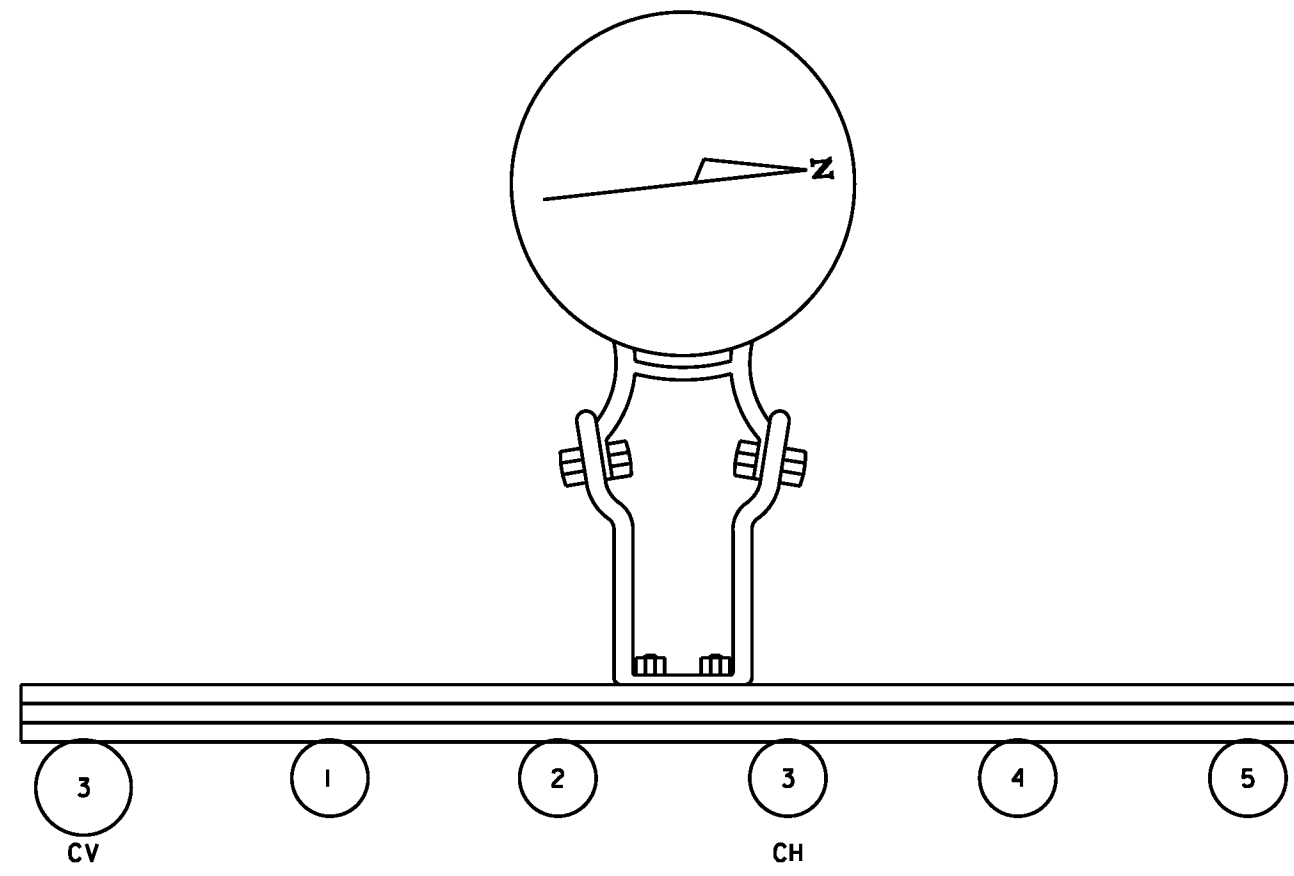
**RISER DETAIL
EX UP#2**
N.T.S.



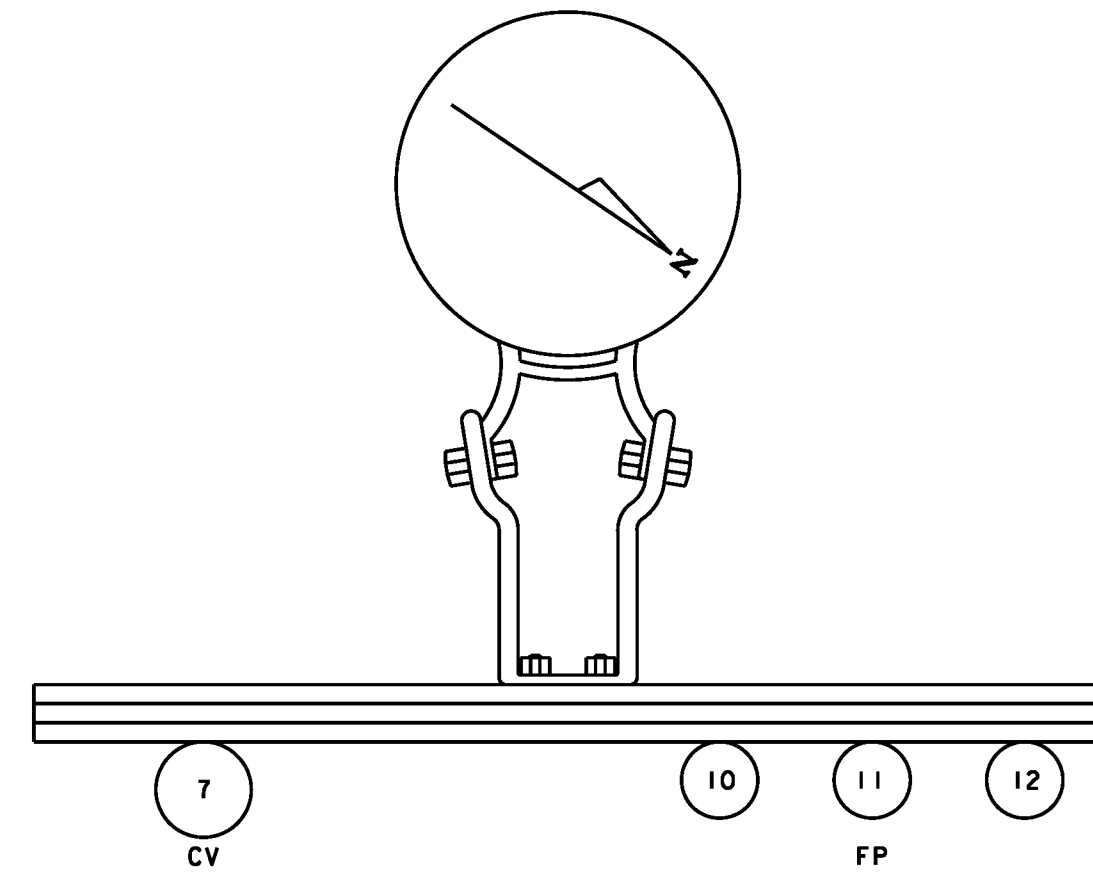
**RISER DETAIL
EX UP#3**
N.T.S.



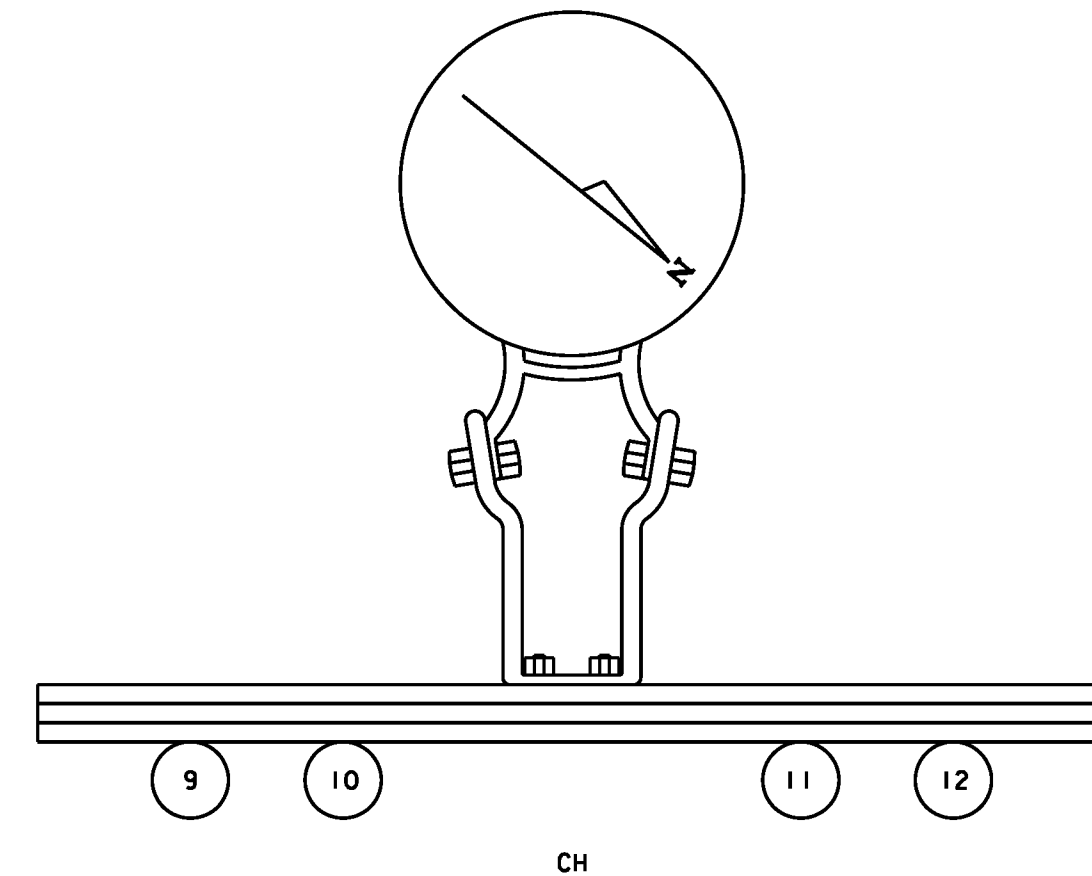
**RISER DETAIL
UP#1**
N.T.S.



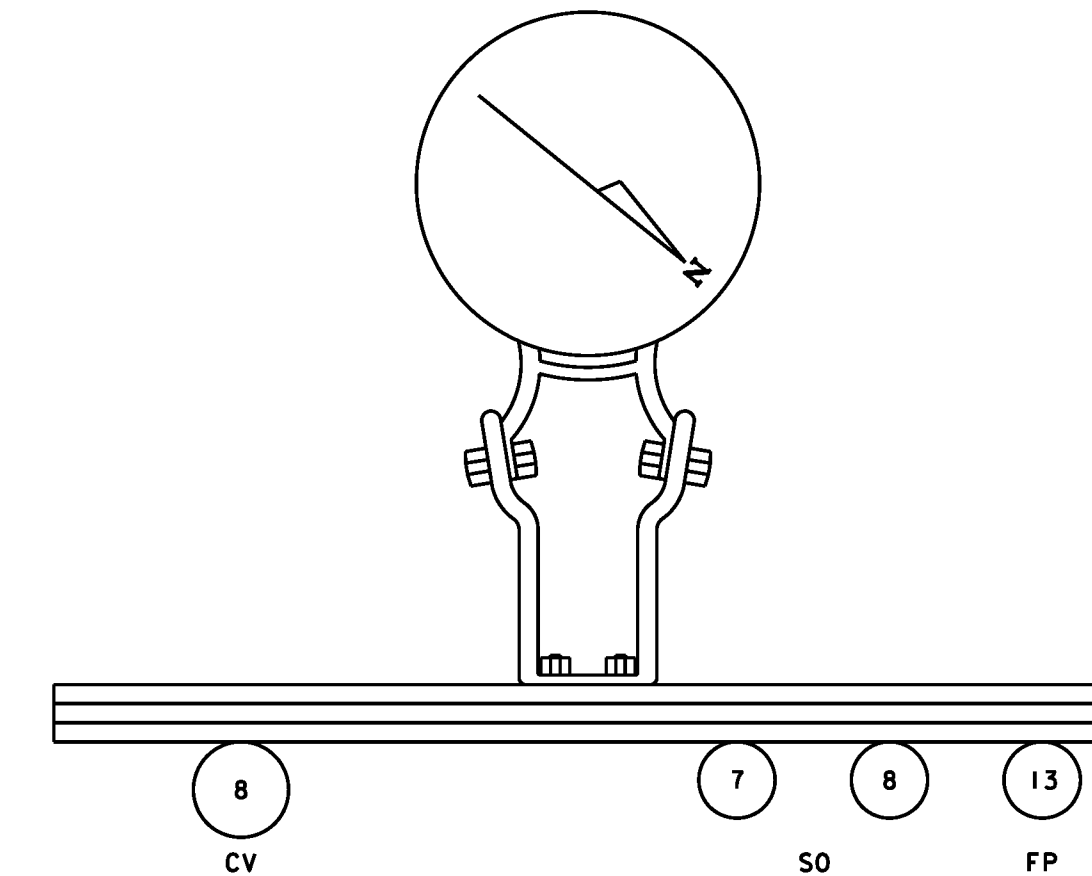
**RISER DETAIL
UP#2**
N.T.S.



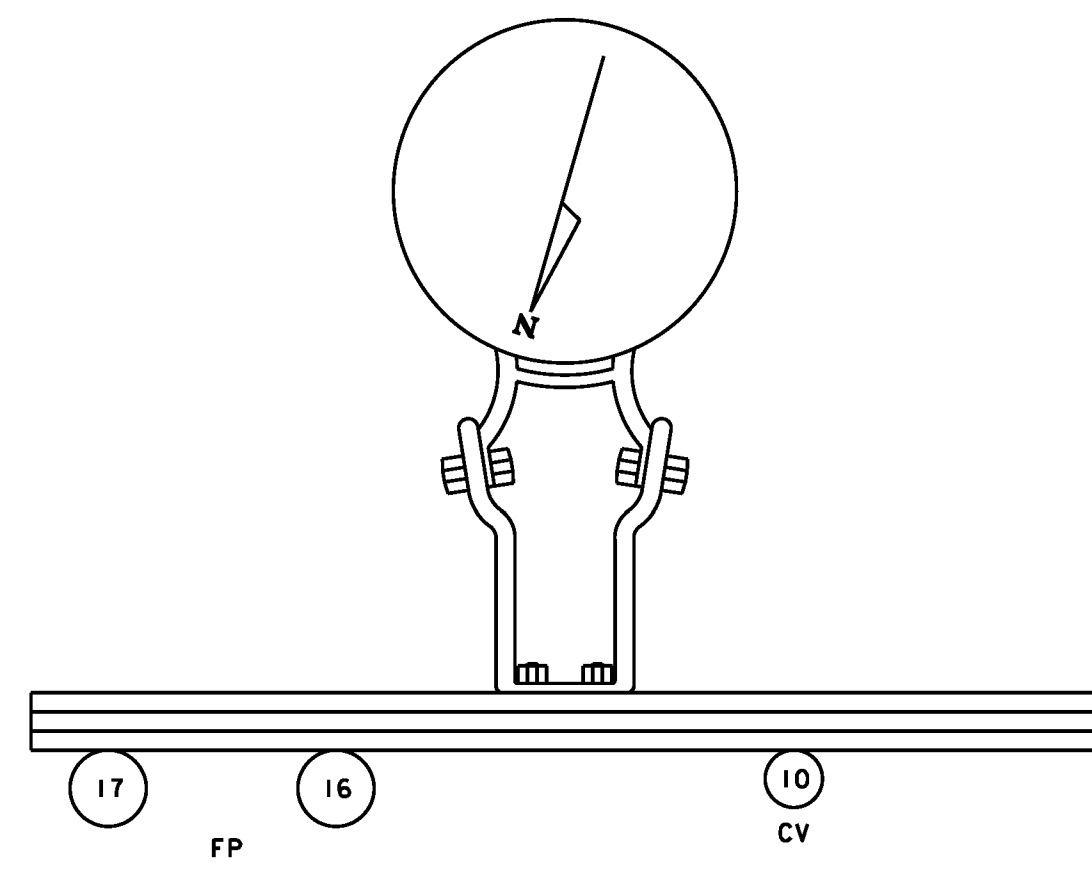
**RISER DETAIL
UP#3**
N.T.S.



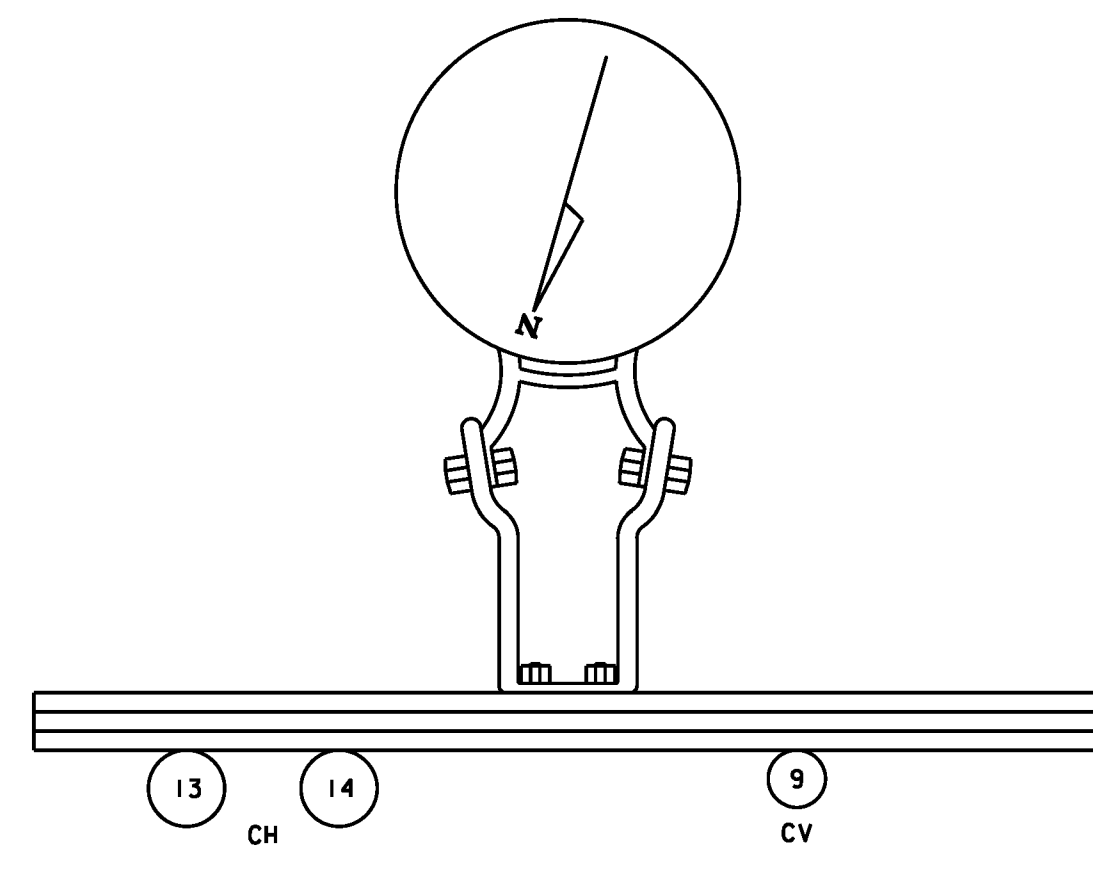
**RISER DETAIL
UP#4**
N.T.S.



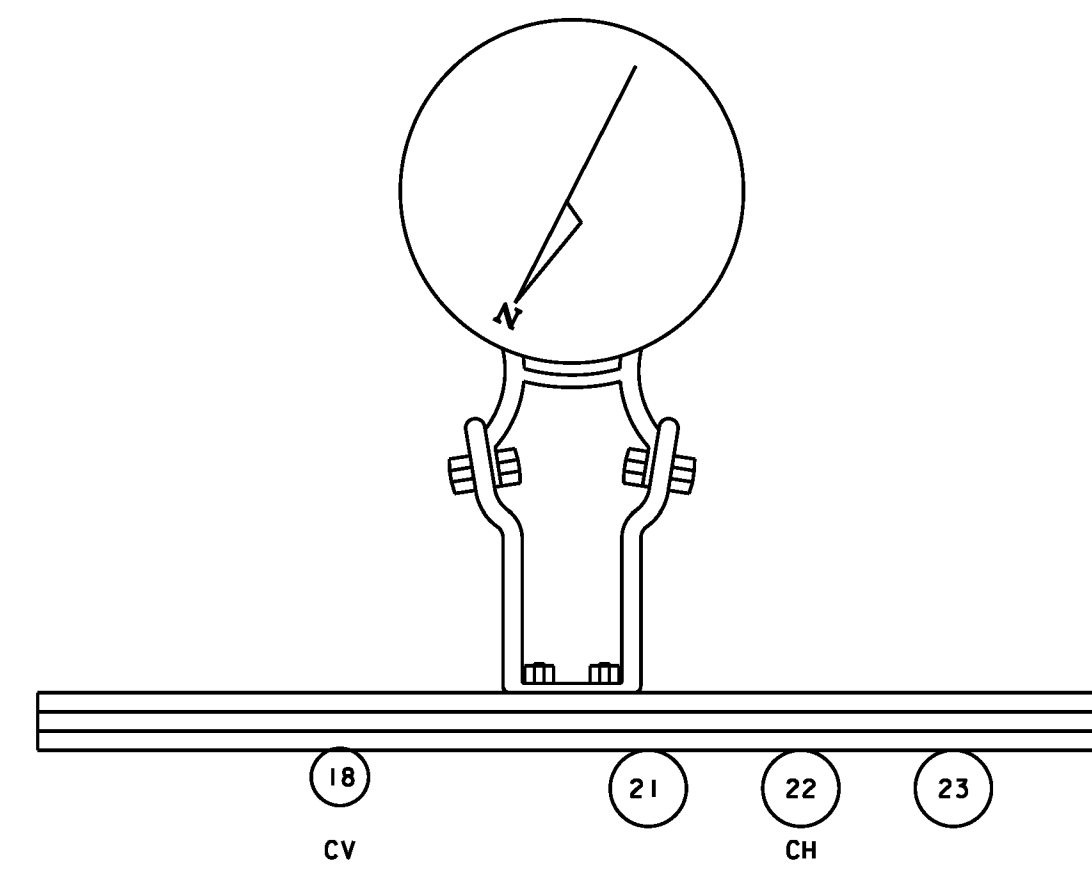
**RISER DETAIL
UP#5**
N.T.S.



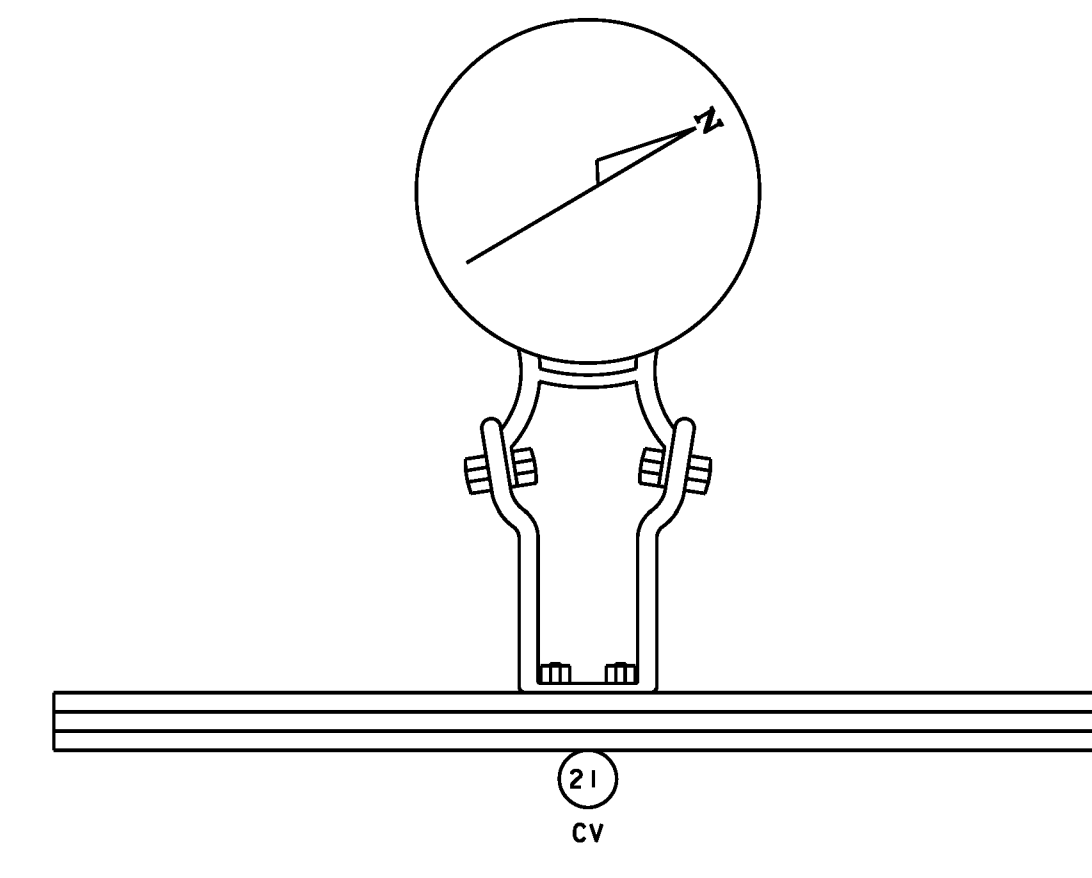
**RISER DETAIL
UP#6**
N.T.S.



**RISER DETAIL
UP#7**
N.T.S.



**RISER DETAIL
UP#8**
N.T.S.



**RISER DETAIL
UP#9**
N.T.S.

2/24/2012 3:43:33 PM V:\E3\active\9530033_0092\Construction\Field_Changes\Underground_utility_revisions\001_det_risers.prf

NOTES:
1. THESE RISER DETAILS ARE MEANT FOR INFORMATIONAL PURPOSES ONLY. EACH DETAIL SHALL BE USED TO IDENTIFY THE UTILITY COMPANY, CONDUIT DESIGNATION, CONDUIT SIZE AND NUMBER OF CONDUIT LEADING TO OR COMING FROM EACH POLE. THE EXACT LAYOUT AND LOCATION OF EACH CONDUIT ON THE RISER SHALL BE DECIDED BY EACH UTILITY COMPANY.

**REPLACEMENT SHEETS
ISSUED 02/24/2012**



PROJECT NAME: DANVILLE
PROJECT NUMBER: F EGC 028-3(32)

FILE NAME: ...\\00 det_risers.prf
DESIGN SUPERVISOR: GARY SANTY
DESIGNED BY: STANTEC
UTILITY POLE RISER DETAILS RD-01

PLOT DATE: 2/24/2012
DRAWN BY: STANTEC
CHECKED BY: STANTEC
SHEET 214 OF 306