

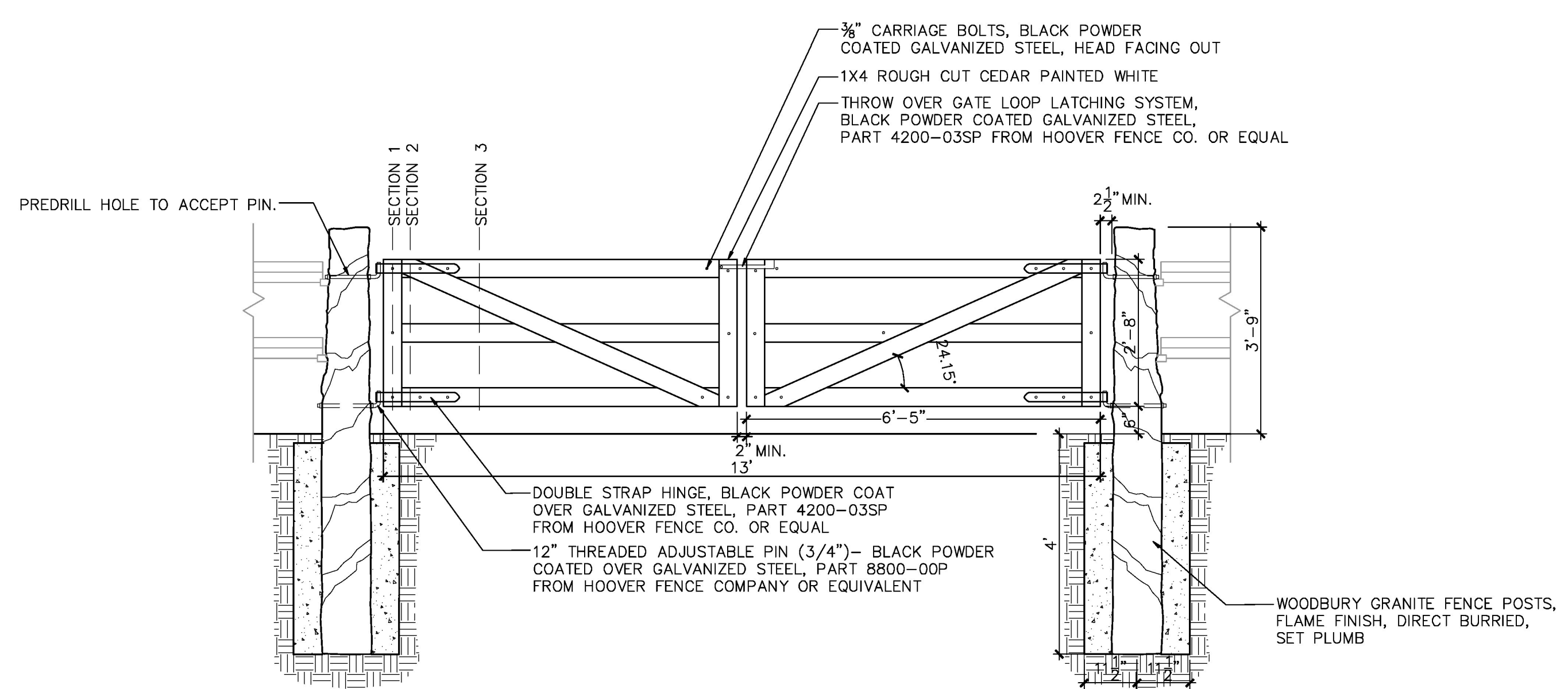
NOTES:
 1. SIGNS PANELS AND ALL ASSOCIATED HARDWARE TO BE PROVIDED BY OTHERS.
 2. CONTRACTOR RESPONSIBLE FOR POST INSTALLATION, PROVIDING LEVEL AND SMOOTH SURFACE ON TOP OF POST, AND AUGER HOLES TO ACCEPT RODS.
 3. CONTRACTOR TO COORDINATE INSTALLATION OF SIGN PANELS AFTER POST INSTALLATION, INSTALLATION OF SIGN BY OTHERS.
 4. CONTRACTOR RESPONSIBLE FOR CONNECTION TO FENCE.
 5. RAILS TO BE LOCATED AS CLOSE TO POST AS POSSIBLE; USE SMOOTHEST SIDE OF POST TO ACCEPT RAIL.
 6. SEE LLP-1 AND LLP-9 FOR SIGN POST AND FENCING PLAN LOCATION AT DANVILLE ENTRY.



WELCOME SIGN PANEL AT POST #23 AND #25



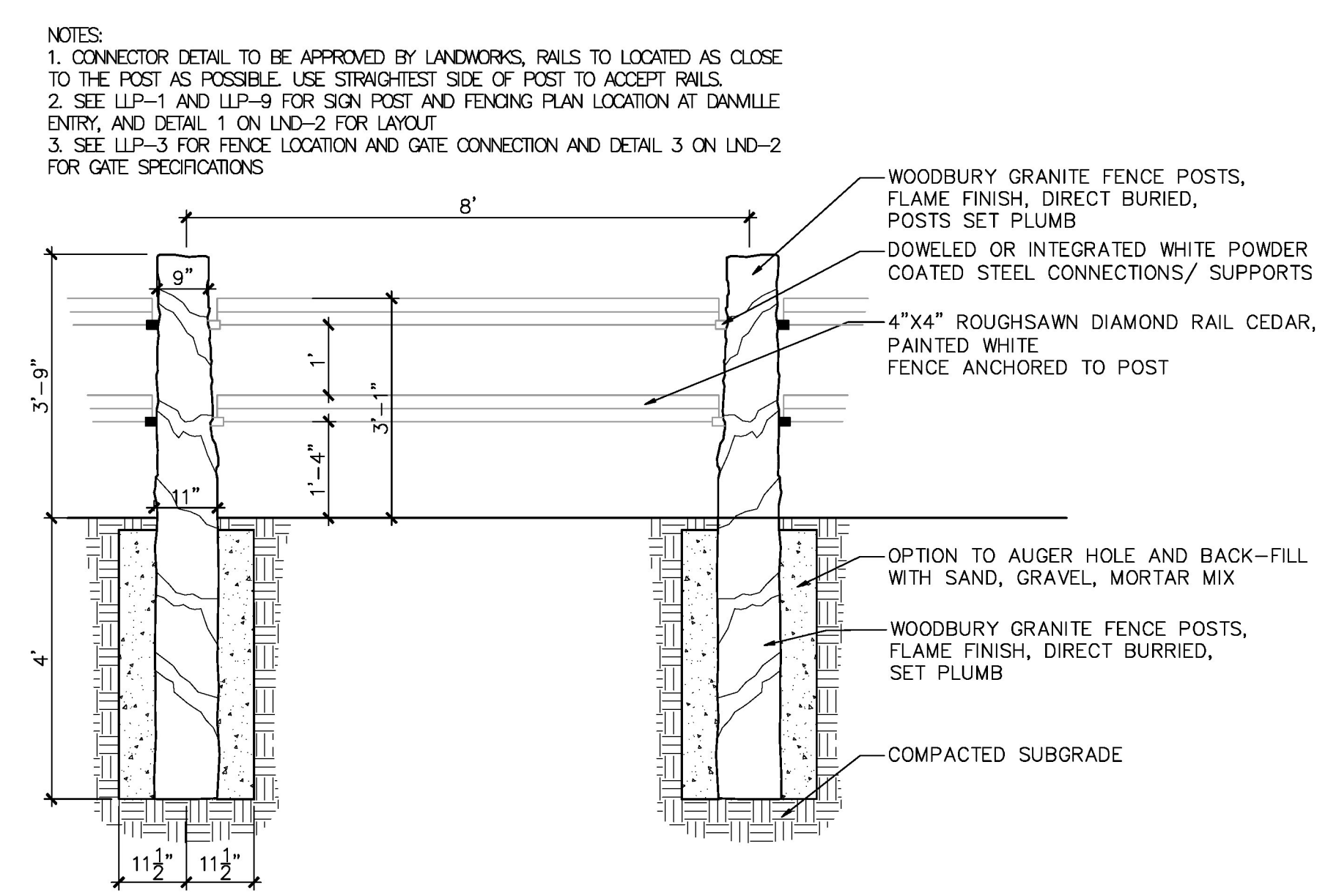
SAFE JOURNEY SIGN PANEL AT POST #24 AND #26



NOTE: ALL CEDAR IN GATE TO BE PAINTED WHITE.

1 LND-2 WELCOME SIGN- GRANITE POSTS 23, 24, 25, 26 SCALE: 1/2"=1'

3 LND-2 GATE AT SCHOOL SCALE: 1/2"=1'



NOTES:
 1. CONNECTOR DETAIL TO BE APPROVED BY LANDWORKS, RAILS TO BE LOCATED AS CLOSE TO THE POST AS POSSIBLE. USE STRAIGHTEST SIDE OF POST TO ACCEPT RAILS.
 2. SEE LLP-1 AND LLP-9 FOR SIGN POST AND FENCING PLAN LOCATION AT DANVILLE ENTRY, AND DETAIL 1 ON LND-2 FOR LAYOUT.
 3. SEE LLP-3 FOR FENCE LOCATION AND GATE CONNECTION AND DETAIL 3 ON LND-2 FOR GATE SPECIFICATIONS.

GENERAL NOTES:
 1. ALL WORK ON THIS SHEET SHALL BE PAID UNDER ITEM 900.840 SPECIAL PROVISION (GRANITE POST AND WOOD DIAMOND RAIL FENCE).
 2. SEE LANDSCAPE GENERAL NOTES SHEET LNS-1 FOR MORE INFORMATION.
 3. FOR WOOD SURFACES "PAINTED WHITE", USE SIKKENS RUBBOL SOLID DEK, COLOR WHITE 100.
 4. SEE LANDSCAPE GENERAL NOTES SHEET LNS-2 FOR APPROVED MATERIAL ALTERNATES.
 5. ALL DIMENSIONS ARE IN FEET AND INCHES.

2 LND-2 GRANITE POST AND WOOD DIAMOND RAIL FENCE DETAIL SCALE: 1/2"=1'

PROJECT NAME: DANVILLE	
PROJECT NUMBER: F EGC 028-3(32)	
FILE NAME: LND 2	PLOT DATE: 1.19.2011
DESIGN SUPERVISOR: DR	DRAWN BY: RF
DESIGNED BY: LW	CHECKED BY: DR
LANDSCAPE DETAILS SHEET LND-2	SHEET 196 OF 306

LandWorks
 228 Maple St. suite 32
 Middlebury, VT 05753
 phone: 802.388.3011
 fax: 802.388.1950
 www.landworksvt.com