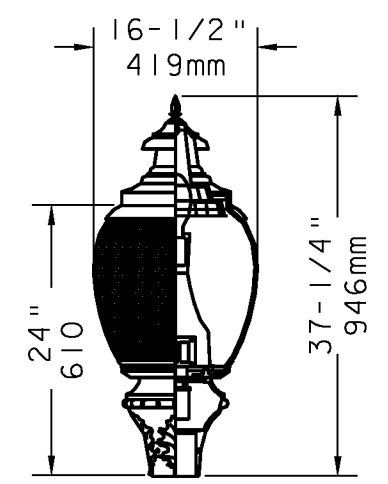


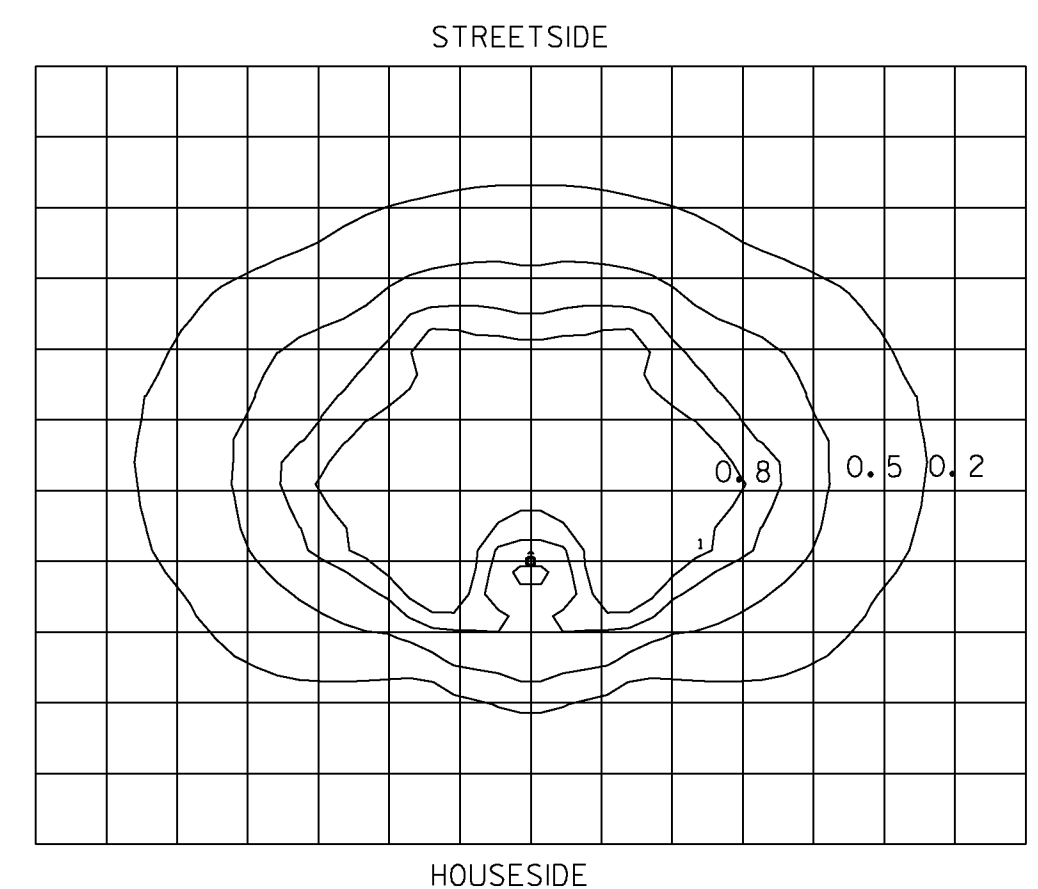
LUMINAIRE:
 LENS FINISH: FROSTED CLEAR POLYCARBONATE
 HOUSING: ALUMINUM

LAMP:
 TYPE: 150W METAL HALIDE
 LUMENS: 10,500 MEAN LMS
 CAT. NO.: ED 17 MED 175/VBD

ANSI/IES TYPE:
 TYPE III CUT-OFF OPTICS WITH HOUSE SHIELD

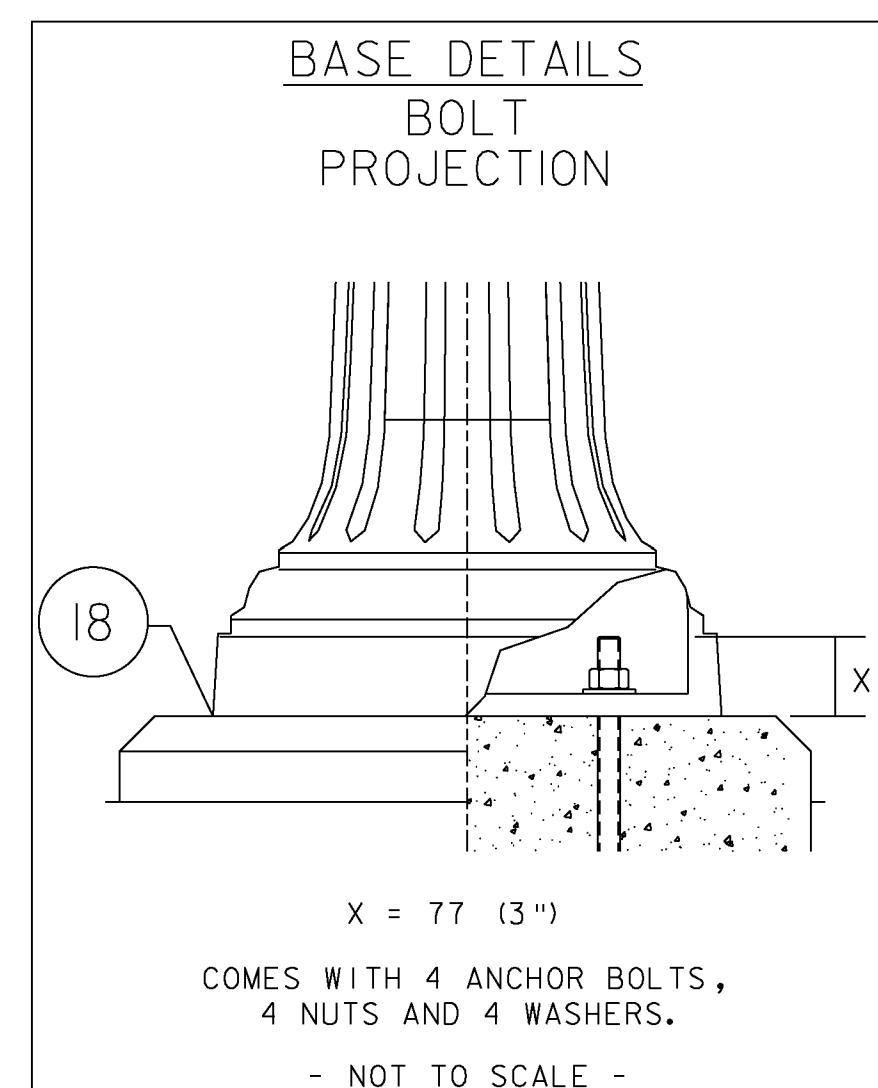


MOUNTING HEIGHT TO LUMINOUS CENTER: 5.5M (18.0')
 GRID SIZE: 3 METER SQUARES

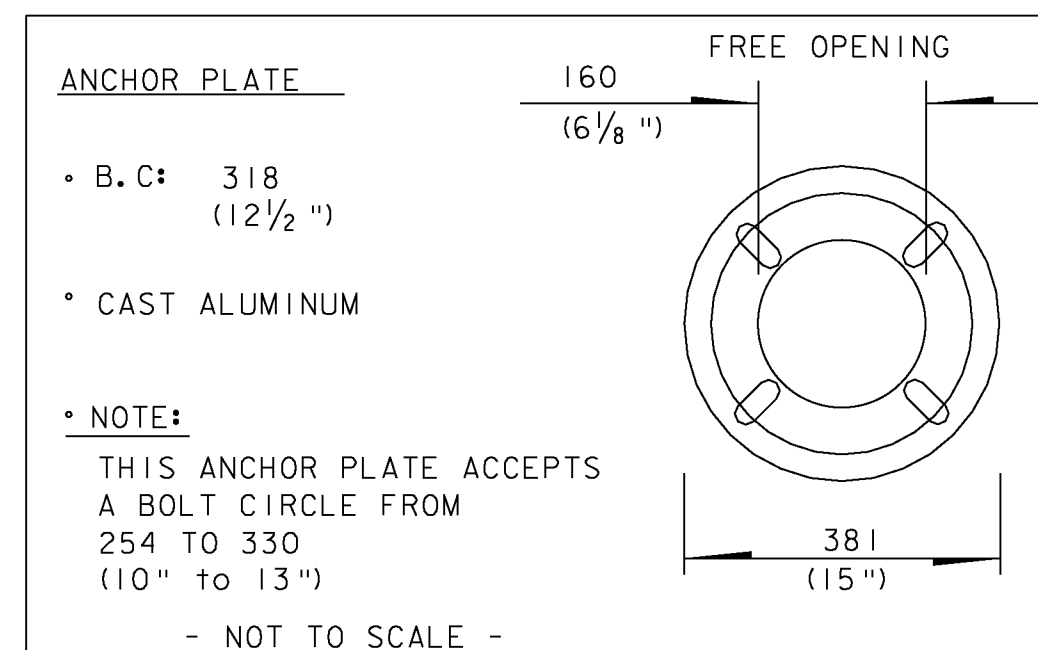


GRID SIZE: 3 METER SQUARES

FIXTURE TYPE 'B'
ISO-FOOTCANDLE DATA
 NO SCALE



° ANCHORING BOLTS
 STAINLESS STEEL, 19 x 686 (3/4" x 27")
 (supplied by LUMEC inc).



TYPE B LUMINAIRE: 150MH-S55-DSX3120-HS-FN1-BKTK

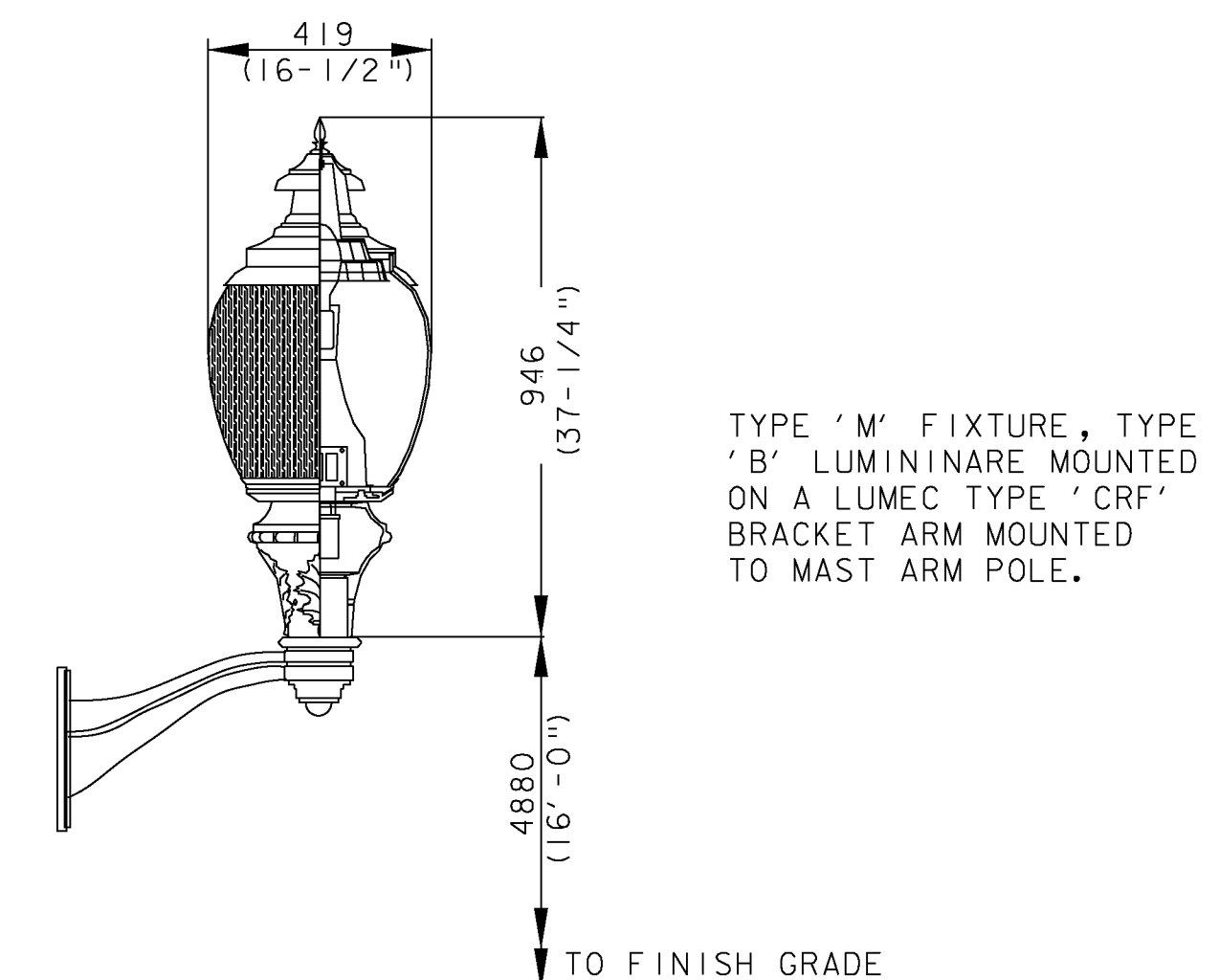
1. FINIAL: DECORATIVE CAST 356 ALUMINUM, MECHANICALLY ASSEMBLED.
2. CUPOLA: DECORATIVE SPUN ALUMINUM 1100-O, MECHANICALLY MOUNTED ON HOOD.
3. HOOD: SPUN ALUMINUM 1100-O DOME, MECHANICALLY ASSEMBLED ON THE LUMINAIRE.
4. GLOBE: MADE OF ONE-PIECE ROTO-MOLDED FROSTED CLEAR POLYCARBONATE. THE GLOBE IS MECHANICALLY ASSEMBLED ON THE ACCESS-MECHANISM.
5. LAMP: 150 WATTS METAL HALIDE, ED 17 BULB, MEDIUM BASE.
6. OPTICAL SYSTEM: (SE3), I.E.S. TYPE III (ASYMMETRICAL) WITH HOUSE SHIELD. CUT-OFF OPTICAL SYSTEM. MULTI-FACETED HYDROFORMED ALUMINUM REFLECTOR BRIGHTENED AND ANODIZED, MECHANICALLY ASSEMBLED ON THE LUMINAIRE.
7. BALLAST: HIGH POWER FACTOR OF 90%. PRIMARY VOLTAGE 120 VOLTS. LAMP STARTING CAPACITY -20F (-30C) DEGREES. ASSEMBLED ON A UNITIZED REMOVABLE TRAY WITH QUICK DISCONNECT PLUG.
8. ACCESS-MECHANISM: ROTOMATIC, DIE-CAST A380 ALUMINUM QUARTER-TURN MECHANISM WITH CONSTANT-PRESSURE SPRING-LOADED POINTS. THE MECHANISM SHALL OFFER TOOL FREE ACCESS TO THE INSIDE OF THE LUMINAIRE, LAMP AND BALLAST TRAY. AN EMBEDDED MEMORY-RETENTIVE GASKET SHALL ENSURE WEATHERPROOFING. A RED KEY ON THE BALLAST TRAY SHALL INDICATE POINT OF ENGAGEMENT.
9. FITTER: CAST 356 ALUMINUM C/W 4 SET SCREWS 1/4-20 UNC. SLIP-FITS ON A 102 (4") OUTSIDE DIAMETER X 102 (4") LONG TENON.

POLE RTA906V-16-PH7/120-GFI-BXTX-BA

10. POLE SHAFT: SHALL BE MADE FROM A 127 (5") 16 FLUTED MANDRELL-FORMED, TAPERED ALUMINUM SHAFT 150 (6") ROUND, HAVING A 6.4 (0.250") WALL THICKNESS, WELDED TO THE POLE BASE.
11. JOINT COVER: ONE-PIECE ROUND JOINT COVER MADE FROM CAST 356 ALUMINUM, MECHANICALLY FASTENED WITH STAINLESS STEEL SCREWS.
12. MAINTENANCE OPENING: THE POLE SHALL HAVE A 102 WIDE X 229 LONG (4" X 9") MAINTENANCE OPENING CENTERED 397 (15 5/8") FROM THE BOTTOM OF THE ANCHOR PLATE, COMPLETE WITH A WEATHERPROOF CAST 356 ALUMINUM COVER AND A FACTORY ASSEMBLY COPPER GROUND LUG.
13. POLE BASE: SHALL BE MADE FROM A ROUND FLUTED CAST ALUMINUM BASE COMPLETE WITH A CAST-IN ANCHOR PLATE.
14. POLE OPTIONS: PH7 BUTTON TYPE PHOTOCCELL, 120 VOLTS.
15. POLE OPTIONS: DUPLEX GFCI RECEPTACLE, 15 A, 120 VOLTS, COMPLETE WITH A WEATHERPROOF COVER (ON FIXTURES SL-48, 50, 56 & 58 ONLY).
- 15A. VENDOR RECEPTACLES MOUNTED LOW ON POLES SHALL BE PROVIDED FOR FIXTURES IN THE GREEN WITH IN-USE WEATHER PROOF LOCKABLE METAL COVERS, SEE LIGHTING DETAIL SHEET LTD-5 FOR POLE LOCATIONS (ON FIXTURES SL-48, 50, 56 & 58 ONLY). RECEPTACLES SHALL BE CIRCUITED FROM SEPARATE PANEL GRN VENDOR RECEPTACLES.

MISCELLANEOUS

16. WIRING: TYPE TEW 14 GA. 152 (6") MINIMUM EXCEEDING FROM LUMINAIRE. VENDOR RECEPTACLES MOUNTED LOW ON POLES SHALL BE PROVIDED FOR FIXTURES IN THE GREEN, SEE LIGHTING DETAIL SHEETS LTD-5 FOR LOCATIONS.
17. HARDWARE: ALL EXPOSED SCREWS WILL BE IN STAINLESS STEEL. NEOPRENE AND/OR SILICONE GASKETING IS APPLIED.
18. COATING: APPLY ON EPOXY BASE COAT FOR CORROSION RESISTANCE, AND A URETHANE TOP COAT FOR ULTRAVIOLET PROTECTION ON THE ALUMINUM POLE BASE.



STREET LIGHT 'M' DETAIL

N.T.S.

PROJECT NAME: DANVILLE
 PROJECT NUMBER: F EGC 028-3(32)

FILE NAME: ...\\PlotFiles\\lighting-det05.prf PLOT DATE: 2/24/2012
 DESIGN SUPERVISOR: GARY SANTY DRAWN BY: STANTEC
 DESIGNED BY: STANTEC CHECKED BY: STANTEC
 LIGHTING DETAILS SHEET LTD-2 SHEET 189 OF 306

REPLACEMENT SHEETS
ISSUED 02/24/2012

