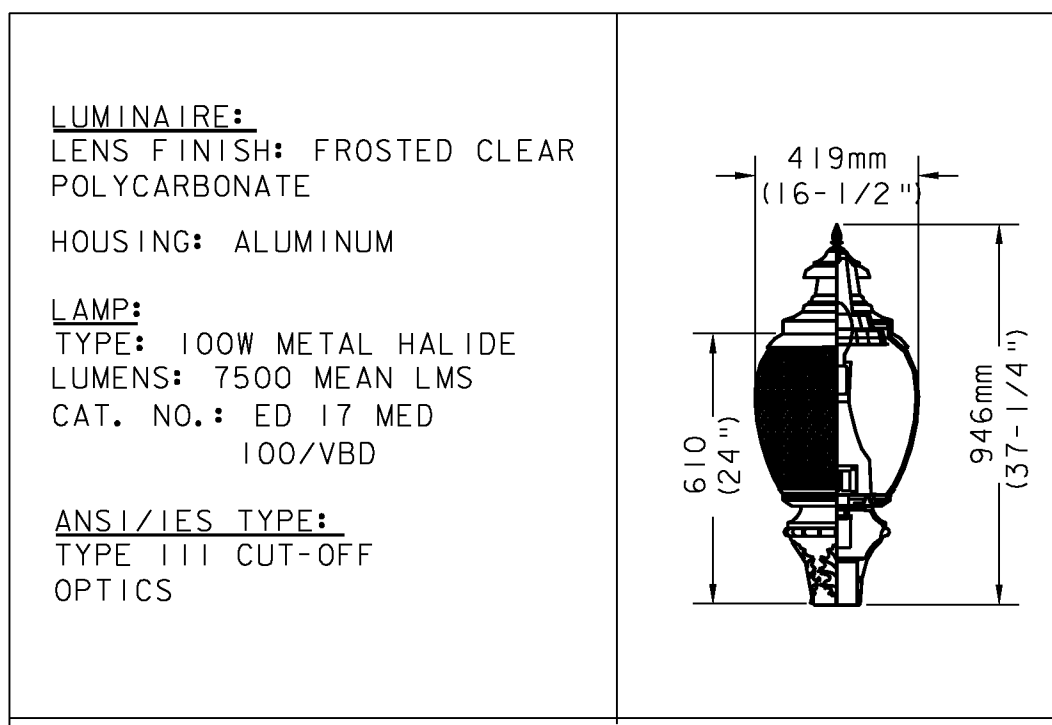
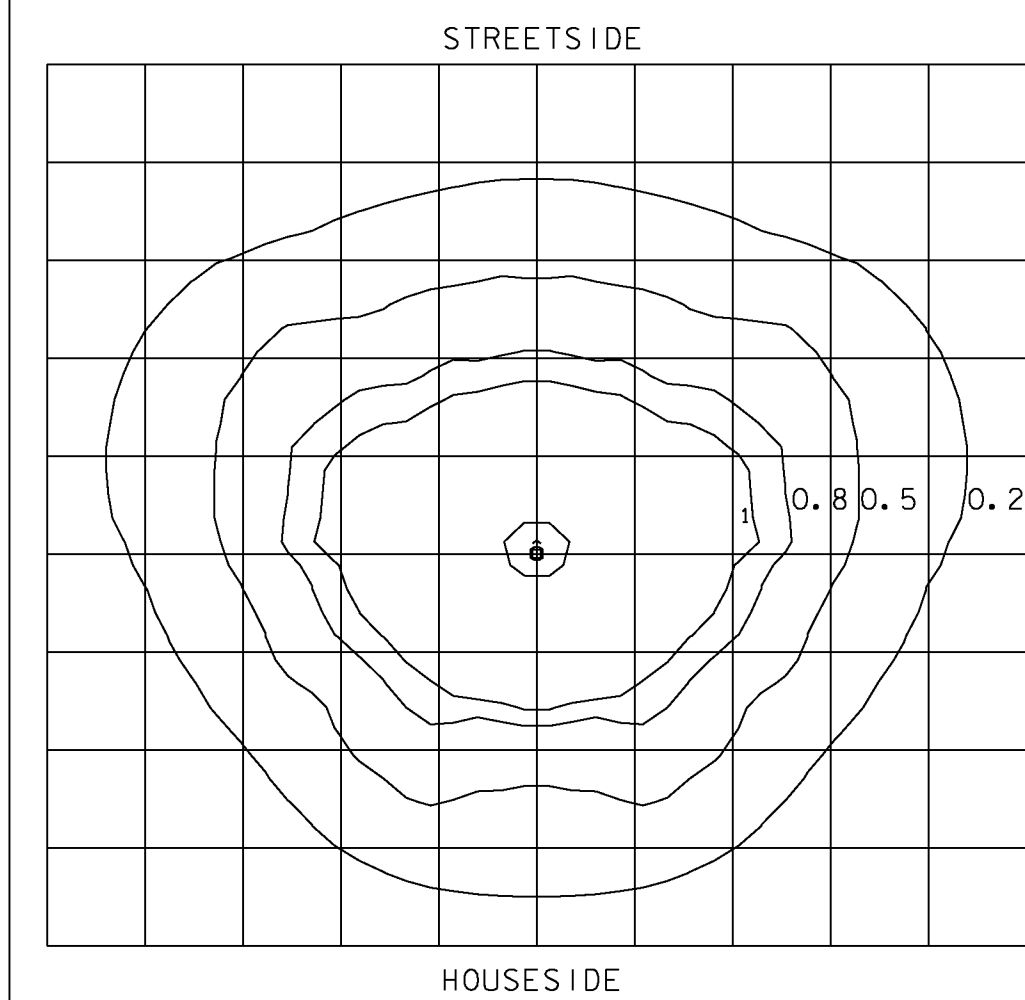


**STREET LIGHT 'A' DETAIL**  
N.T.S.

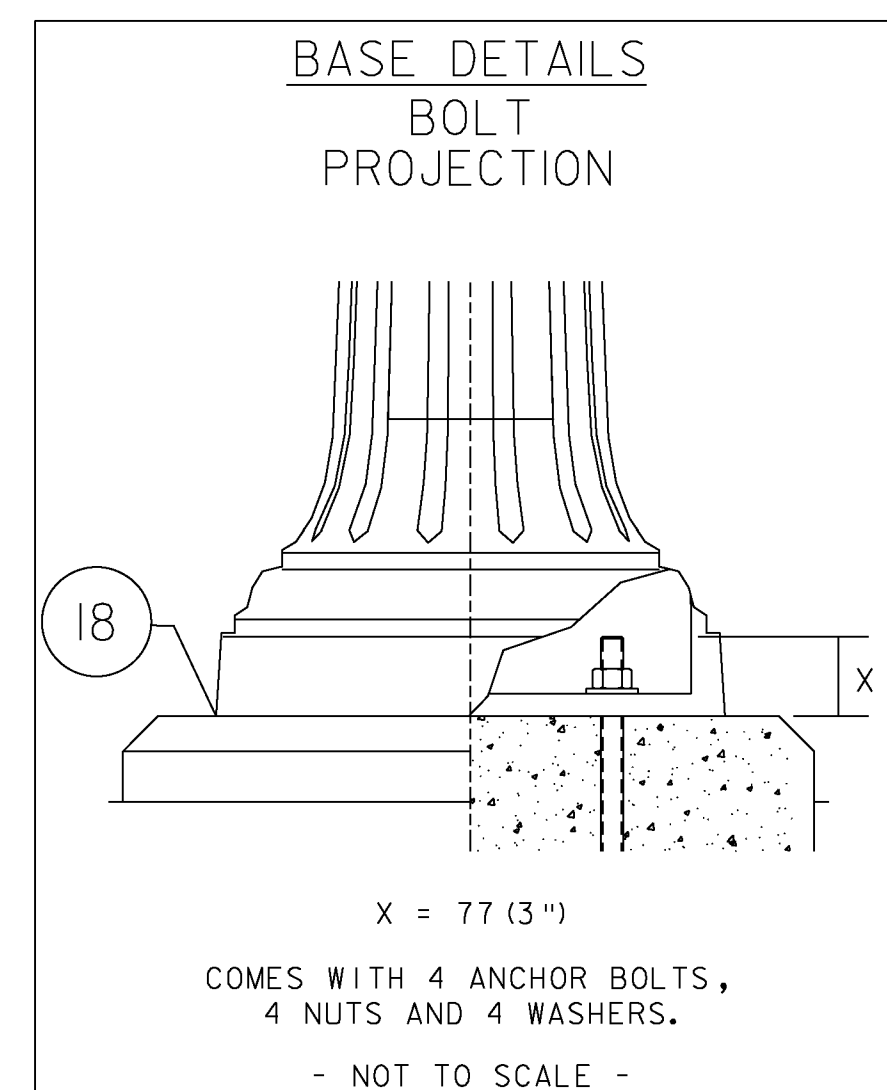


MOUNTING HEIGHT TO LUMINOUS CENTER: 4.2M (14.0')



GRID SIZE: 3 METER SQUARES

**FIXTURE TYPE 'A'**  
**ISO-FOOTCANDLE DATA**  
NO SCALE



° ANCHORING BOLTS  
STAINLESS STEEL, 19 x 686  
(supplied by LUMEC inc). (3/4 "x 27")

**LUMINAIRE: 100MH-S55-PCFC-DSX3-120-SFO-BKTX-1-FN1**

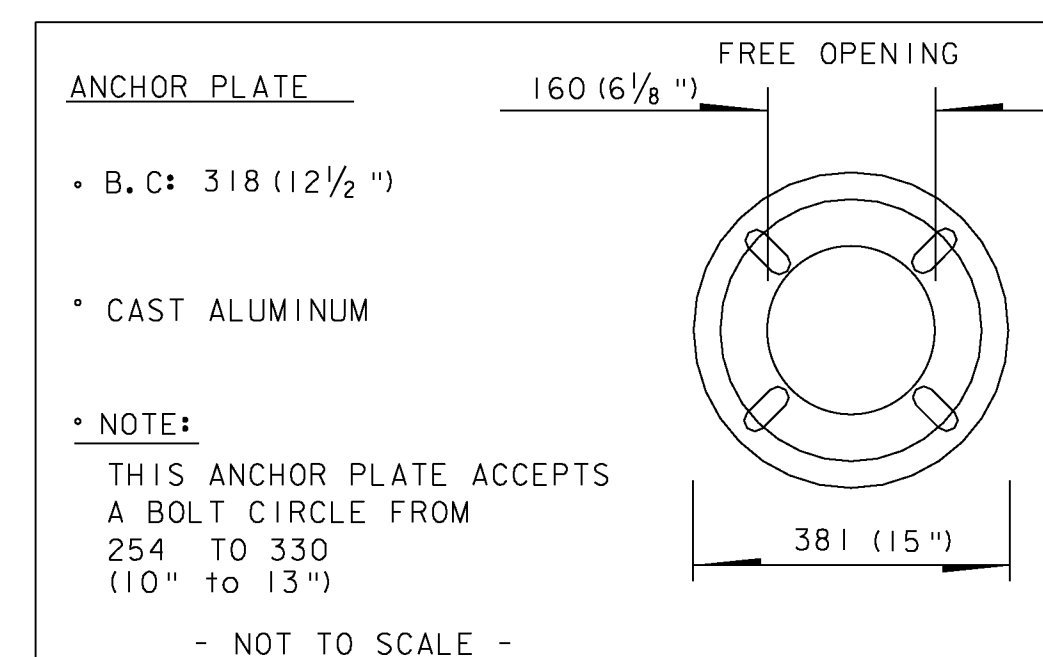
1. FINIAL: DECORATIVE CAST 356 ALUMINUM, MECHANICALLY ASSEMBLED.
2. CUPOLA: DECORATIVE SPUN ALUMINUM 1100-0, MECHANICALLY MOUNTED ON HOOD.
3. HOOD: SPUN ALUMINUM 1100-0 DOME, MECHANICALLY ASSEMBLED ON THE LUMINAIRE.
4. GLOBE: MADE OF ONE-PIECE ROTO-MOLDED FROSTED CLEAR POLYCARBONATE. THE GLOBE IS MECHANICALLY ASSEMBLED ON THE ACCESS-MECHANISM.
5. LAMP: 100 WATTS METAL HALIDE, ED 17 BULB, MED BASE.
6. OPTICAL SYSTEM: (SE3), I.E.S. TYPE III (ASYMMETRICAL), CUT-OFF OPTICAL SYSTEM. MULTI-FACETED HYDROFORMED ALUMINUM REFLECTOR BRIGHTENED AND ANODIZED, MECHANICALLY ASSEMBLED ON THE LUMINAIRE.
7. BALLAST: HIGH POWER FACTOR OF 90%. PRIMARY VOLTAGE 120 VOLTS. LAMP STARTING CAPACITY -20F (-30C) DEGREES. ASSEMBLED ON A UNITIZED REMOVABLE TRAY WITH QUICK DISCONNECT PLUG.
8. ACCESS-MECHANISM: ROTOMATIC, DIE-CAST A380 ALUMINUM QUARTER-TURN MECHANISM WITH CONSTANT-PRESSURE SPRING-LOADED POINTS. THE MECHANISM SHALL OFFER TOOL FREE ACCESS TO THE INSIDE OF THE LUMINAIRE, LAMP AND BALLAST TRAY. AN EMBEDDED MEMORY-RETENTIVE GASKET SHALL ENSURE WEATHERPROOFING. A RED KEY ON THE BALLAST TRAY SHALL INDICATE POINT OF ENGAGEMENT.
9. FITTER: CAST 356 ALUMINUM C/W 4 SET SCREWS 1/4-20 UNC. SLIP-FITS ON A 4" (102 ) OUTSIDE DIAMETER X 4" (102 ) LONG TENON.

**POLE RTA906V-12-PH7/120-GFI-BXTX-BA**

10. POLE SHAFT: SHALL BE MADE FROM A 5" (127 ) 12 FLUTED MANDRELL-FORMED, TAPERED ALUMINUM SHAFT 6" (150 ) ROUND, HAVING A 0.250" (6.4 ) WALL THICKNESS, WELDED TO THE POLE BASE.
11. JOINT COVER: ONE-PIECE ROUND JOINT COVER MADE FROM CAST 356 ALUMINUM, MECHANICALLY FASTENED WITH STAINLESS STEEL SCREWS.
12. MAINTENANCE OPENING: THE POLE SHALL HAVE A 4" WIDE X 9" LONG (102 X 229 ) MAINTENANCE OPENING CENTERED 15 3/8" (397 ) FROM THE BOTTOM OF THE ANCHOR PLATE, COMPLETE WITH A WEATHERPROOF CAST 356 ALUMINUM COVER AND A FACTORY ASSEMBLY COPPER GROUND LUG.
13. POLE BASE: SHALL BE MADE FROM A ROUND FLUTED CAST ALUMINUM BASE.
14. POLE OPTIONS: PH7 BUTTON TYPE PHOTOCCELL, 120 VOLTS.
15. POLE OPTIONS: DUPLEX GFCI RECEPTACLE, 15 A, 120 VOLTS, COMPLETE WITH A WEATHERPROOF COVER.
- 15A. VENDOR RECEPTACLES MOUNTED LOW ON POLES SHALL BE PROVIDED FOR FIXTURES IN THE GREEN WITH IN-USE WEATHER PROOF LOCKABLE METAL COVERS, SEE LIGHTING DETAIL SHEET LTD-5 FOR POLE LOCATIONS.

**MISCELLANEOUS**

16. WIRING: TYPE TEW 14 GA. 6" (152 ) MINIMUM EXCEEDING FROM LUMINAIRE
17. HARDWARE: ALL EXPOSED SCREWS WILL BE IN STAINLESS STEEL. NEOPRENE AND/OR SILICONE GASKETING IS APPLIED.
18. COATING: APPLY ON EPOXY BASE COAT FOR CORROSION RESISTANCE, AND A URETHANE TOP COAT FOR ULTRAVIOLET PROTECTION ON THE ALUMINUM POLE BASE.



**REPLACEMENT SHEETS**  
**ISSUED 02/24/2012**

PROJECT NAME: DANVILLE  
PROJECT NUMBER: F EGC 028-3(32)

FILE NAME: ...\\PlotFiles\\lighting-det01.prf PLOT DATE: 2/24/2012  
DESIGN SUPERVISOR: GARY SANTY DRAWN BY: STANTEC  
DESIGNED BY: STANTEC CHECKED BY: STANTEC  
**LIGHTING DETAILS SHEET LTD-1** SHEET 188 OF 306