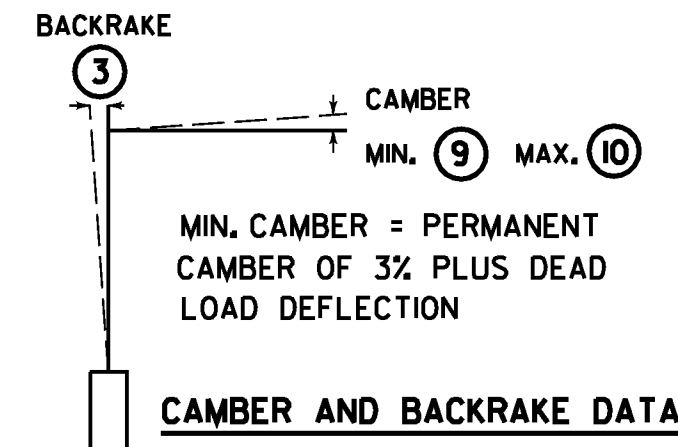
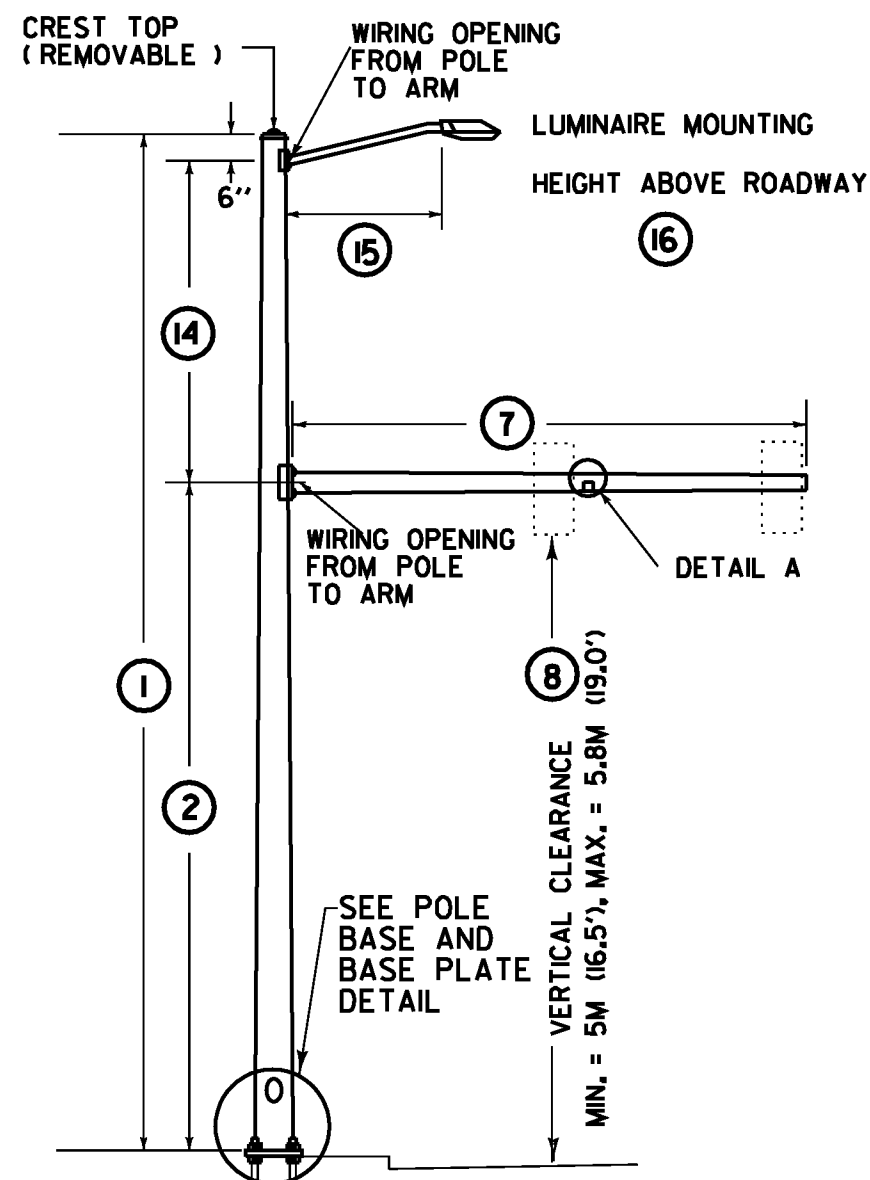


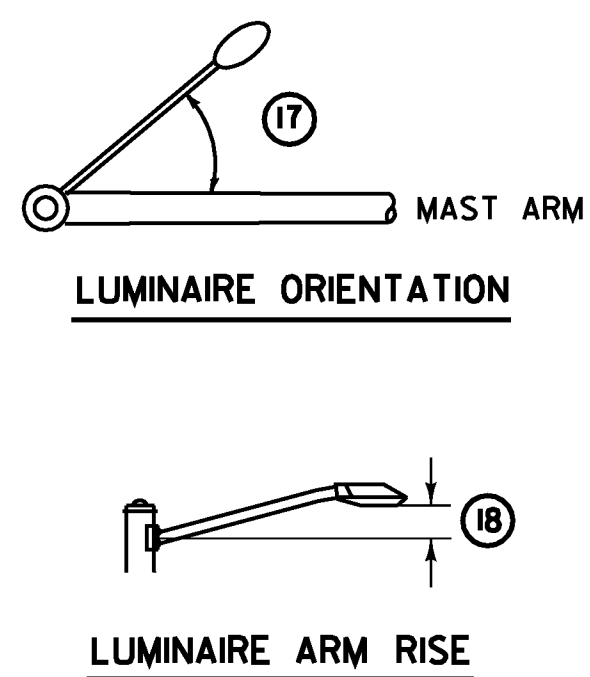
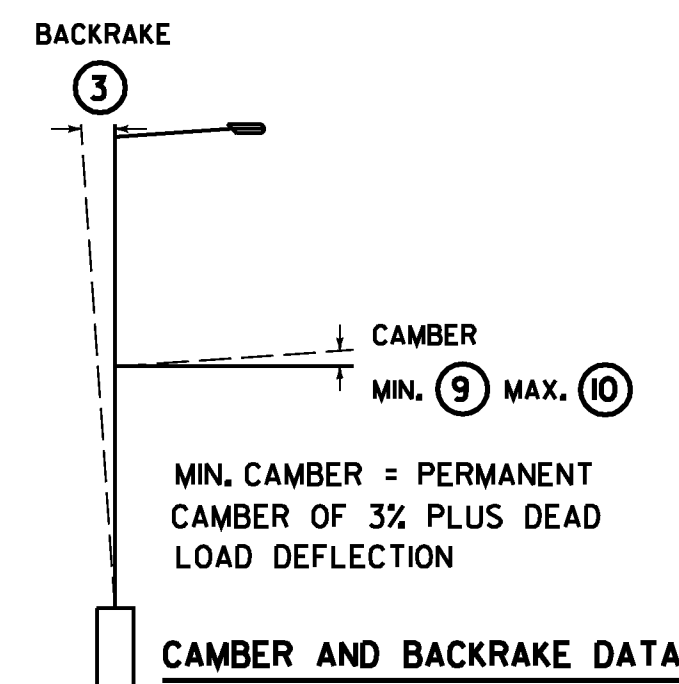
**TYPE A**



- POLE BASE DIAMETER ④
- POLE GAUGE ⑤
- POLE TAPER RATE ⑥
- ARM DIAMETER ⑪
- ARM GAUGE ⑫
- ARM TAPER RATE ⑬

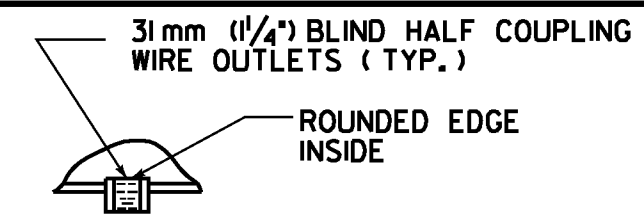


**TYPE B**

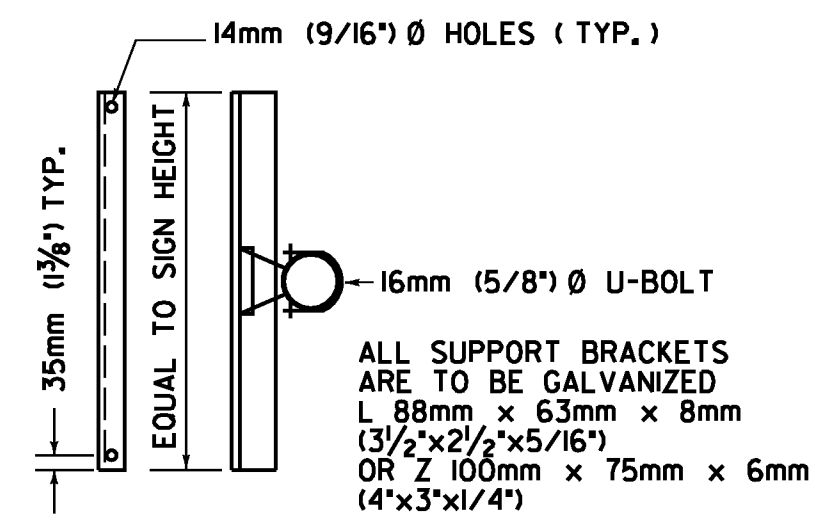


**LUMINAIRE ORIENTATION**

**LUMINAIRE ARM RISE**



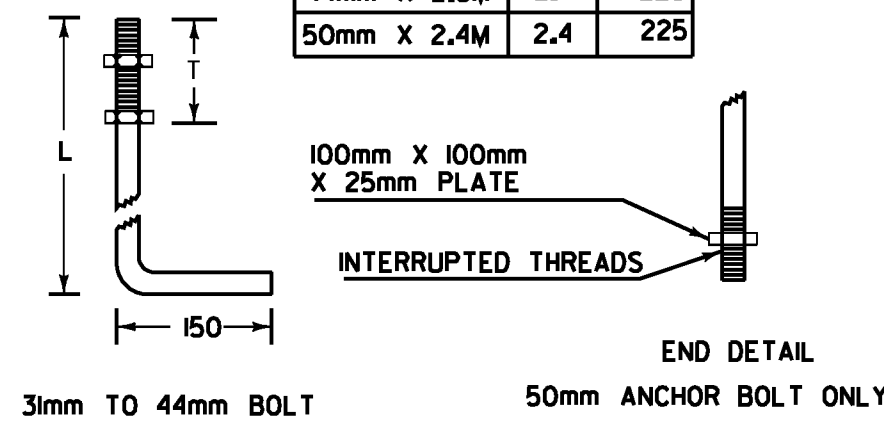
**DETAIL A**



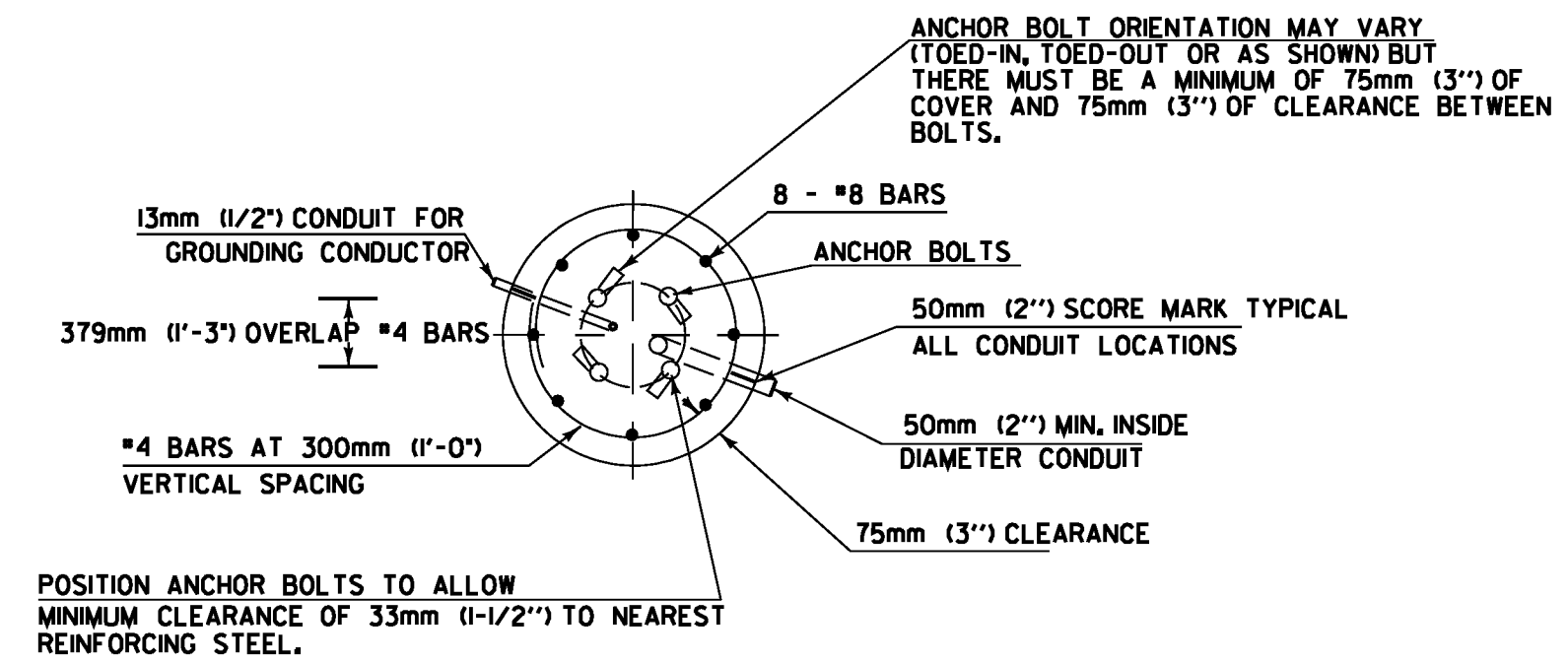
SIGN ON SINGLE MAST ARM

**SIGN BRACKET DETAILS**

ANCHOR BOLT DETAIL	SIZE	L 00	T 000
	31mm X 1.2M	1	200
	38mm X 1.5M	1.3	225
	44mm X 2.3M	2.1	225
	50mm X 2.4M	2.4	225

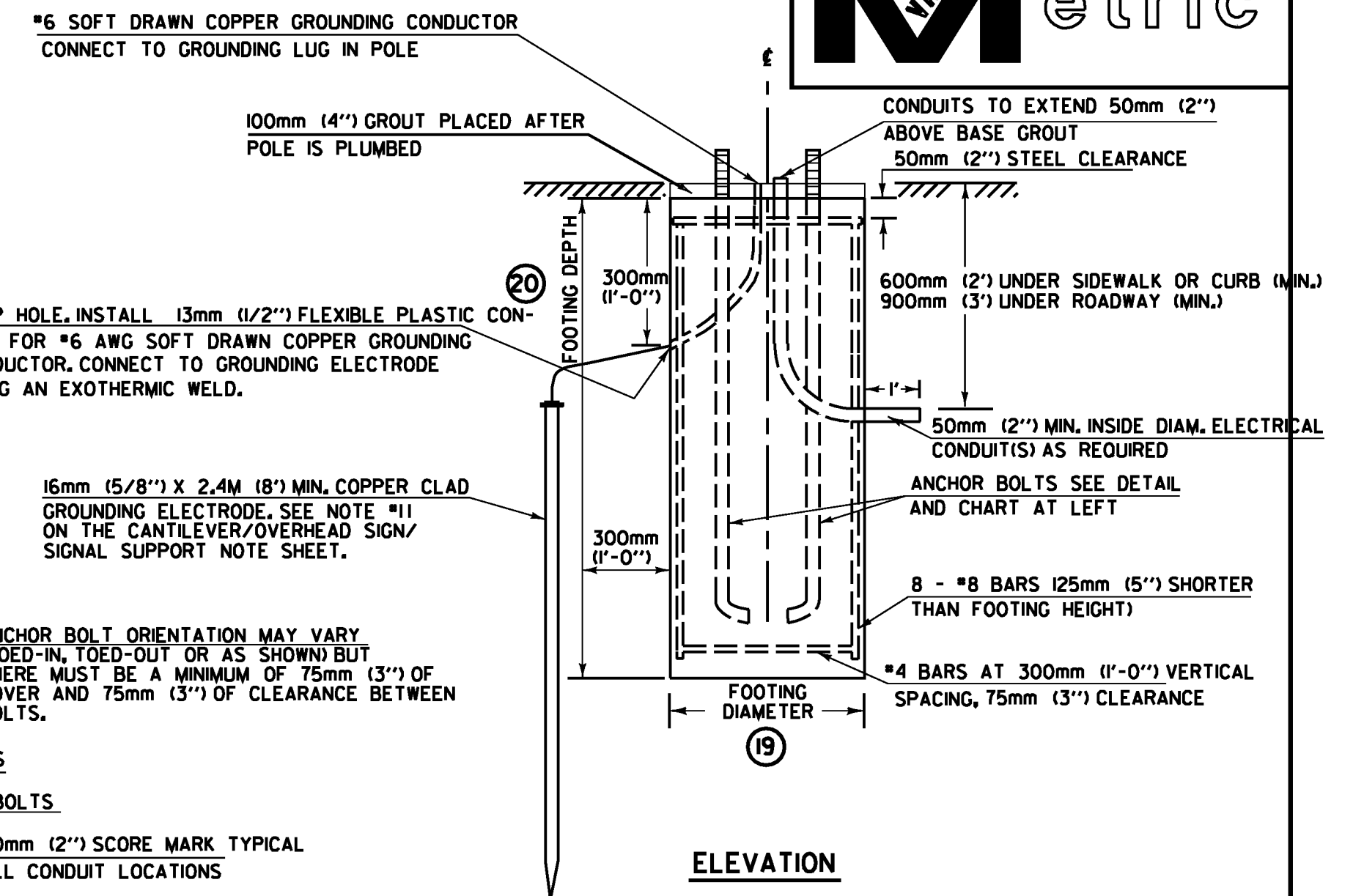


**ANCHOR BOLT DETAIL**

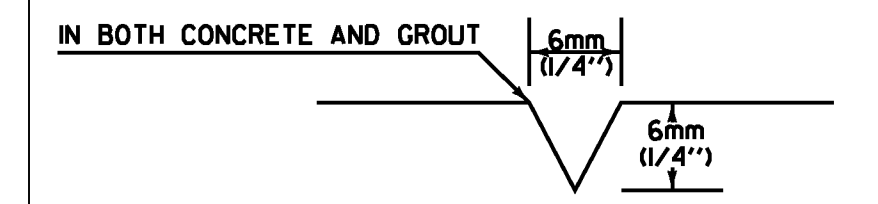


**CANTILEVER FOOTING DETAIL**

(SPREAD FOOTINGS OR PILE ALTERNATIVES ARE OPTIONAL SUBJECT TO APPROVAL OF THE RESIDENT ENGINEER)

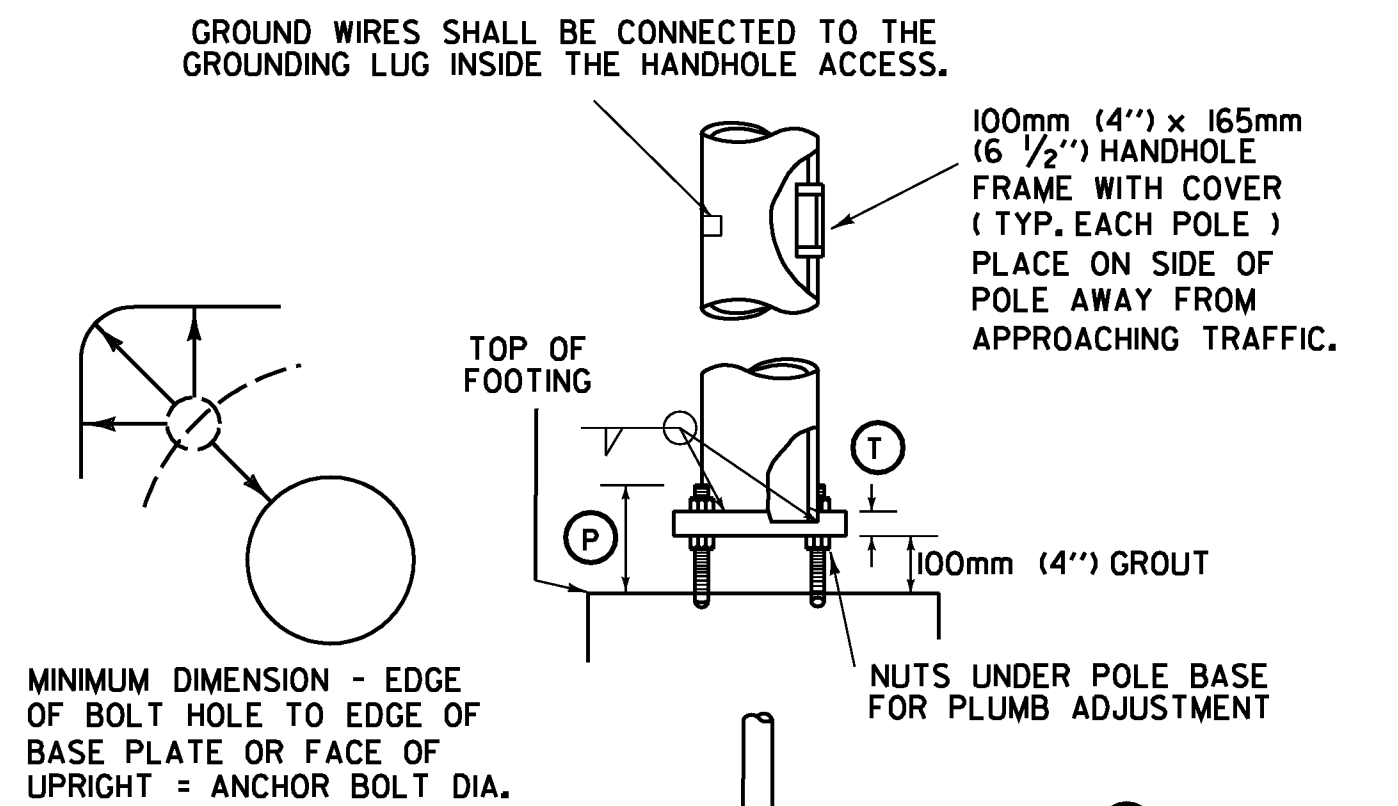


**ELEVATION**



USED FOR CONDUIT LOCATION, SEE SECTION DETAIL AT LEFT

**50mm (2) SCORE MARK DETAIL**



**POLE BASE AND BASE PLATE DETAIL**

SEE MAST ARM DETAIL MAD-3 FOR CROSS SECTIONS

STRUCTURE DIMENSIONS																												
POLE TYPE	POLE DATA						ARM DATA						LIGHTING DATA				FOOTING DATA		BASE PLATE / BOLT DATA									
	①	②	③	④	⑤	⑥	⑦	⑧	⑨	⑩	⑪	⑫	⑬	⑭	⑮	⑯	⑰	⑱	⑲	⑲	⑳	㉑	㉒	㉓	㉔	㉕	㉖	ANCHOR BOLT SIZE

PROJECT NAME: DANVILLE  
PROJECT NUMBER: F EGC 028-3(32)

FILE NAME: ...\\PlotFiles\MastArmDet.ptf PLOT DATE: 1/18/2011  
DESIGN SUPERVISOR: GARY SANTY DRAWN BY: STANTEC  
DESIGNED BY: STANTEC CHECKED BY: STANTEC  
MAST ARM DETAIL MAD-1 SHEET 171 OF 306

