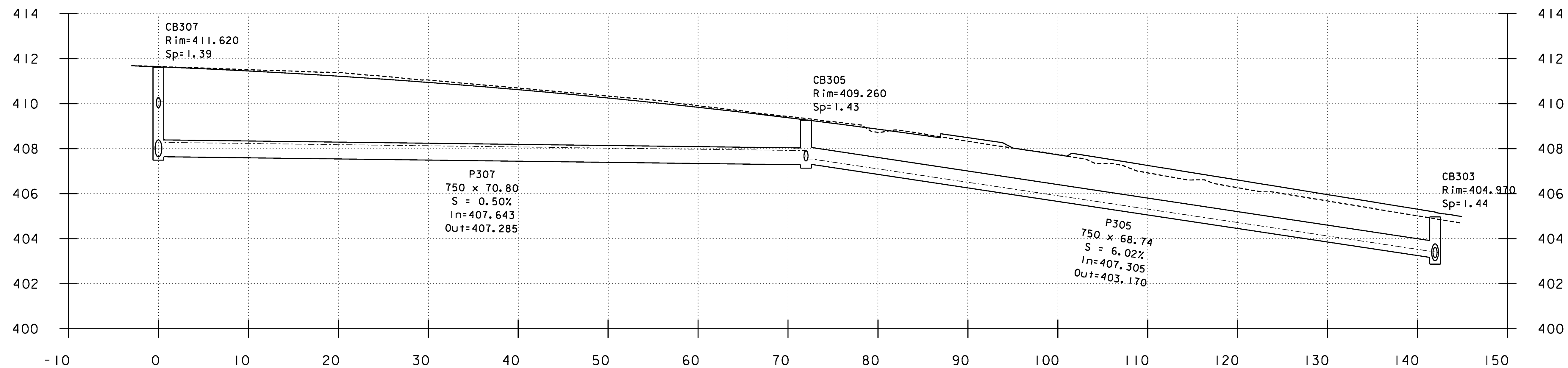
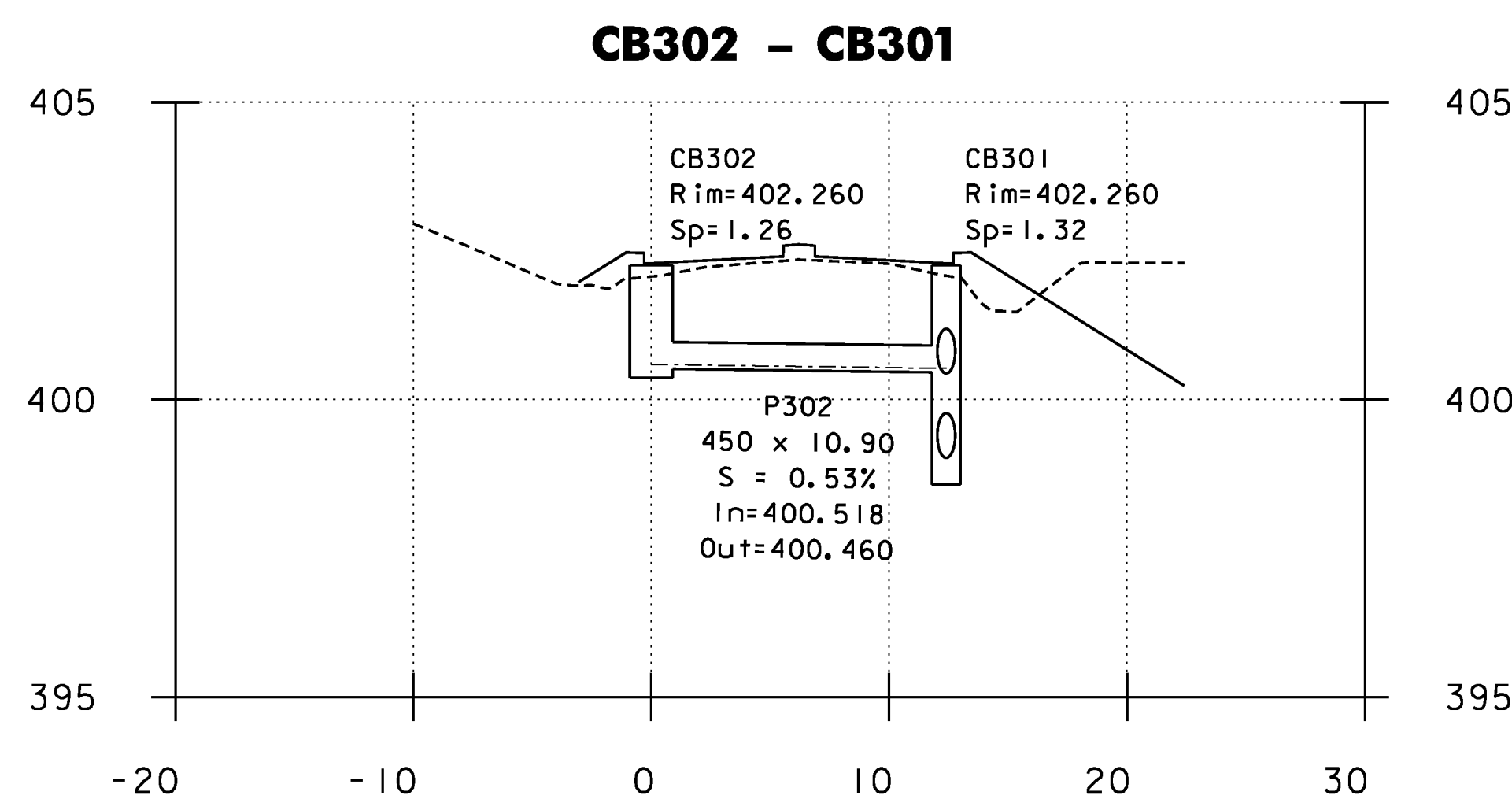
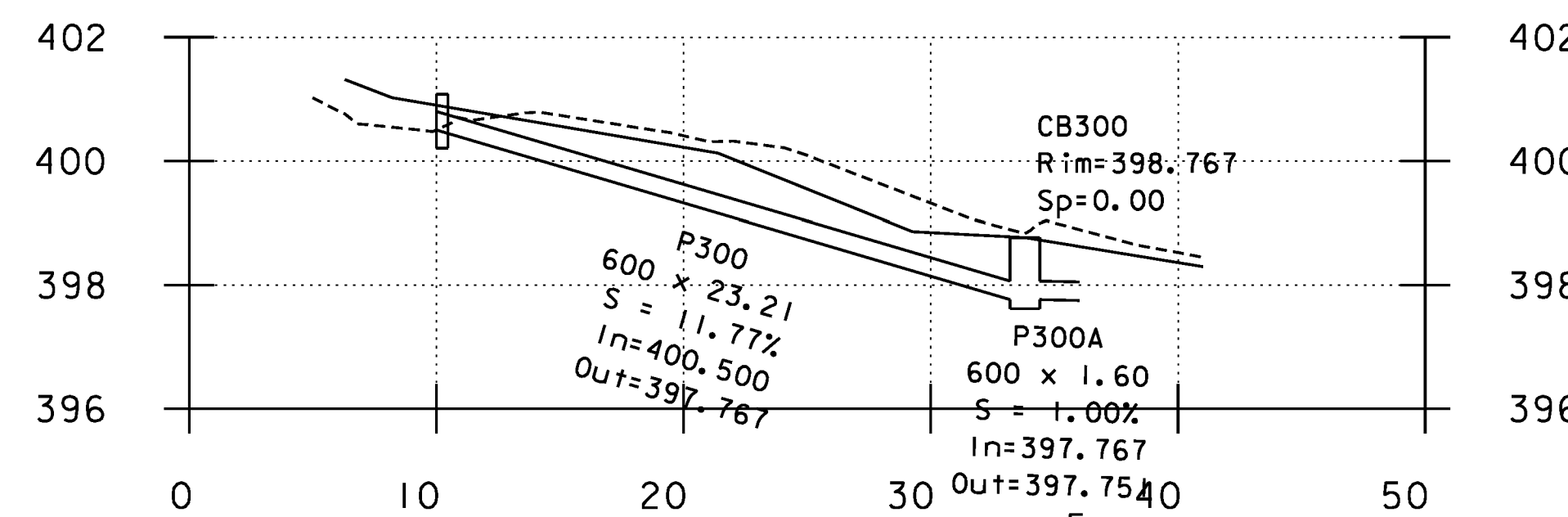


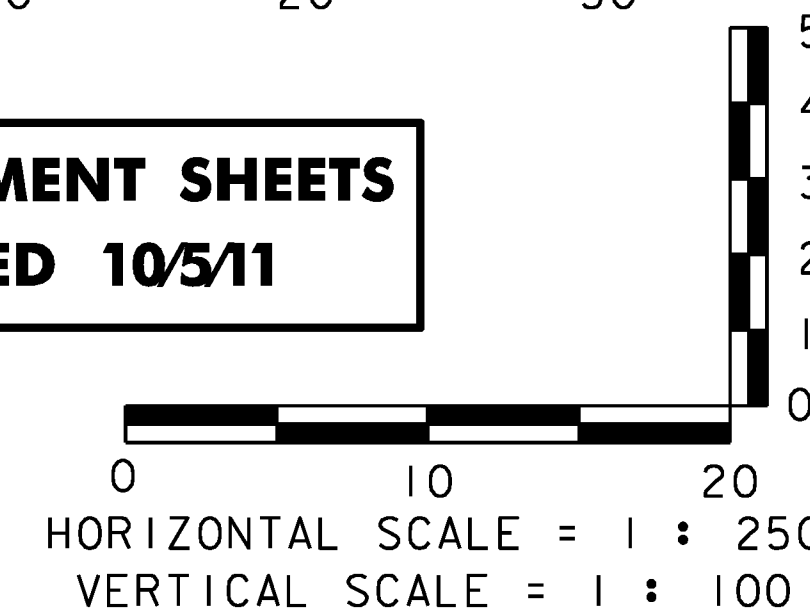
US Route 2



P300-P300A



**REPLACEMENT SHEETS
ISSUED 10/5/11**



NOTES:

1. FOR PLAN VIEW LOCATION OF DRAINAGE PIPE AND STRUCTURES, SEE CONSTRUCTION PLANS.

PROJECT NAME: DANVILLE
PROJECT NUMBER: F EGC 028-3(32)

FILE NAME: ...PlotFiles\drn-pro-1-8.ptf
DESIGN SUPERVISOR: GARY SANTY
DESIGNED BY: STANTEC
DRAINAGE PROFILE SHEET DPRO-7

PLOT DATE: 10/4/2011
DRAWN BY: STANTEC
CHECKED BY: STANTEC
SHEET 98 OF 306

