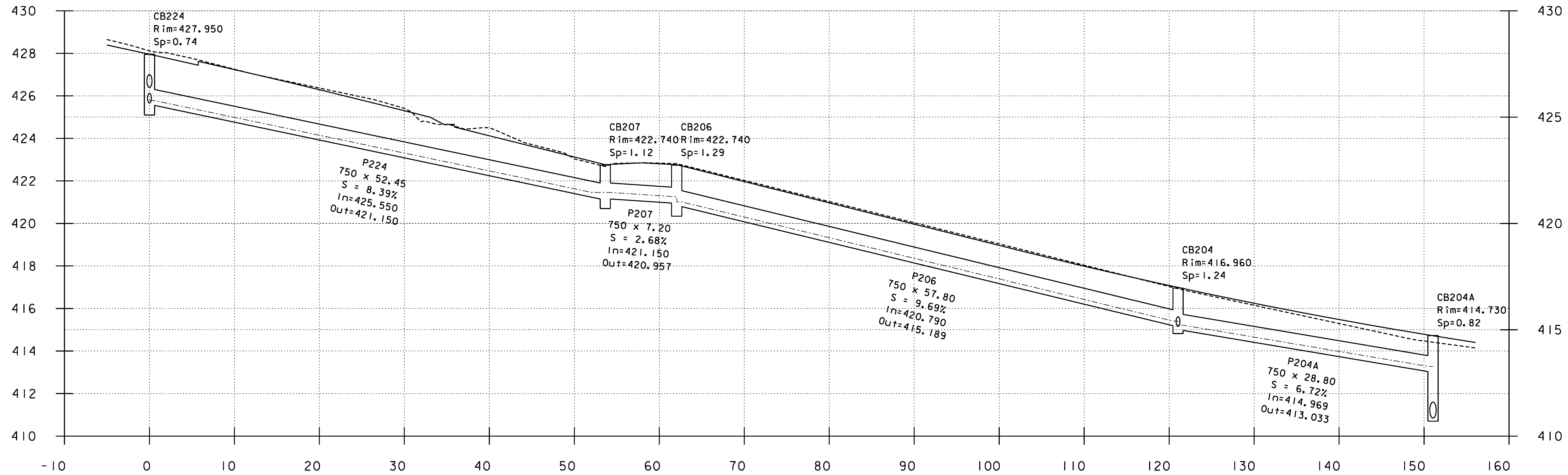
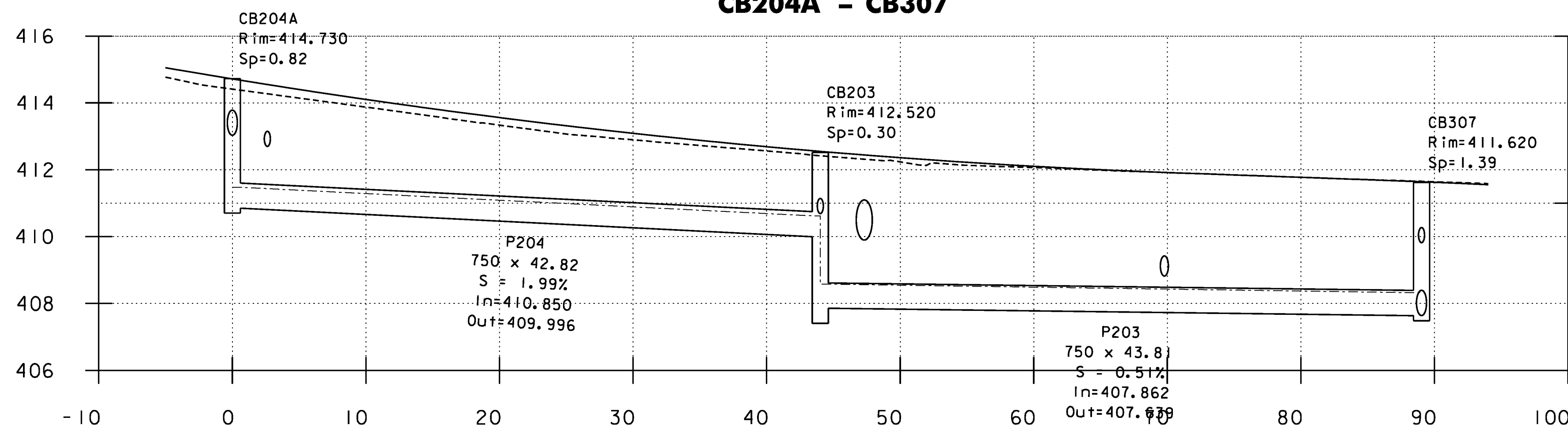


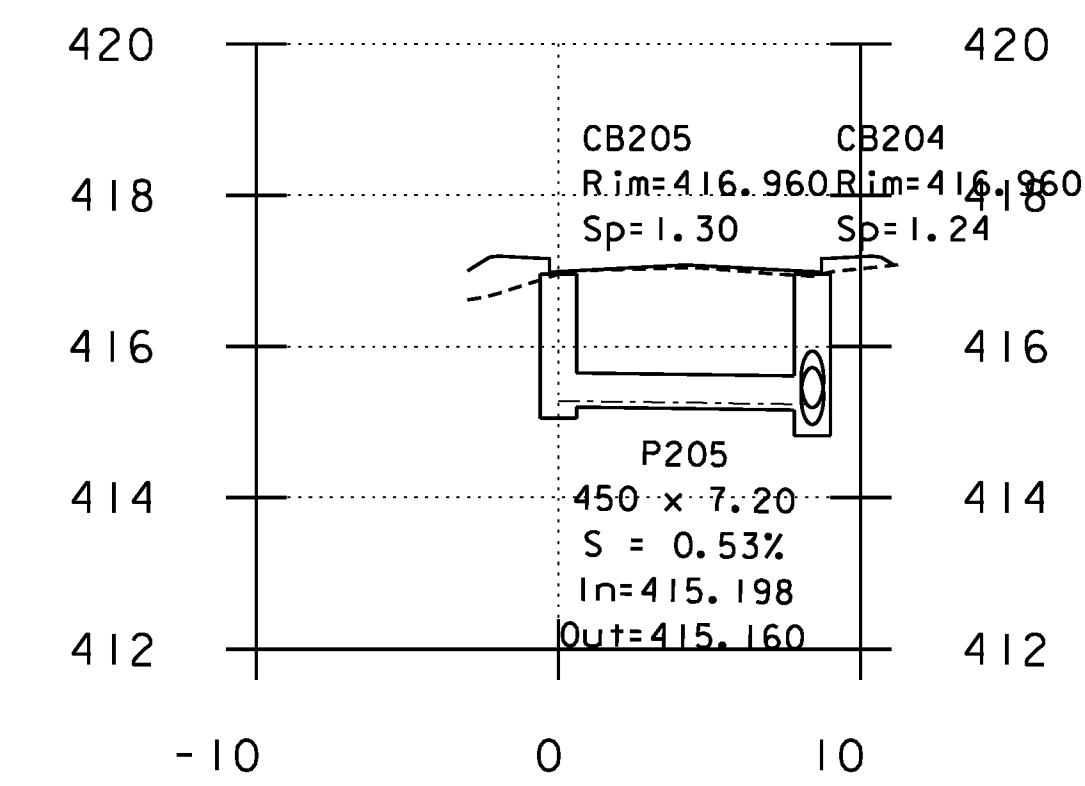
CB224 - CB204A



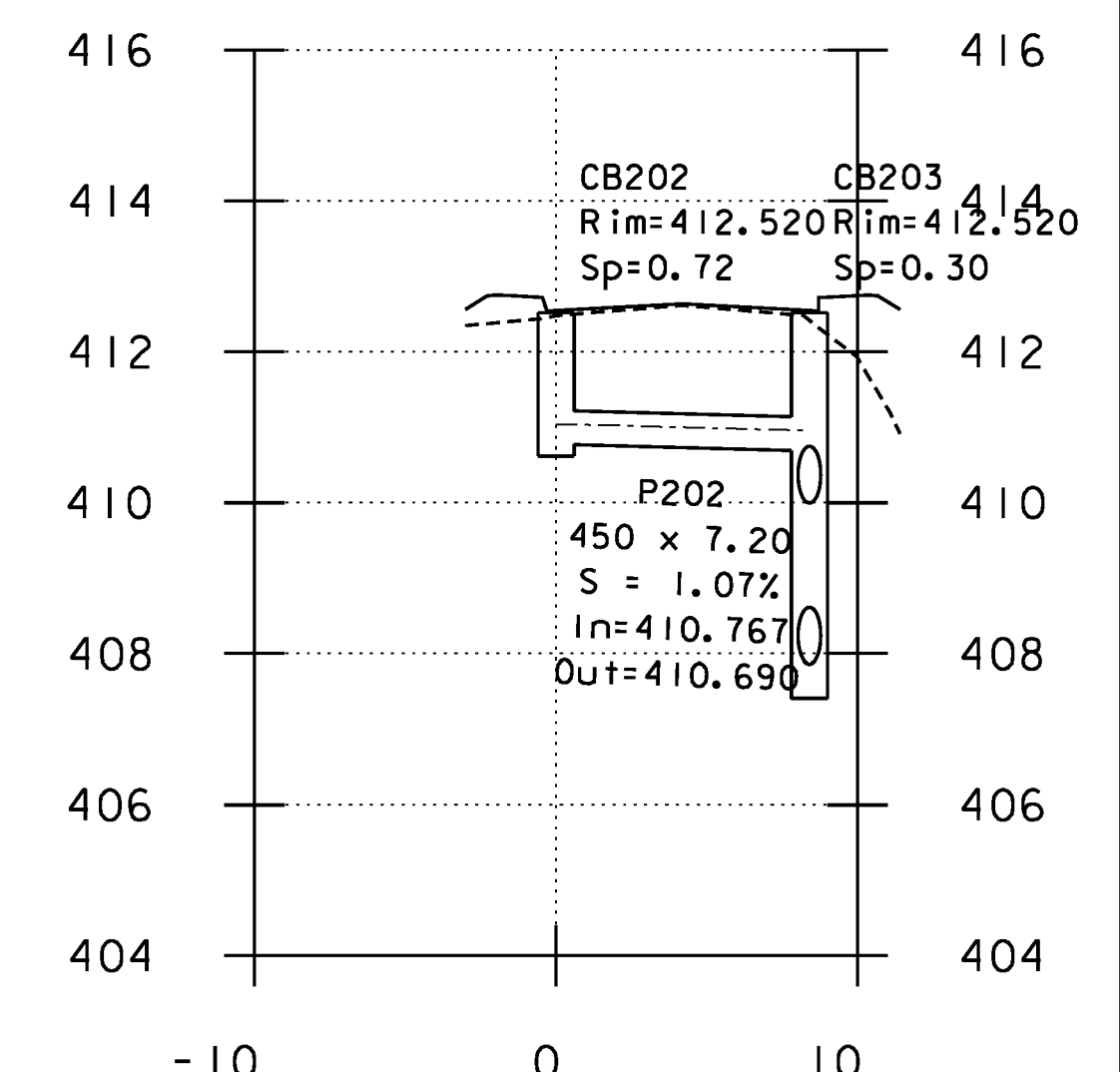
CB204A - CB307



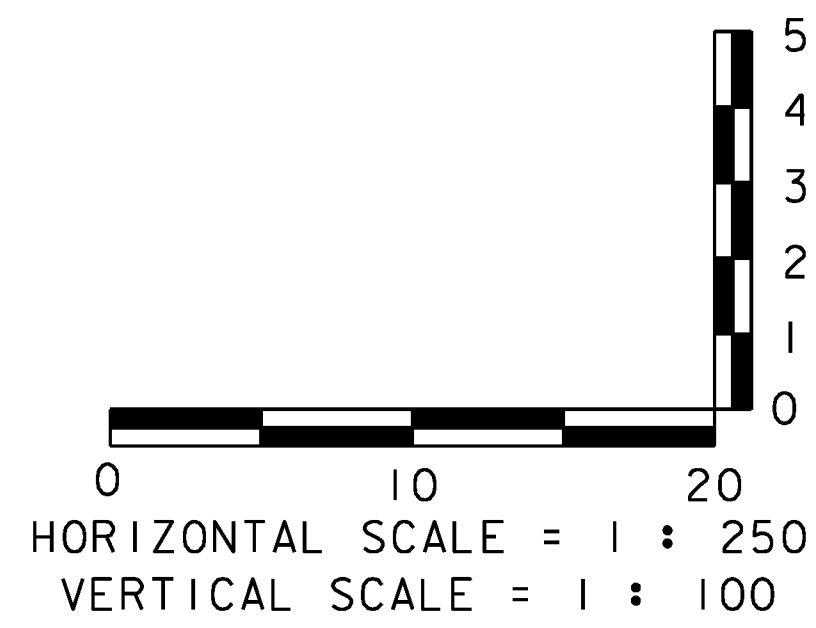
CB205 - CB204



CCB202 - CB203



**REPLACEMENT SHEETS
ISSUED 10/5/11**



NOTES:
1. FOR PLAN VIEW LOCATION OF DRAINAGE PIPE AND STRUCTURES, SEE CONSTRUCTION PLANS.

PROJECT NAME: DANVILLE	PLOT DATE: 10/4/2011
PROJECT NUMBER: F EGC 028-3(32)	DRAWN BY: STANTEC
FILE NAME: ...PlotFiles\drn-pro-1-8.pxf	CHECKED BY: STANTEC
DESIGN SUPERVISOR: GARY SANTY	SHEET 97 OF 306
DESIGNED BY: STANTEC	
DRAINAGE PROFILE SHEET DPRO-6	



10/4/2011 14:23:31 PM V:\953\oc\Five\9530033_1095\Revised Plans\PlotFiles\drn-pro-1-8.pxf