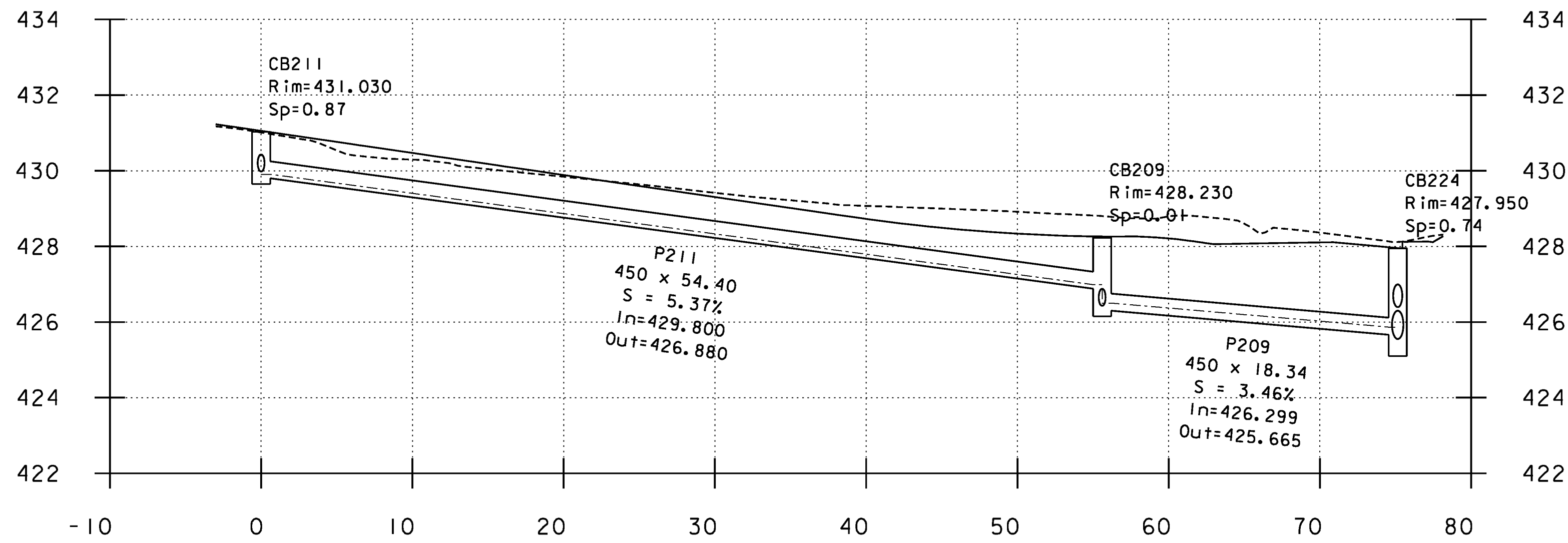
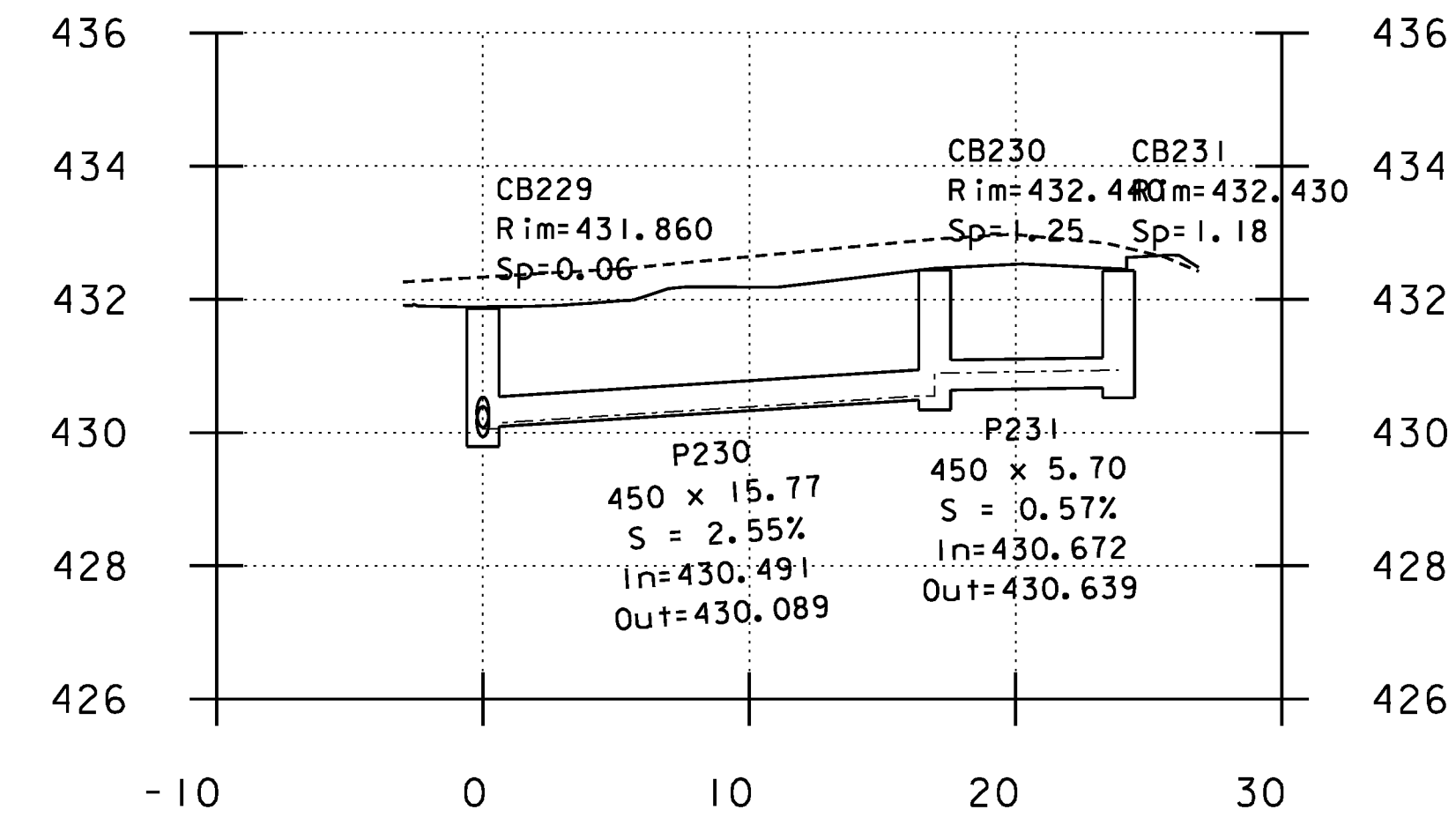


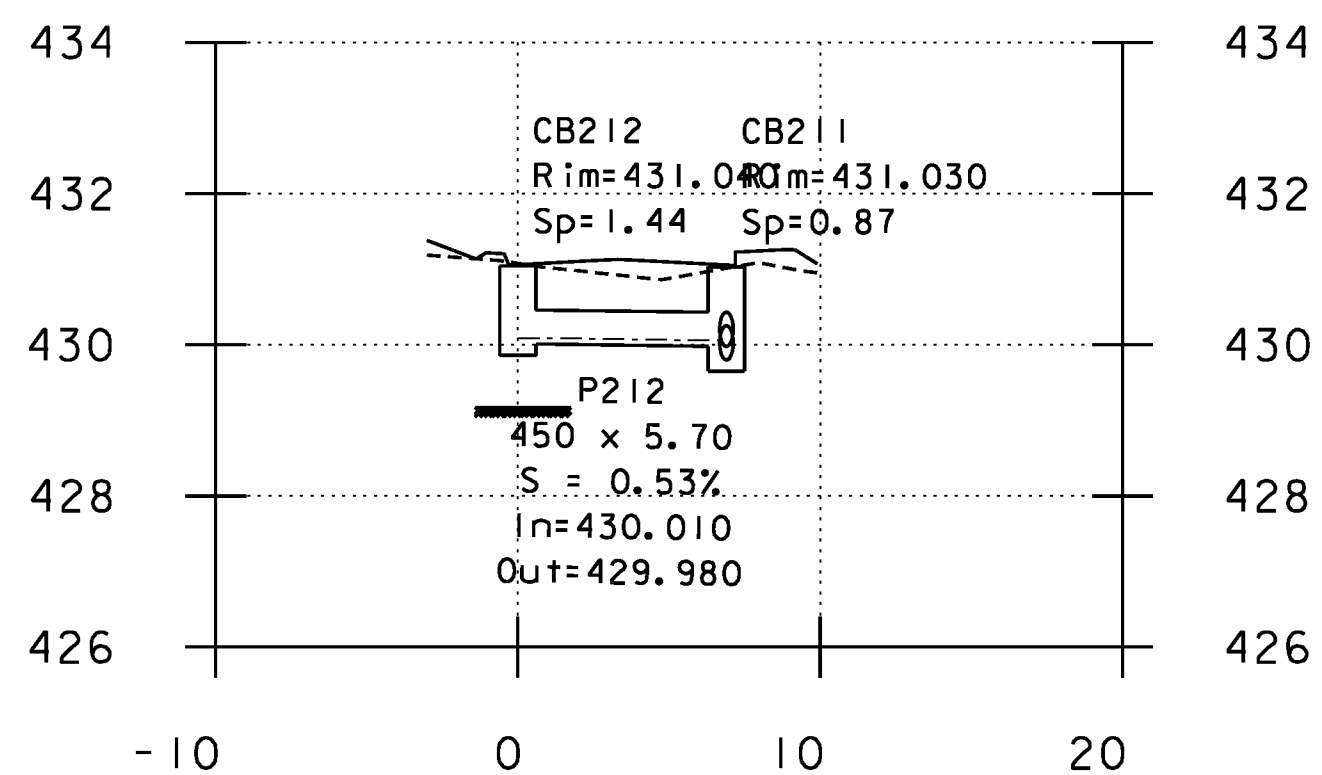
CCB211-CB224



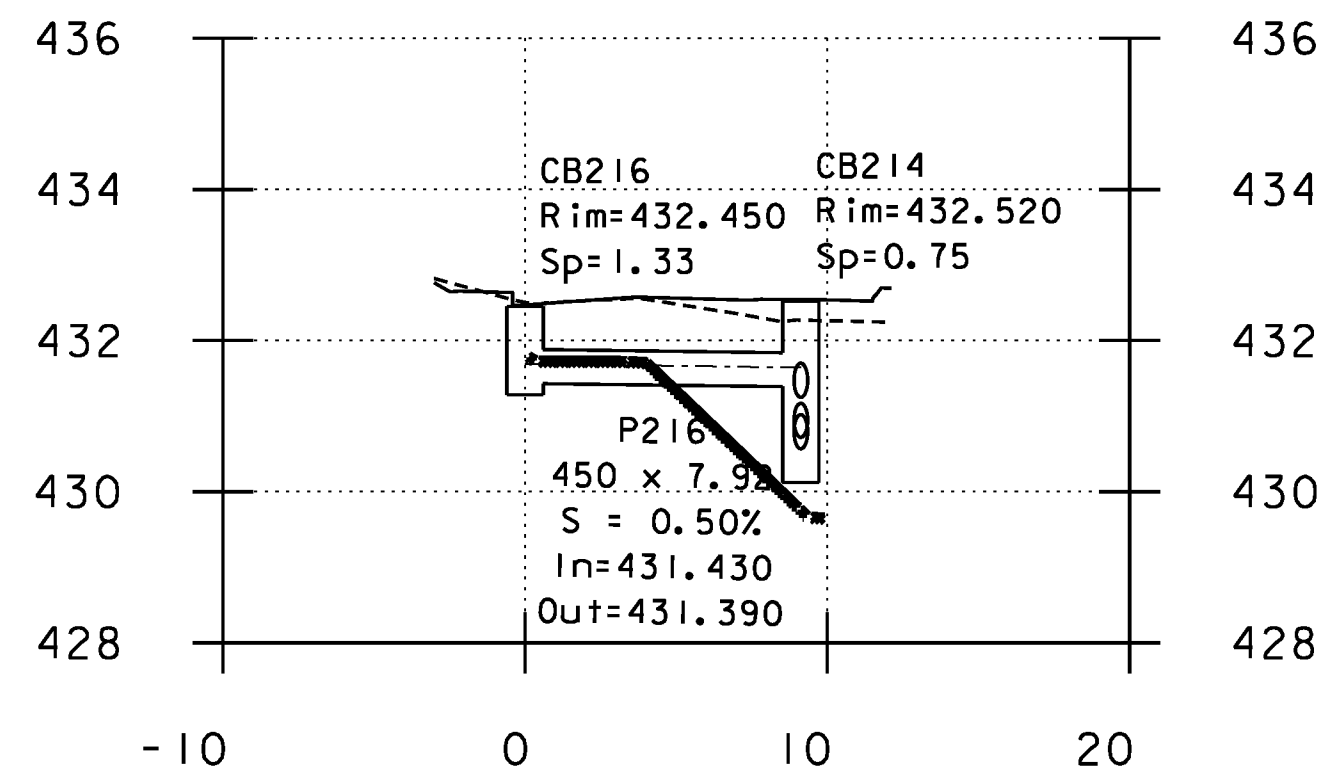
CB229 - CB231



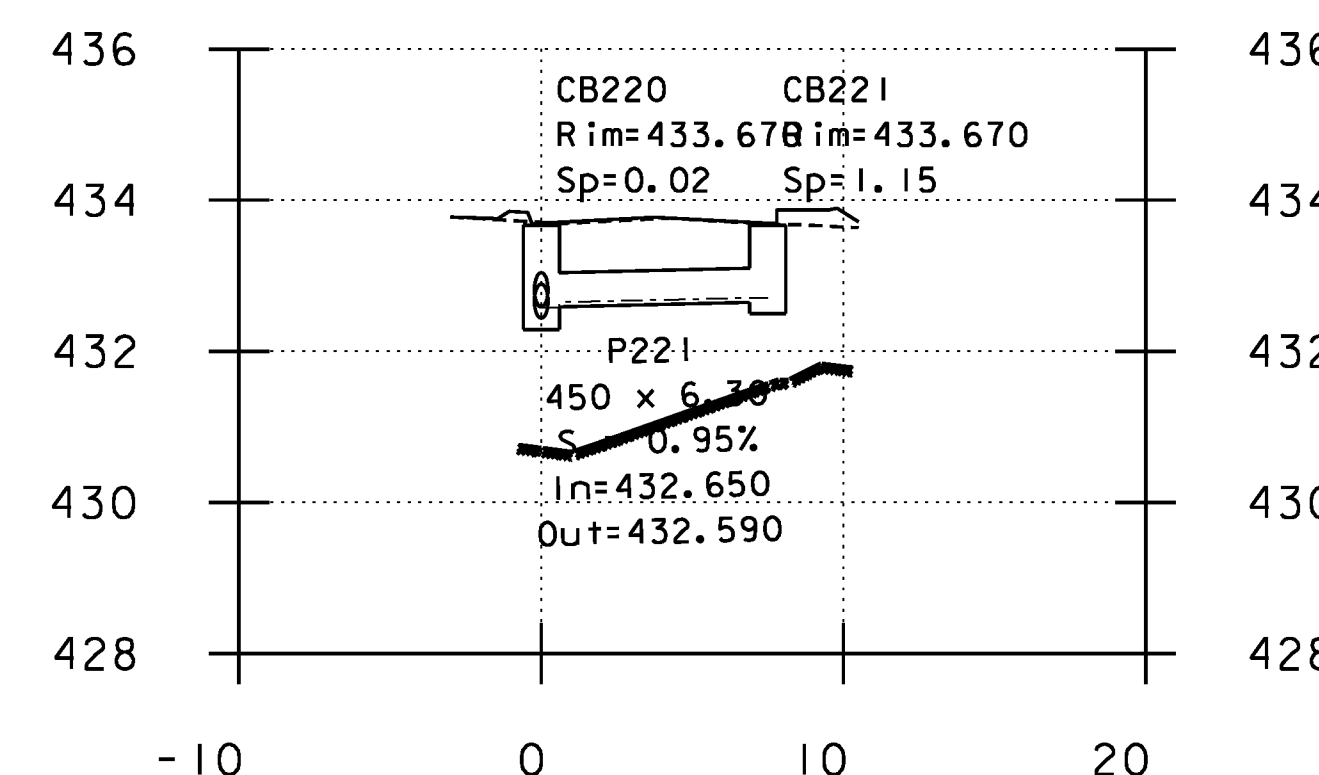
CB212 - CB211



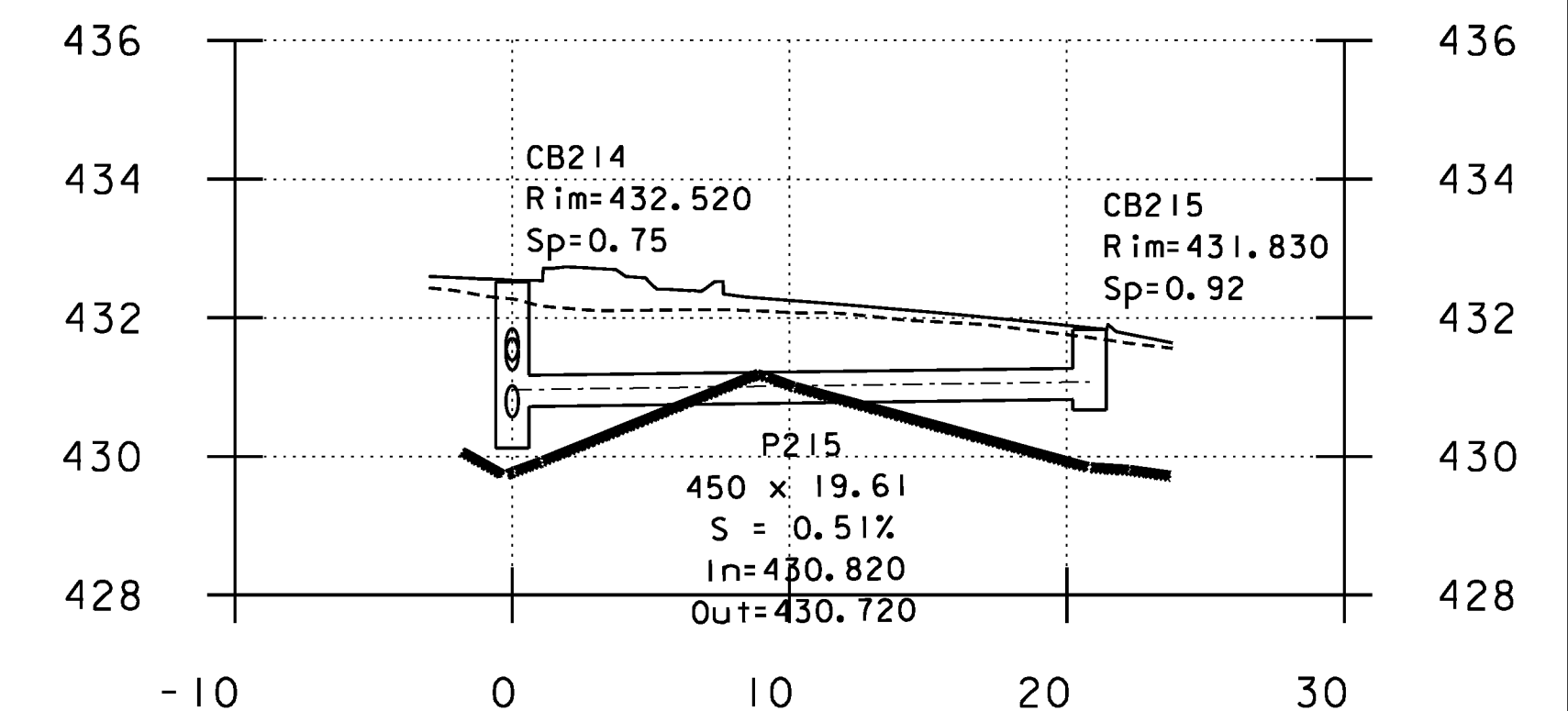
CB216 - CB214



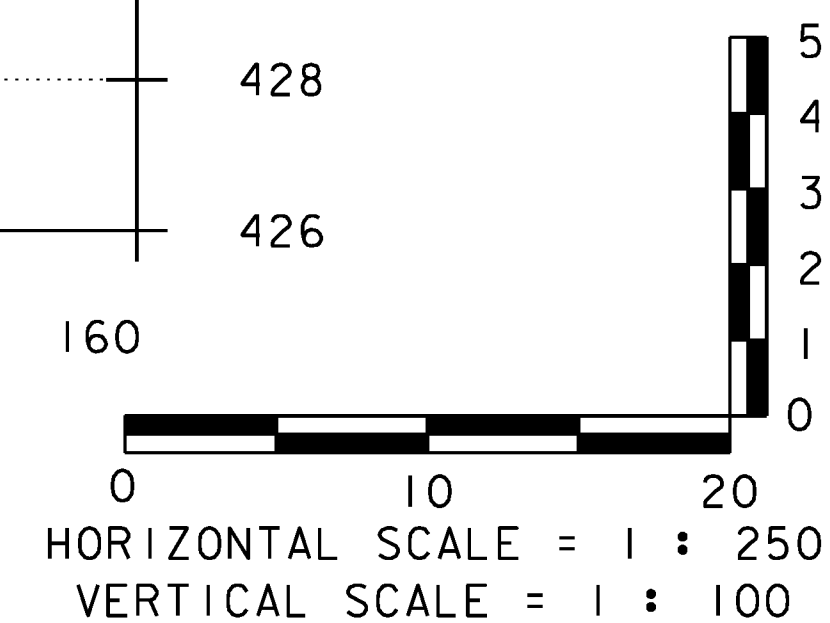
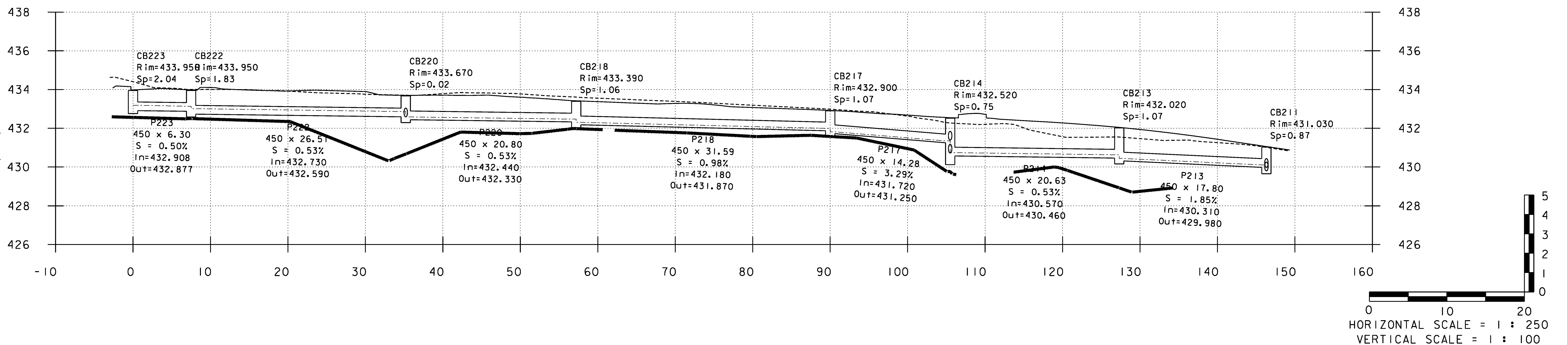
CB220 - CB221



US Route 2



US Route 2



**REPLACEMENT SHEETS
ISSUED 10/5/11**

NOTES:

- FOR PLAN VIEW LOCATION OF DRAINAGE PIPE AND STRUCTURES, SEE CONSTRUCTION PLANS.



PROJECT NAME: DANVILLE
PROJECT NUMBER: F EGC 028-3(32)

FILE NAME: ...PlotFiles\drn-pro-1-8.ptf
DESIGN SUPERVISOR: GARY SANTY
DESIGNED BY: STANTEC
DRAINAGE PROFILE SHEET DPRO-5

PLOT DATE: 10/4/2011
DRAWN BY: STANTEC
CHECKED BY: STANTEC
SHEET 96 OF 306