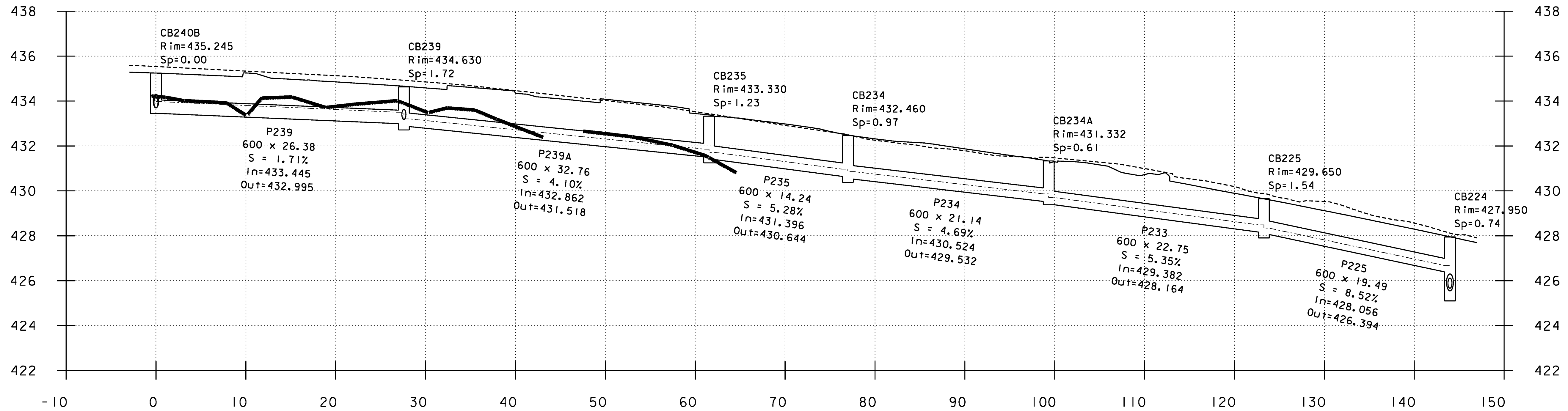
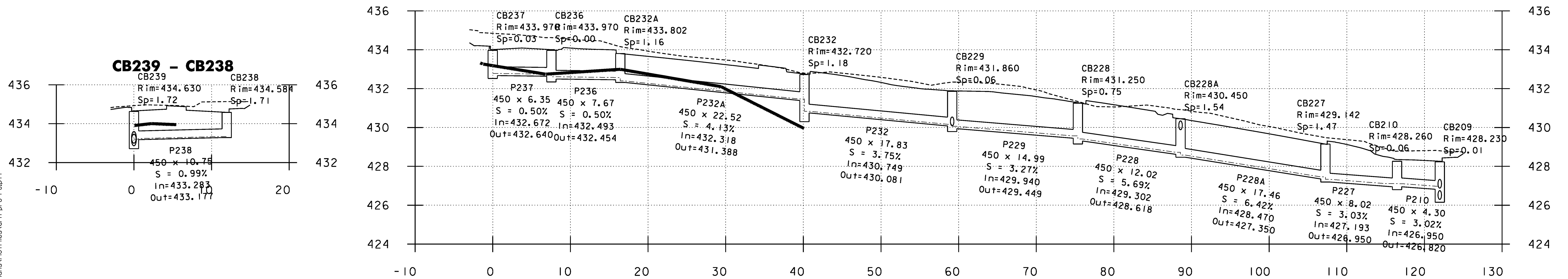


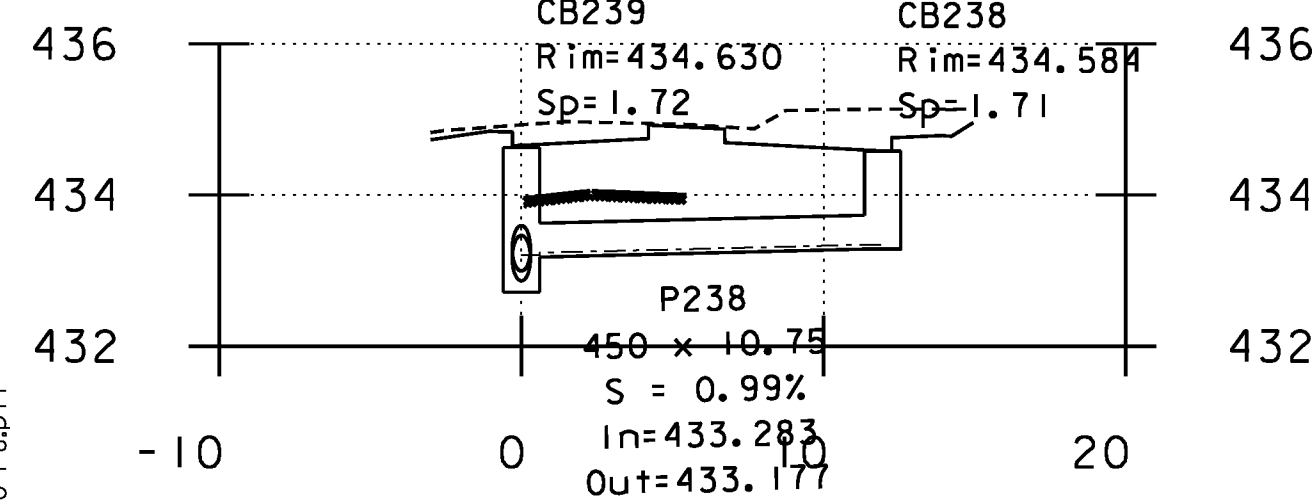
### CB240B - CB224



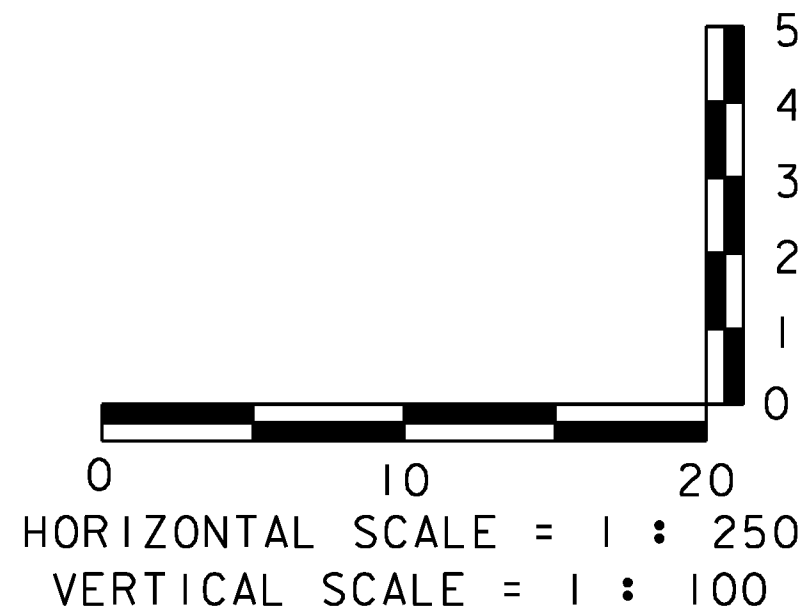
### CB237 - CV209



### CB239 - CB238



**REPLACEMENT SHEETS  
ISSUED 10/5/11**



**NOTES:**

- FOR PLAN VIEW LOCATION OF DRAINAGE PIPE AND STRUCTURES, SEE CONSTRUCTION PLANS.

PROJECT NAME: DANVILLE  
PROJECT NUMBER: F EGC 028-3(32)

FILE NAME: ...\\PlotFiles\drn-pro-1-8.ptf PLOT DATE: 10/4/2011  
DESIGN SUPERVISOR: GARY SANTY DRAWN BY: STANTEC  
DESIGNED BY: STANTEC CHECKED BY: STANTEC  
**DRAINAGE PROFILE SHEET DPRO-4** SHEET 95 OF 306

