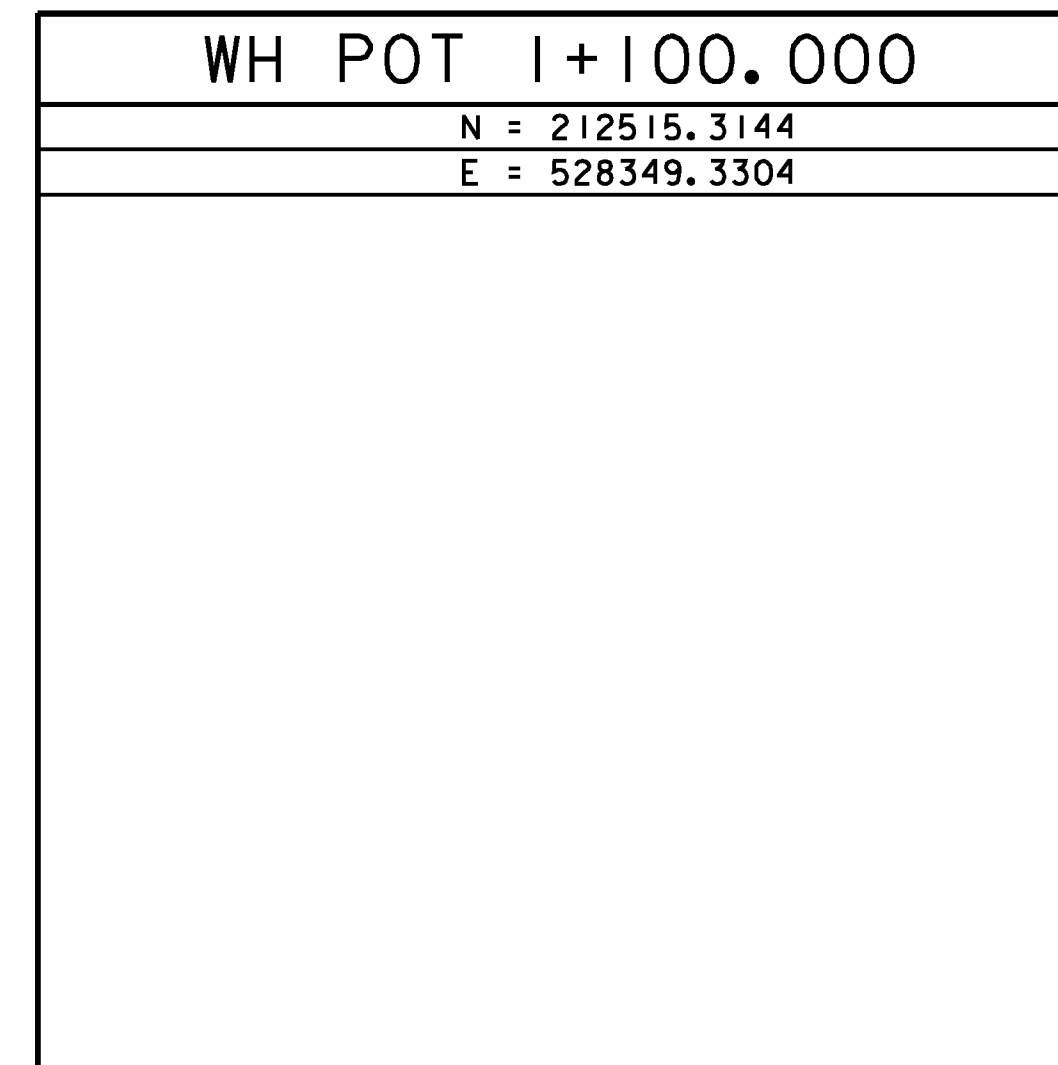
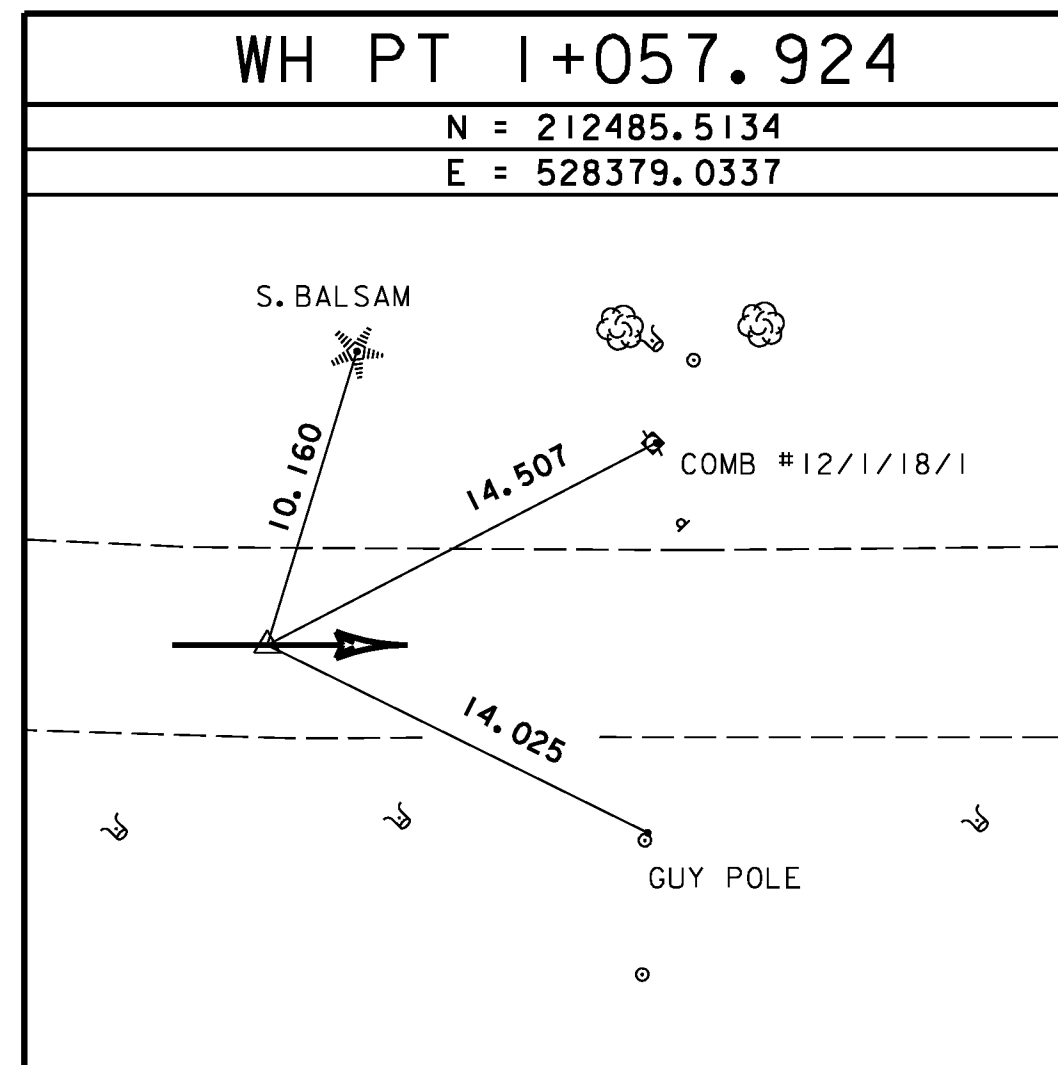
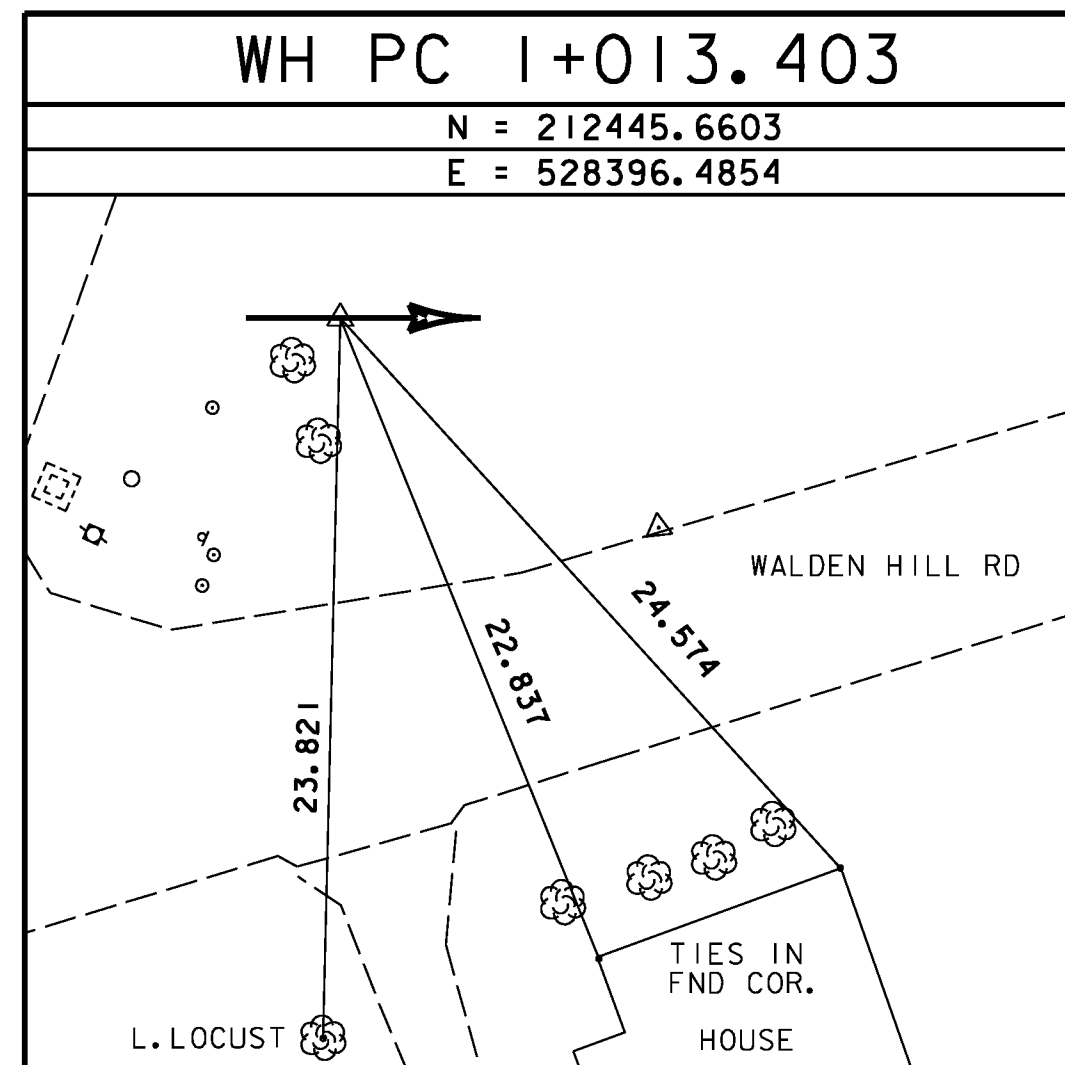
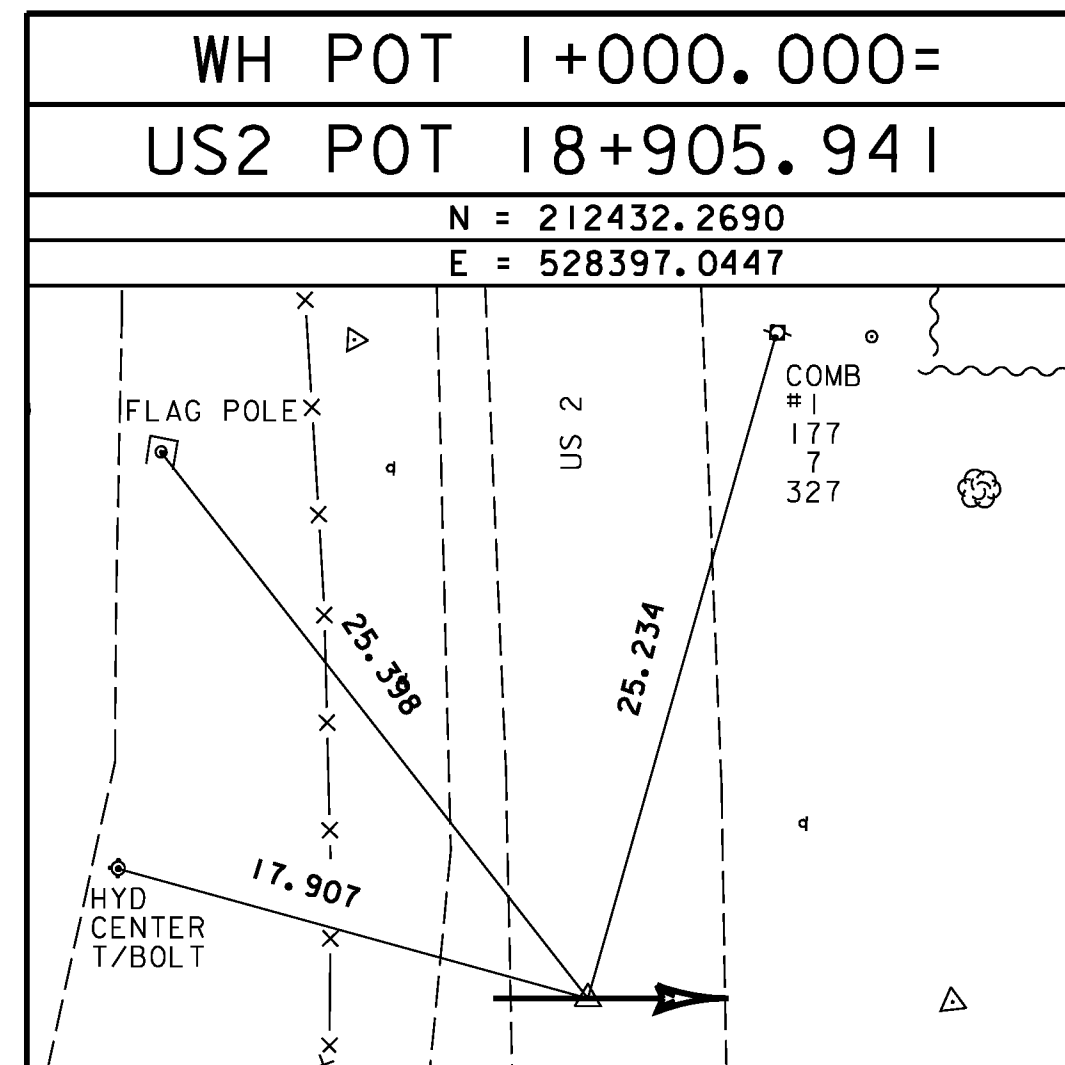
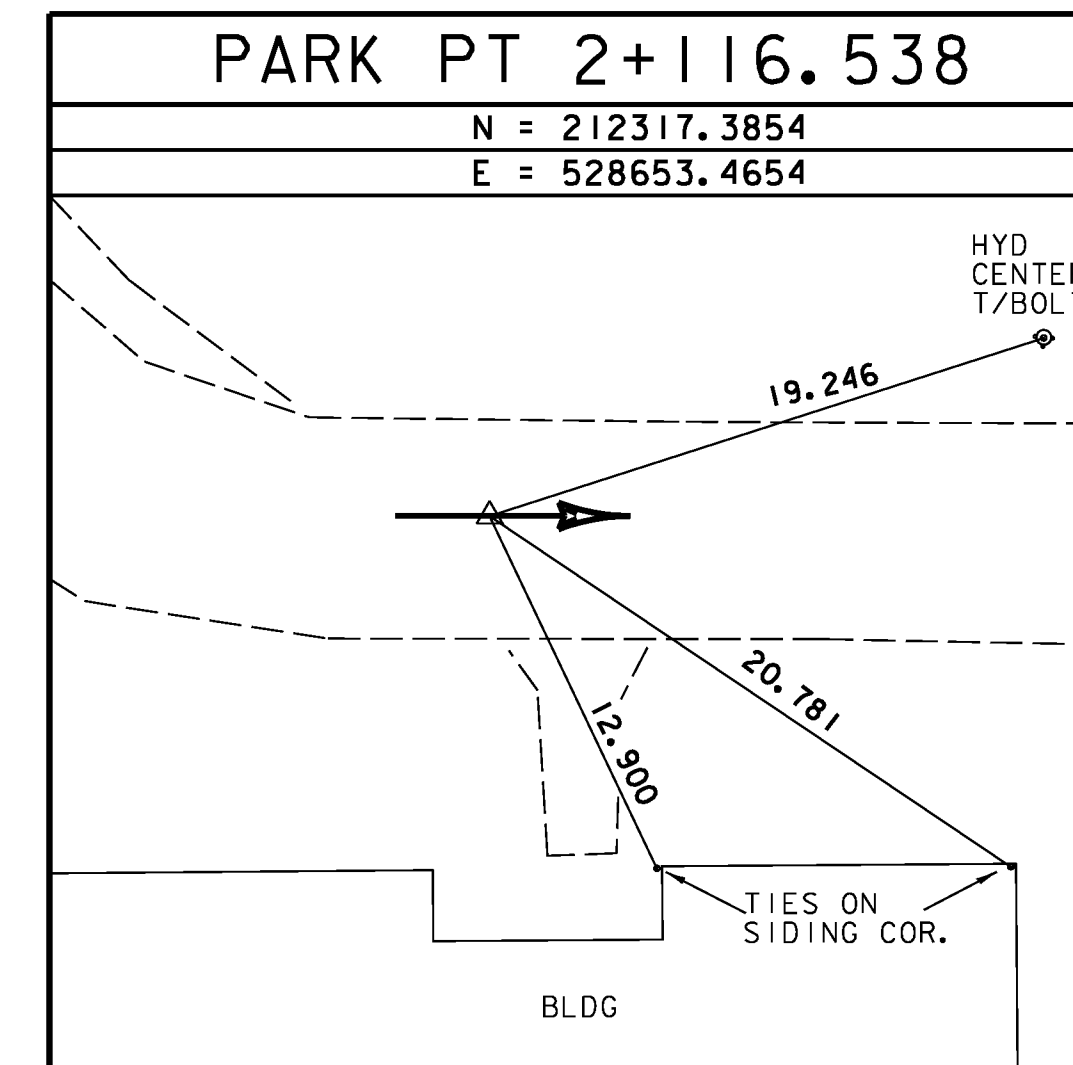
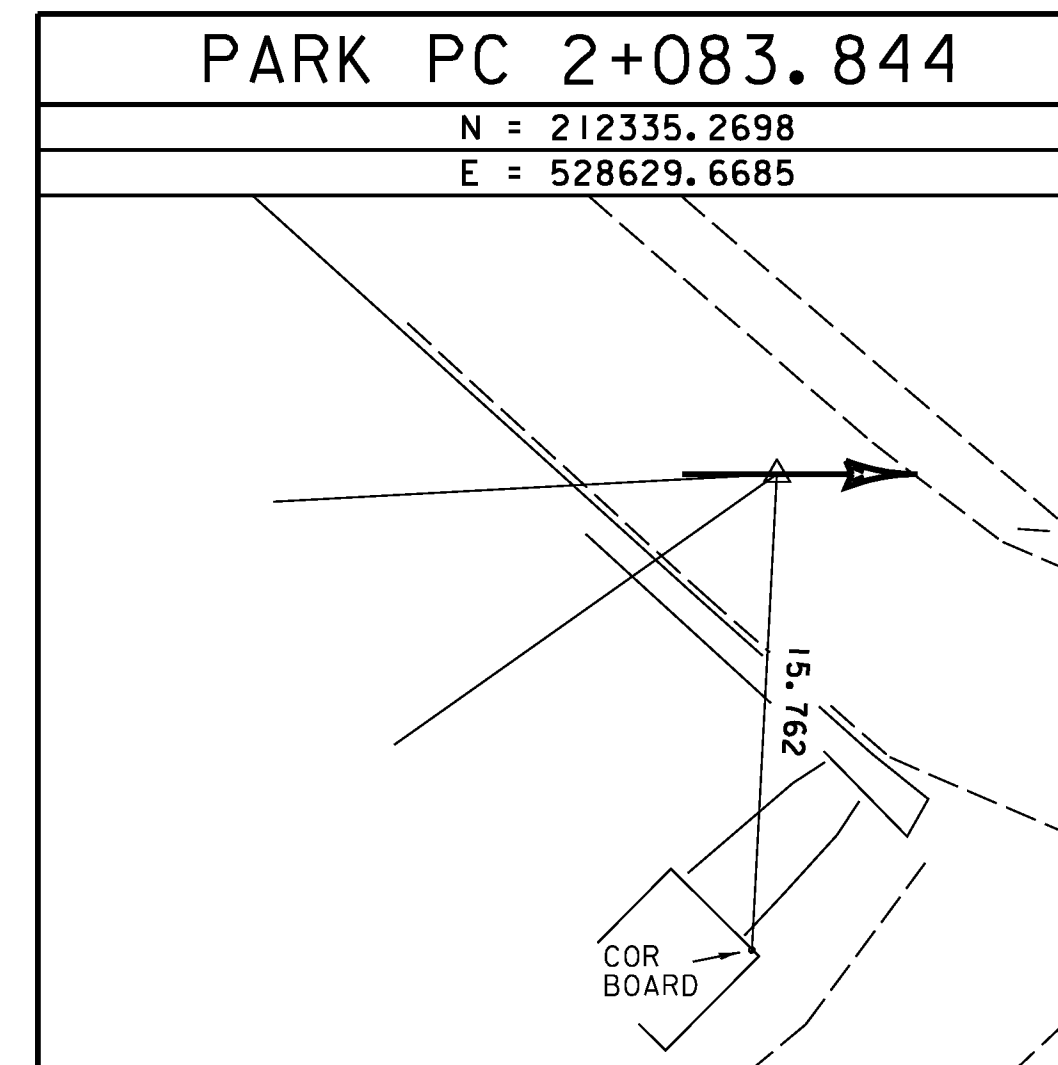
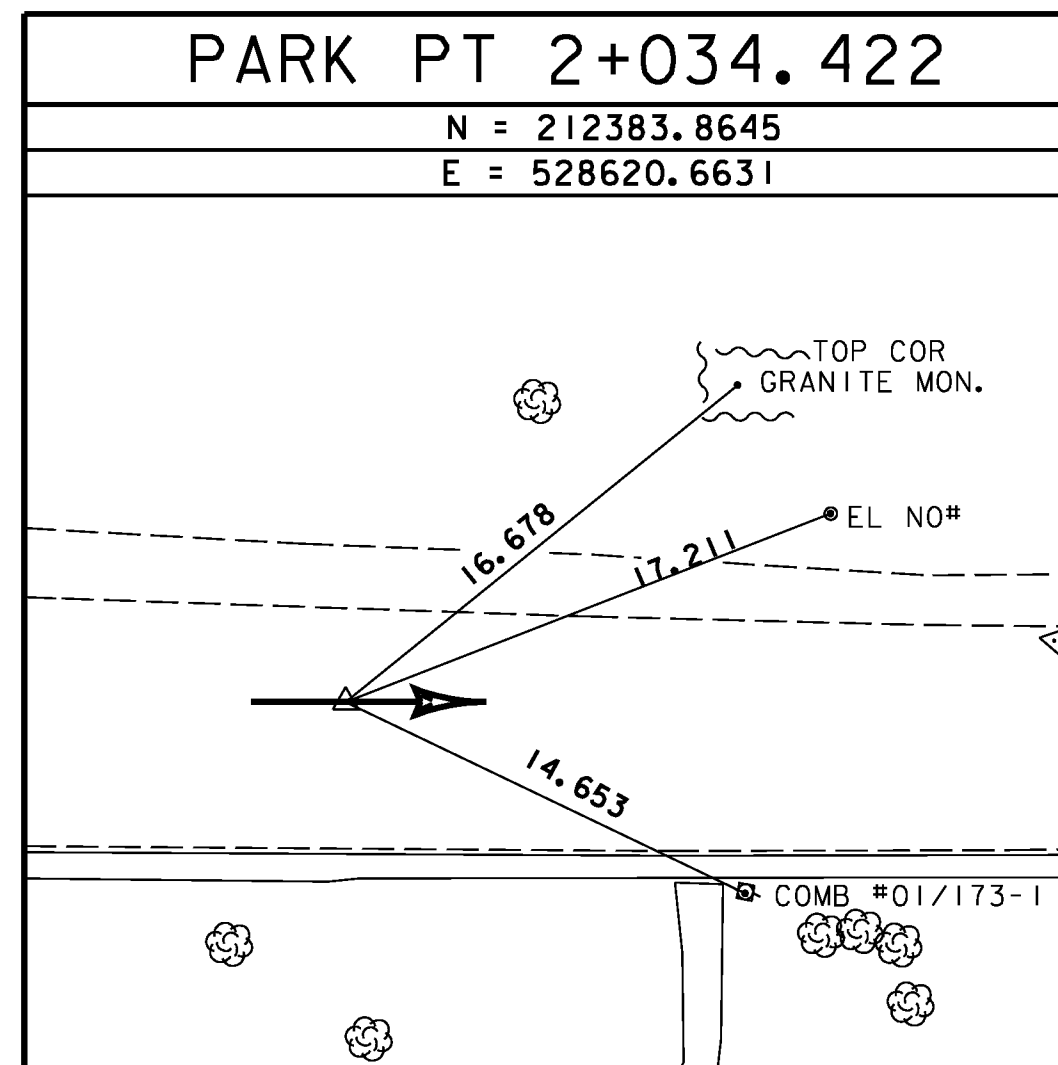
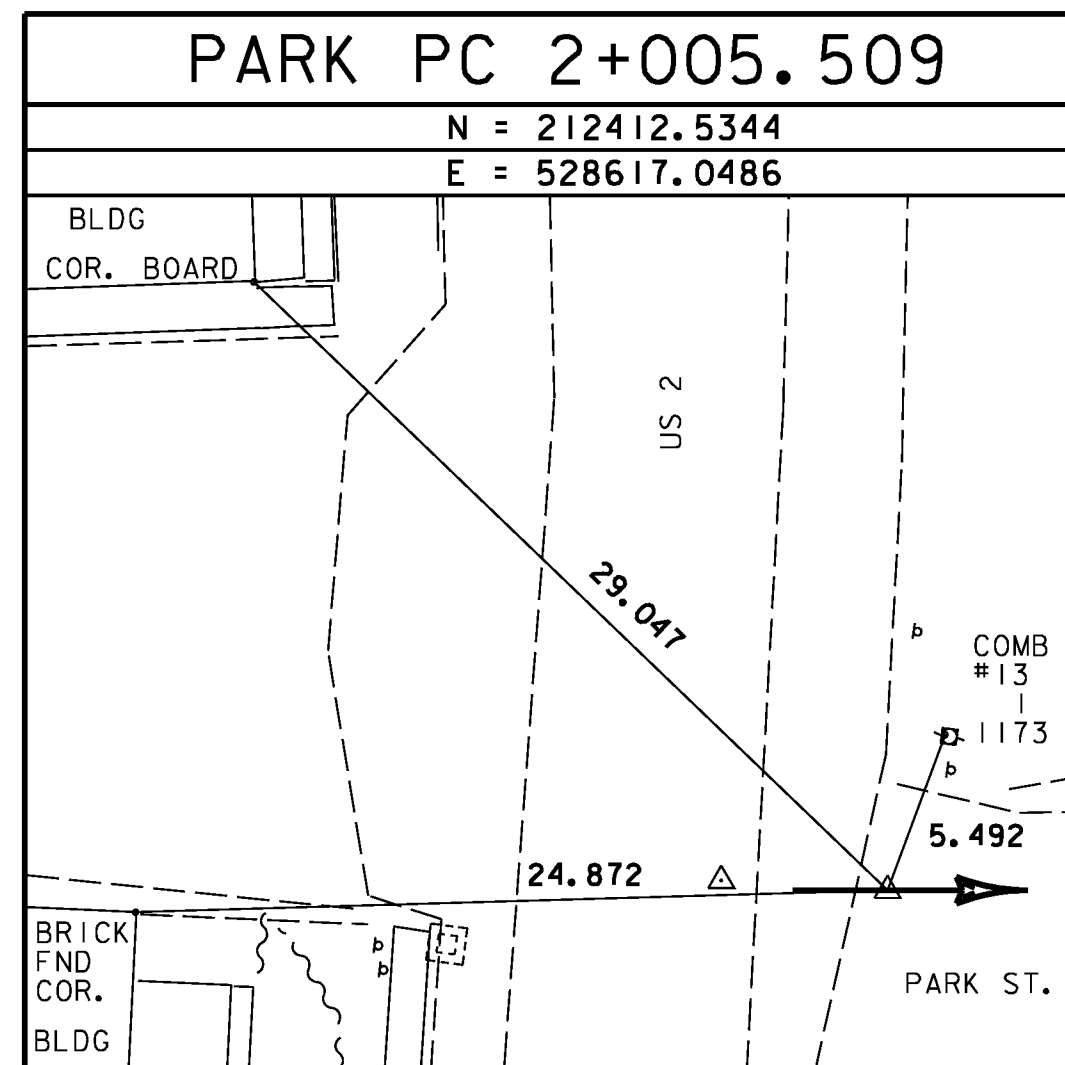
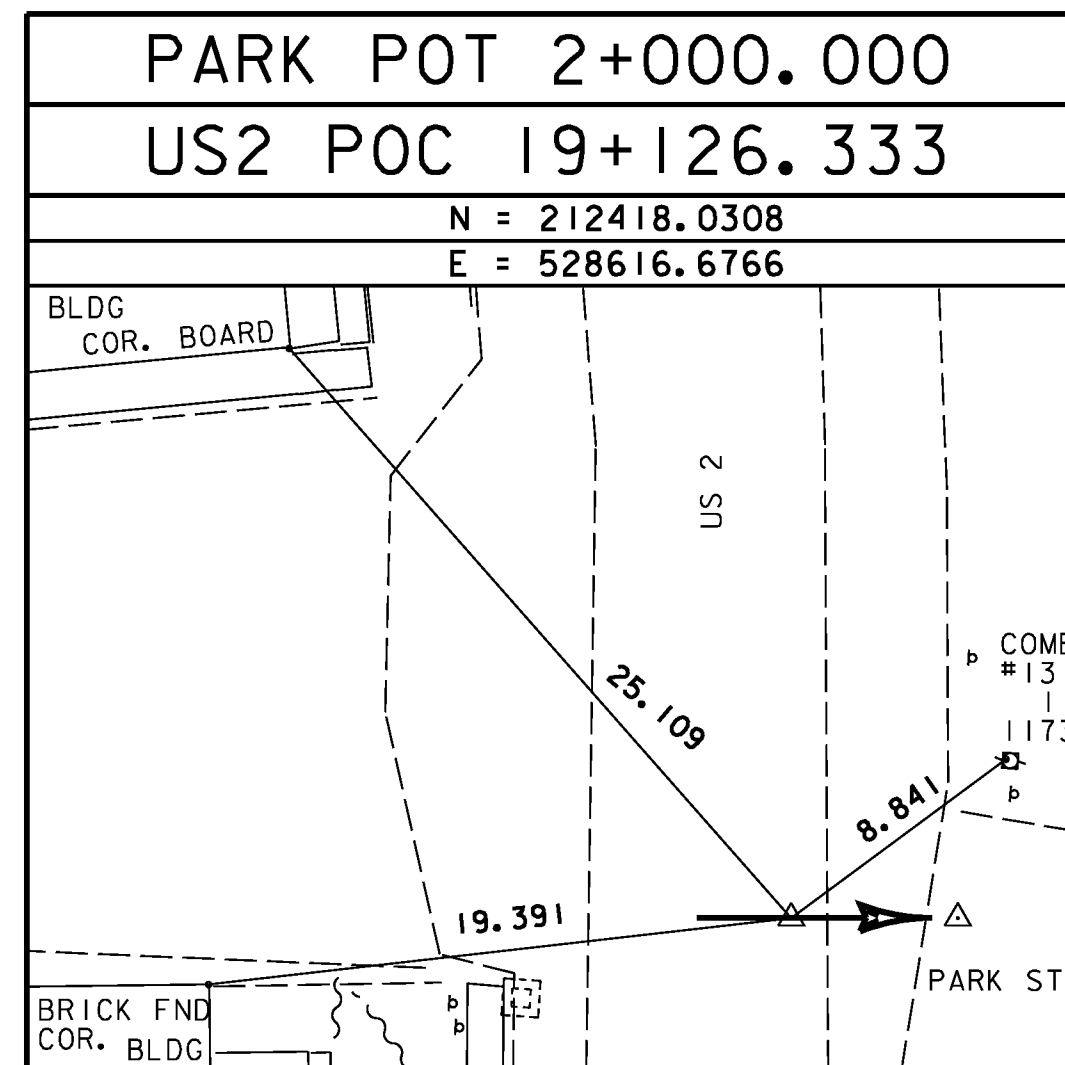


ALIGNMENT TIES



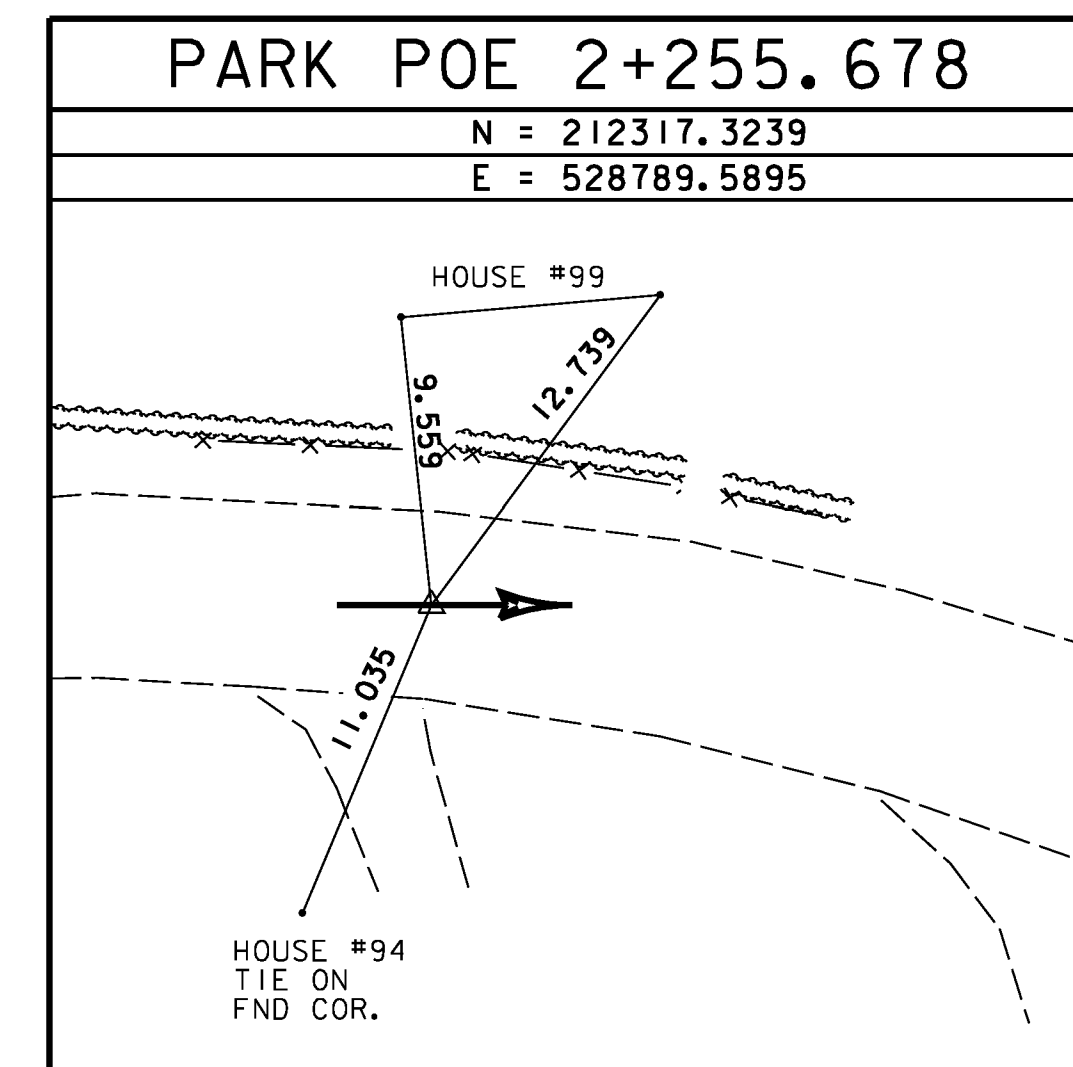
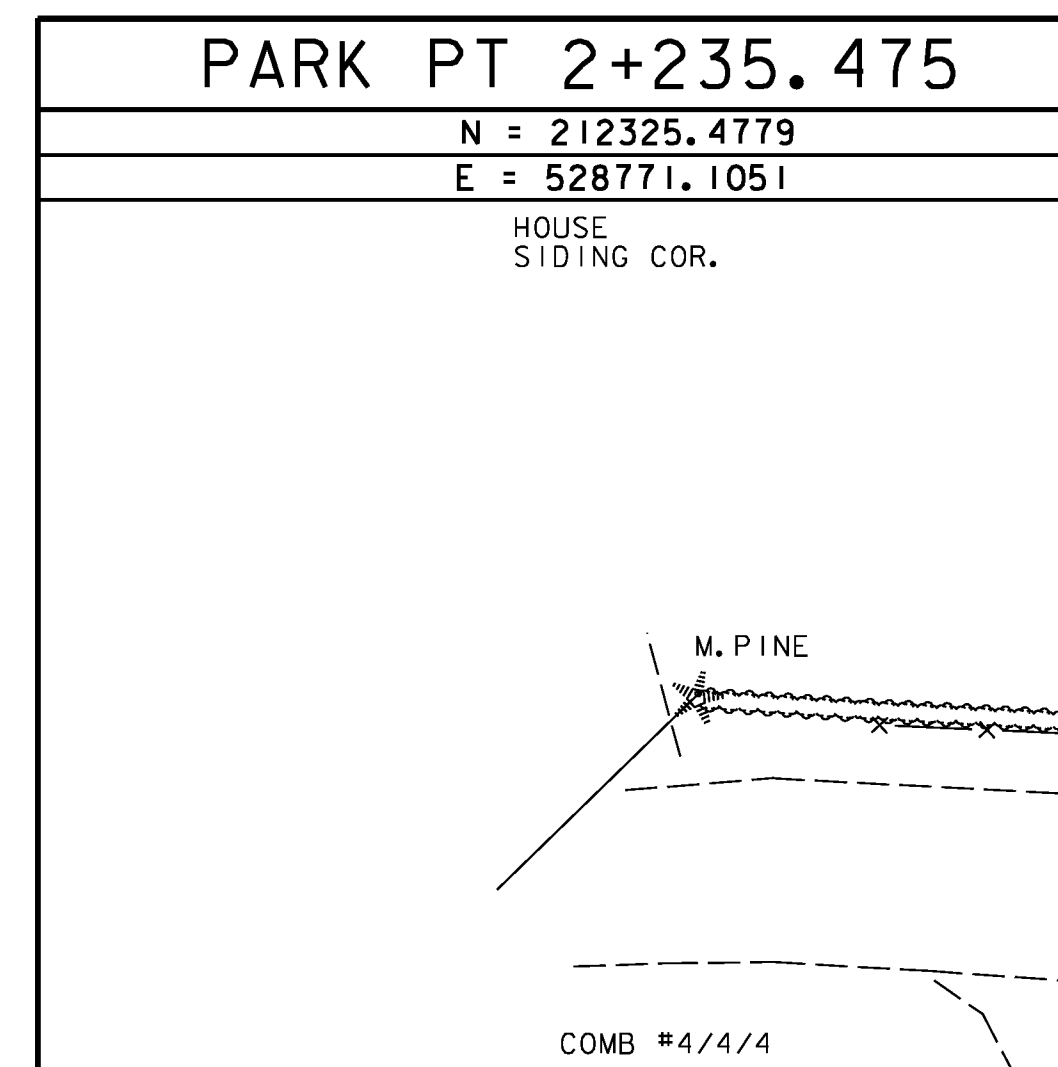
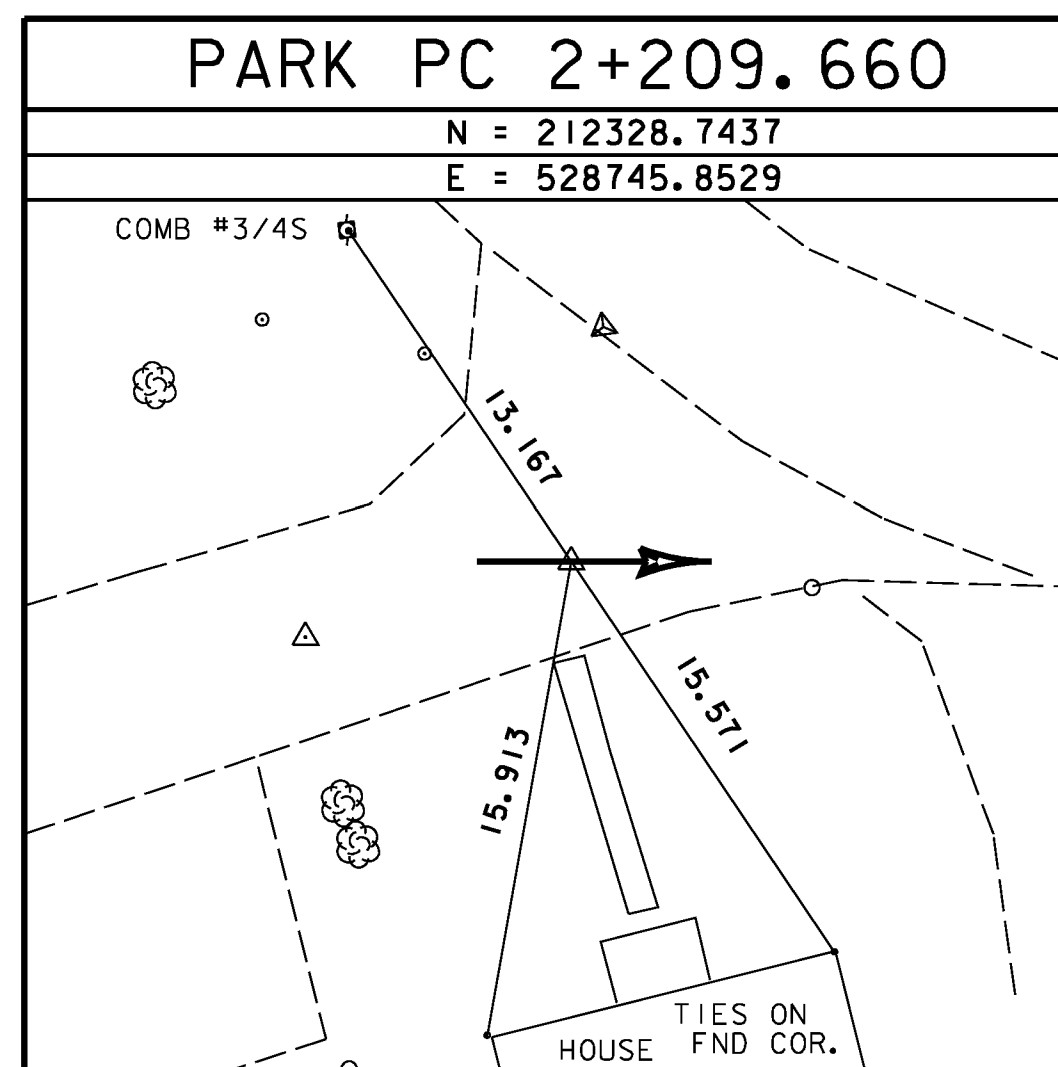
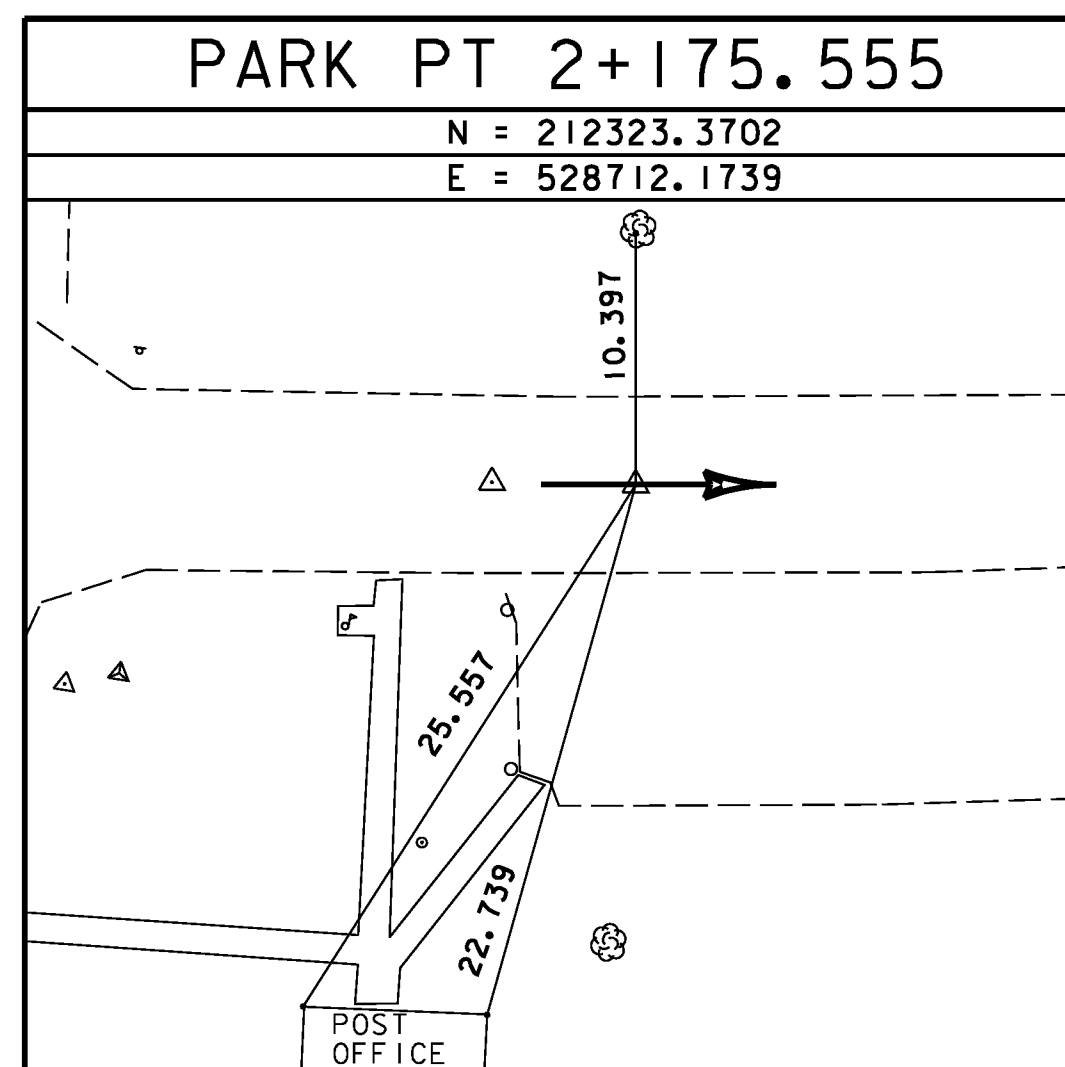
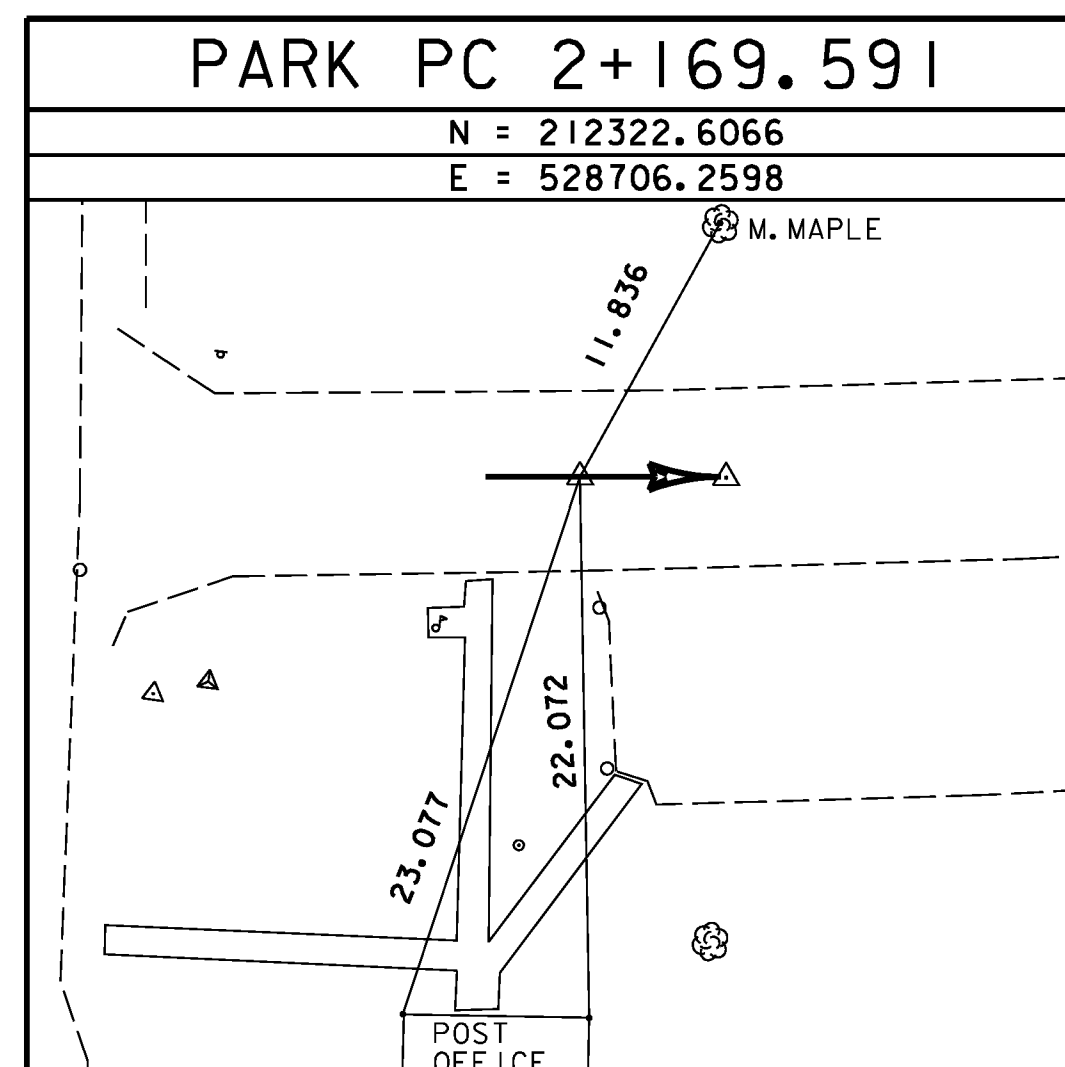
NOTE: ALIGNMENT WAS RUN ON DEC. 1, 2003 BY R. GILMAN PC, P. WINTERS, & D. BREER

ALIGNMENT TIES



NOTE: ALIGNMENT WAS RUN ON DEC. 1, 2003 BY R. GILMAN PC, P. WINTERS, & D. BREER

ALIGNMENT TIES



NOTE: ALIGNMENT WAS RUN ON DEC. 1, 2003 BY R. GILMAN PC, P. WINTERS, & D. BREER

PROJECT NAME: DANVILLE  
PROJECT NUMBER: F EGC 028-3(32)  
FILE NAME: ...\\highway\PlotFiles\007 ties.ptf PLOT DATE: 1/18/2011  
DESIGN SUPERVISOR: VTRANS DRAWN BY: VTRANS  
DESIGNED BY: VTRANS CHECKED BY: VTRANS  
TIE SHEET TIE-3 SHEET 46 OF 306