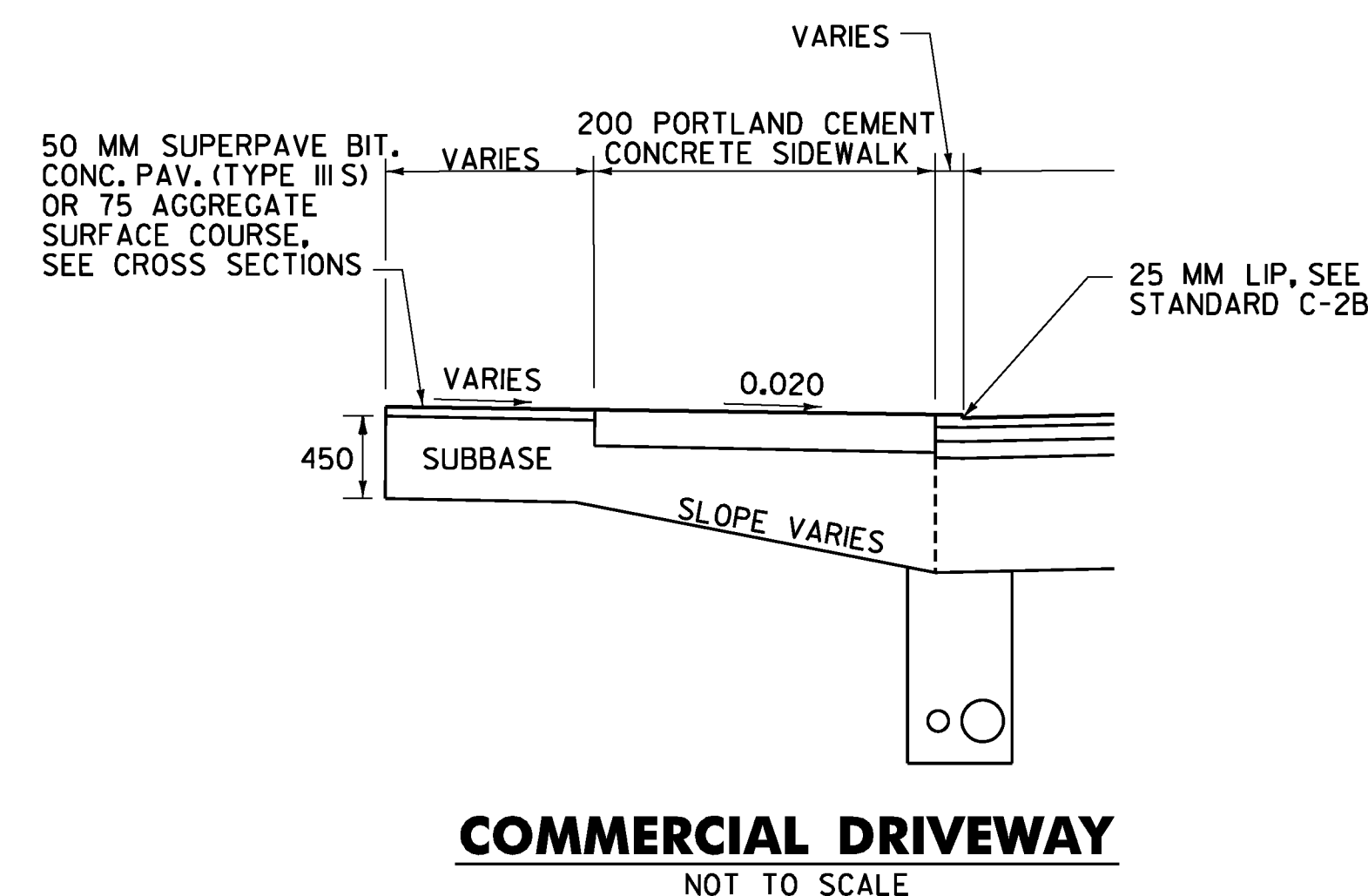
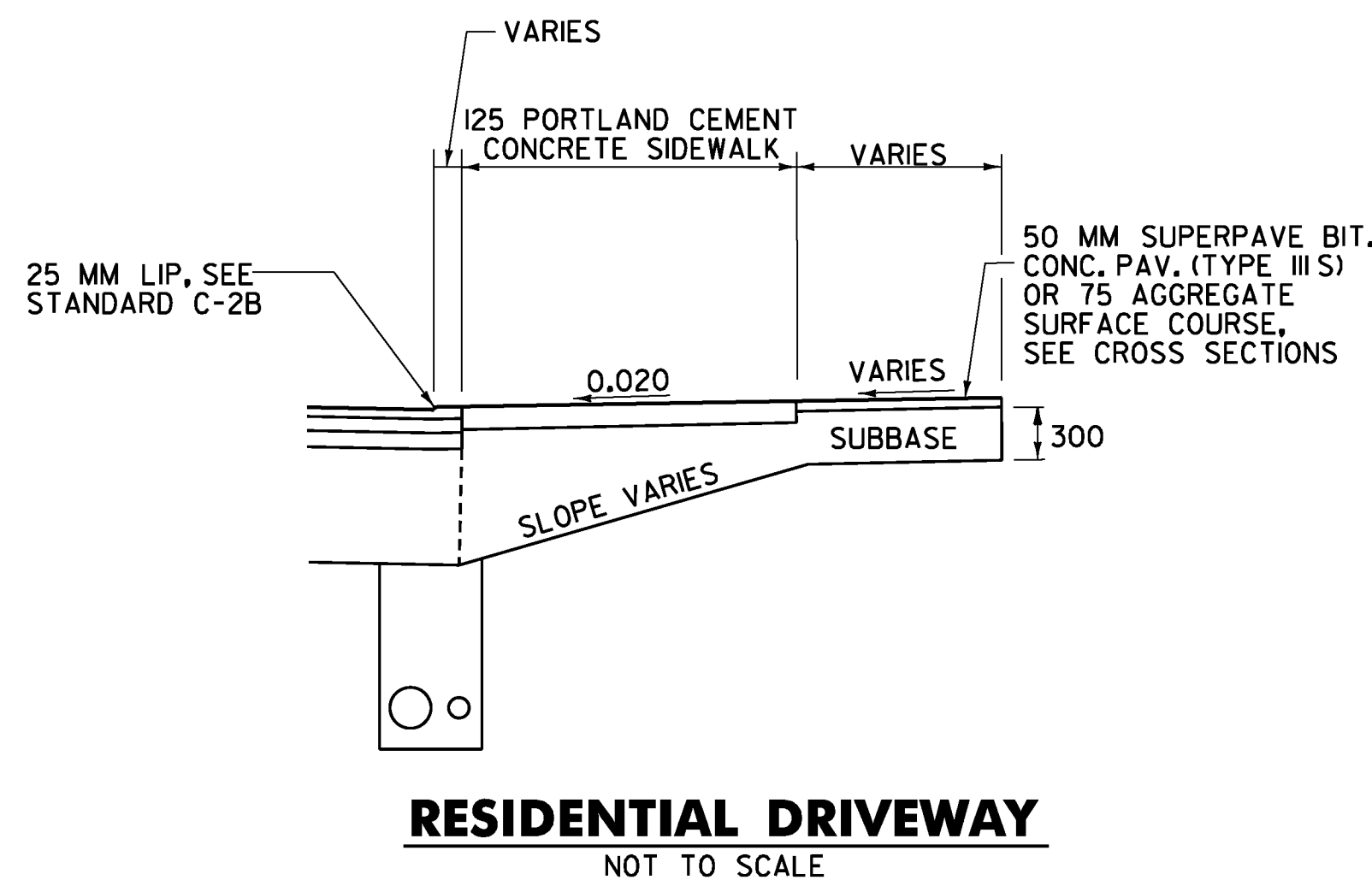
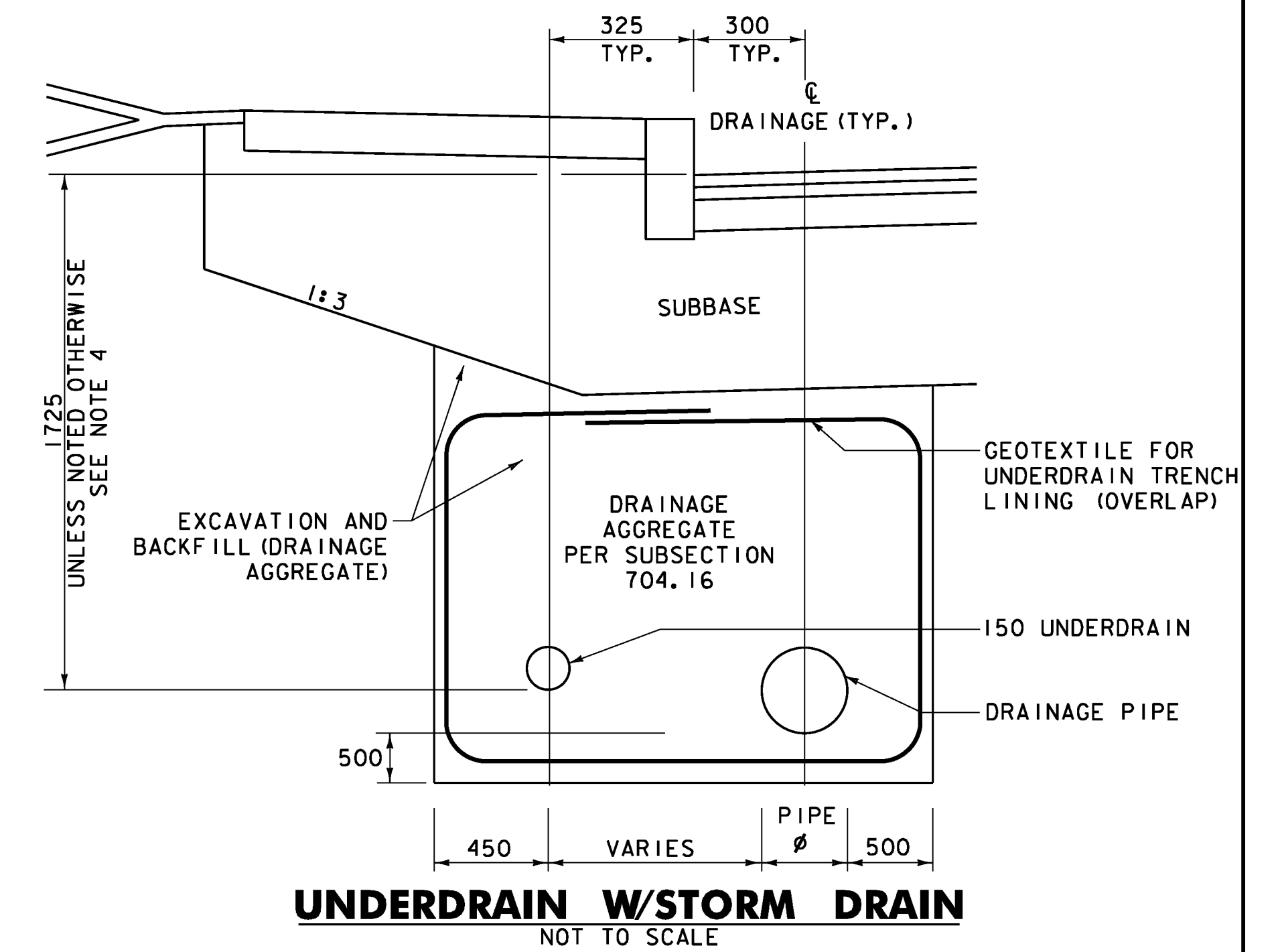
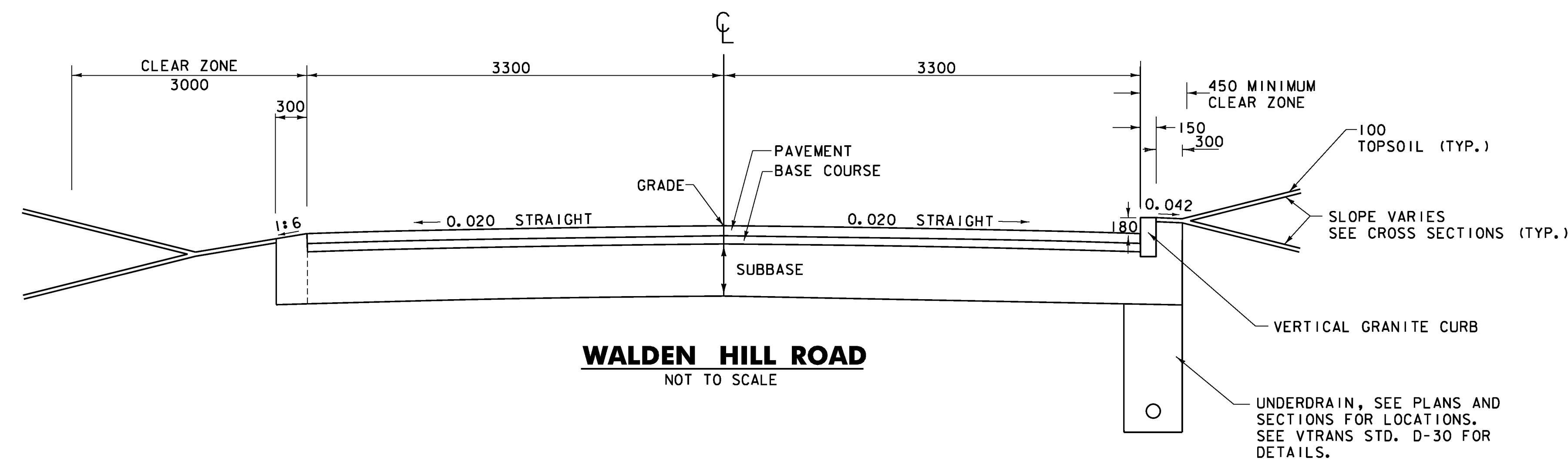
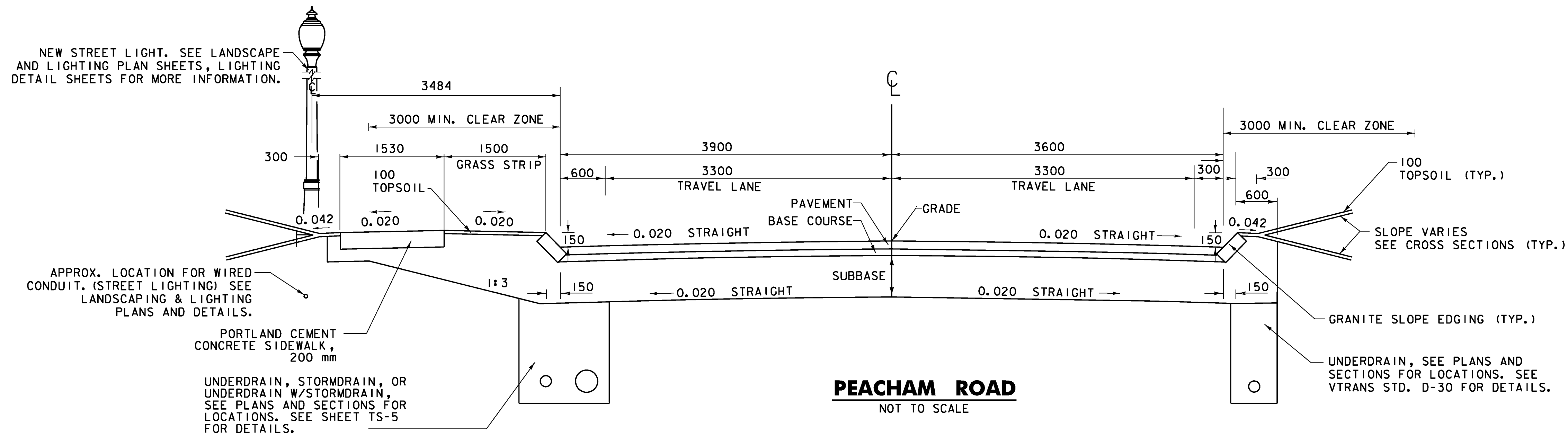


TYPICAL SECTIONS



100 mm SUPERPAVE BITUMINOUS CONCRETE PAVEMENT, TYPE IIIS, (2 LIFTS - 50MM PER LIFT) - WEARING COURSE
 70 mm SUPERPAVE BITUMINOUS CONCRETE PAVEMENT, TYPE IIS, (SINGLE LIFT) - BASE COURSE
 380 mm SUBBASE OF DENSE GRADED CRUSHED STONE



REPLACEMENT SHEETS
ISSUED 02/24/2012

- NOTES:**
1. UNDERDRAIN OUT 15° & 90° ELBOWS TO BE PAID INCIDENTAL TO 605.95 UNDERDRAIN FLUSHING BASIN
 2. SEE VTRANS STANDARD D-30 FOR DETAILS OF UNDERDRAIN FLUSHING BASINS.
 3. SEE TS-1 FOR MATERIAL TOLERANCES AND GENERAL NOTES.
 4. IN ALL LOCATIONS WHERE THE UNDERDRAIN AND DRAINAGE PIPE SHARE THE SAME TRENCH, THE CROWN ELEVATION OF THE UNDERDRAIN AND THE CROWN ELEVATION OF THE DRAINAGE PIPE SHALL BE EQUAL. ON THE SIDE OF THE ROAD WHERE THERE IS ONLY UNDERDRAIN, THE UNDERDRAIN INVERT ELEVATION SHALL BE SET TO 0.45 M BELOW THE BOTTOM OF SUBBASE.

PROJECT NAME: DANVILLE
 PROJECT NUMBER: F EGC 028-3(32)

FILE NAME: ...PlotFiles\003-006 typ.ppf PLOT DATE: 2/24/2012
 DESIGN SUPERVISOR: GARY SANTY DRAWN BY: STANTEC
 DESIGNED BY: STANTEC CHECKED BY: STANTEC
TYPICAL SECTION TS-5 SHEET 7 OF 306

