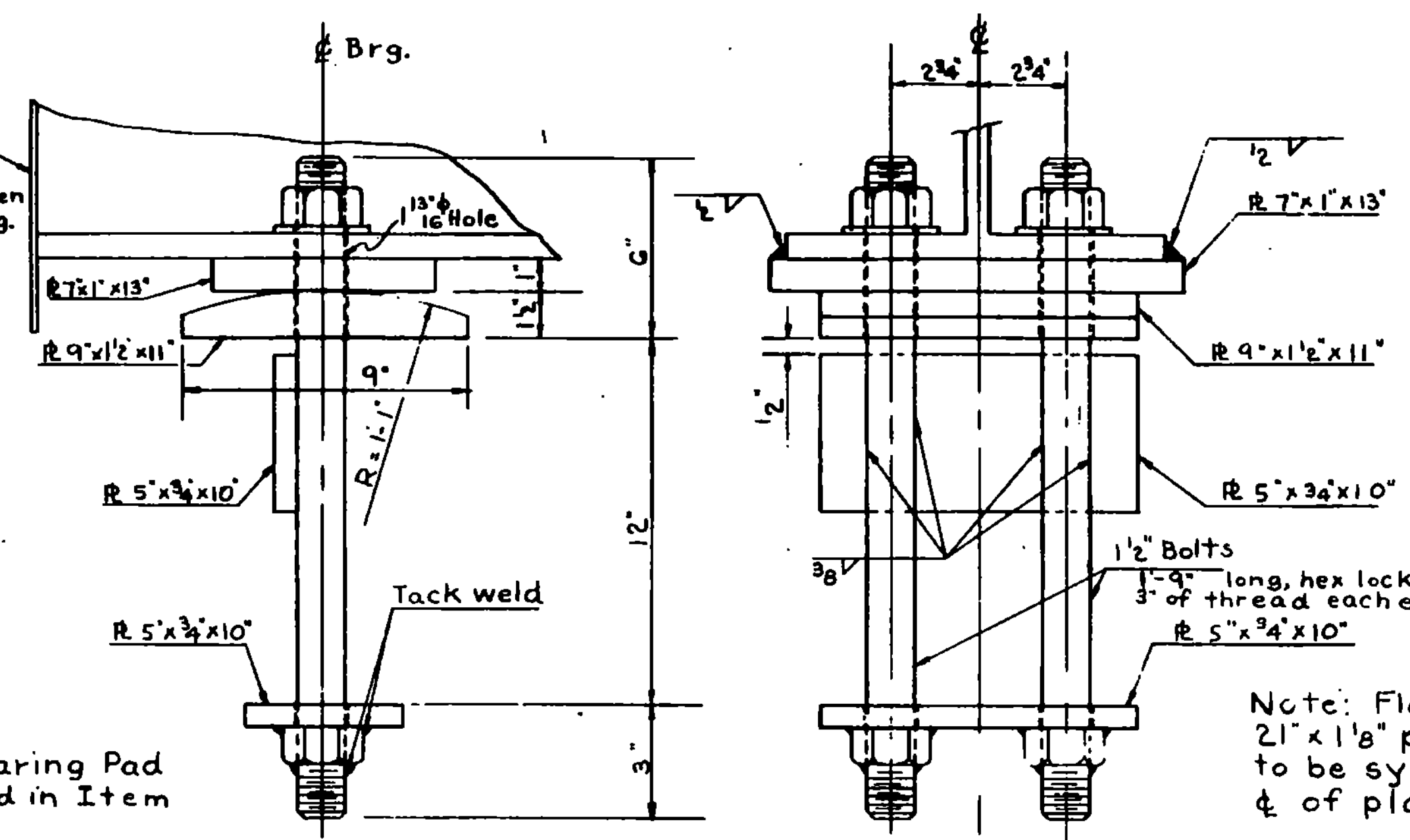
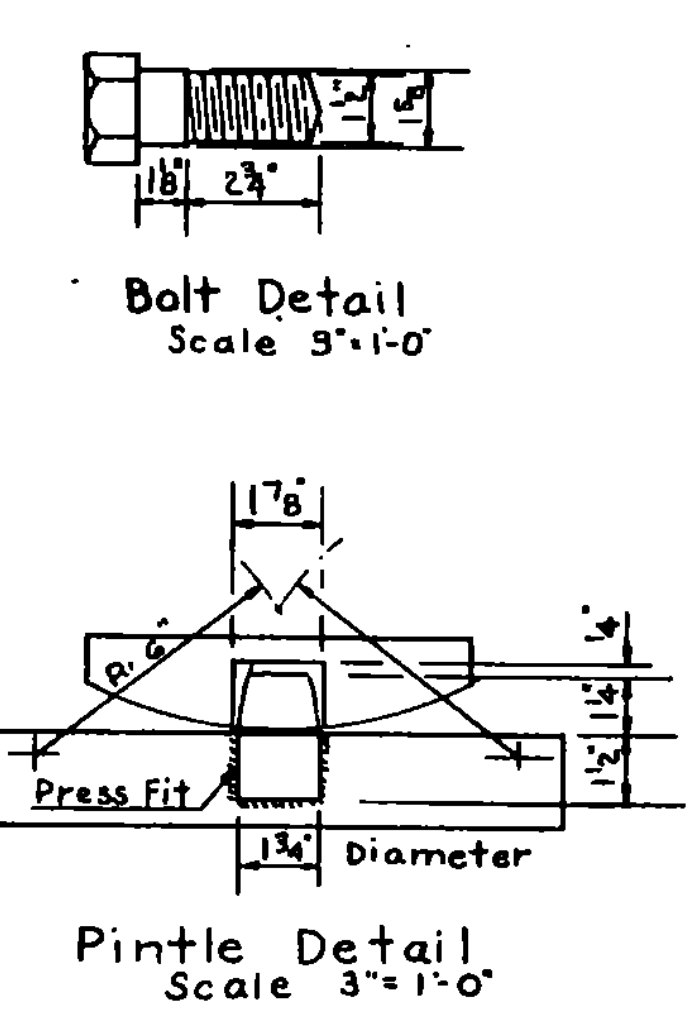


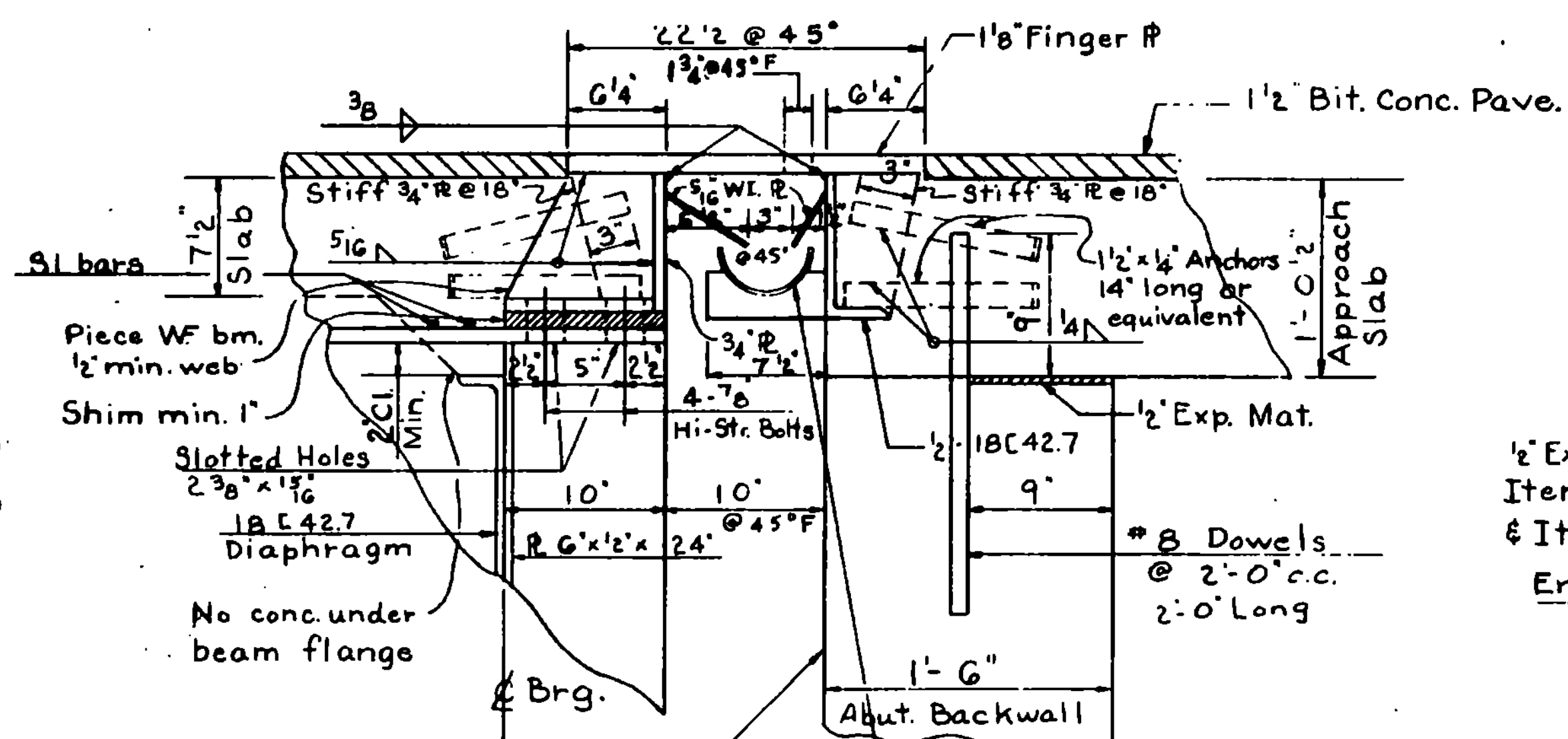
Expansion Brg. Detail
Scale 3"=1'-0"



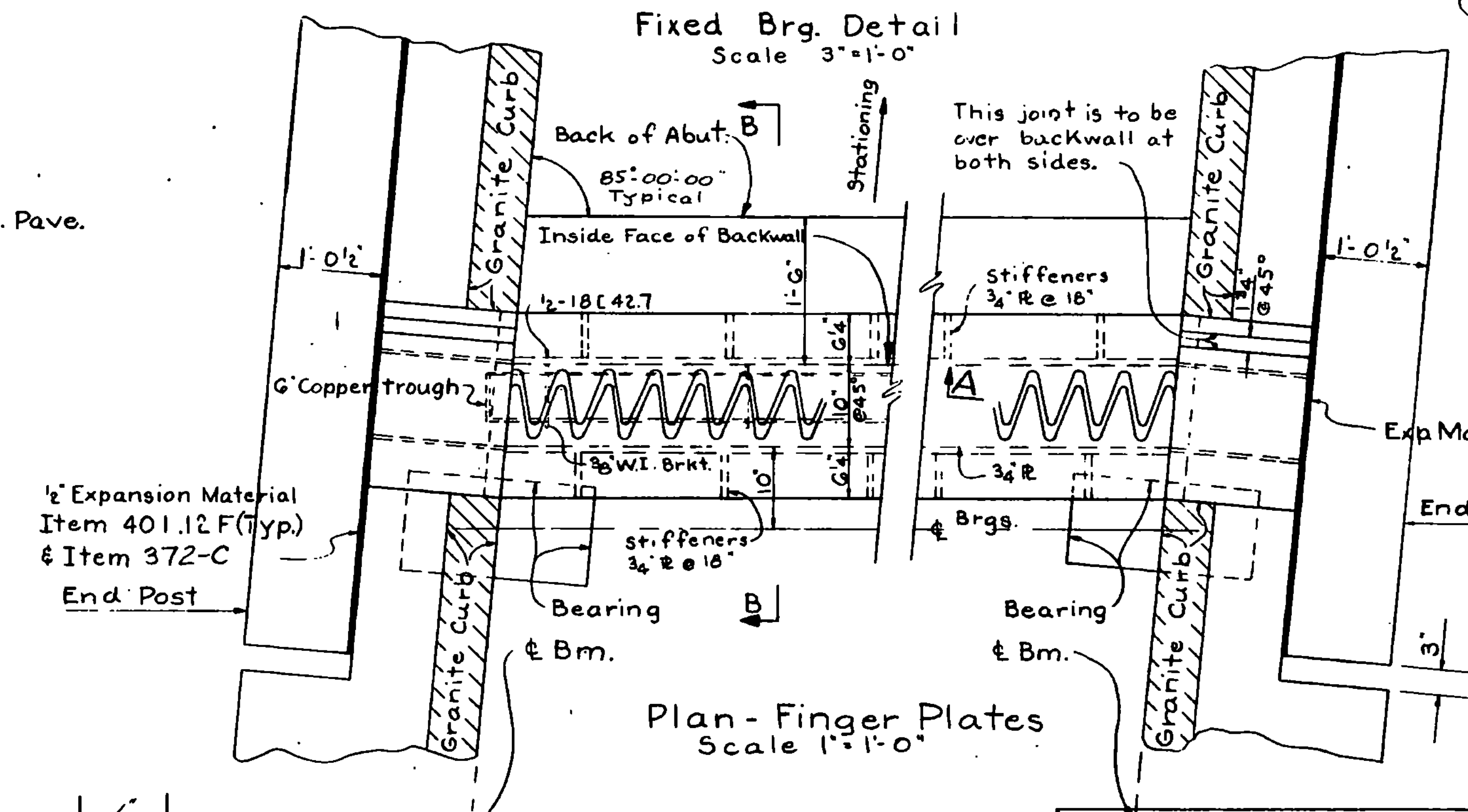
Fixed Brg. Detail
Scale 3"=1'-0"



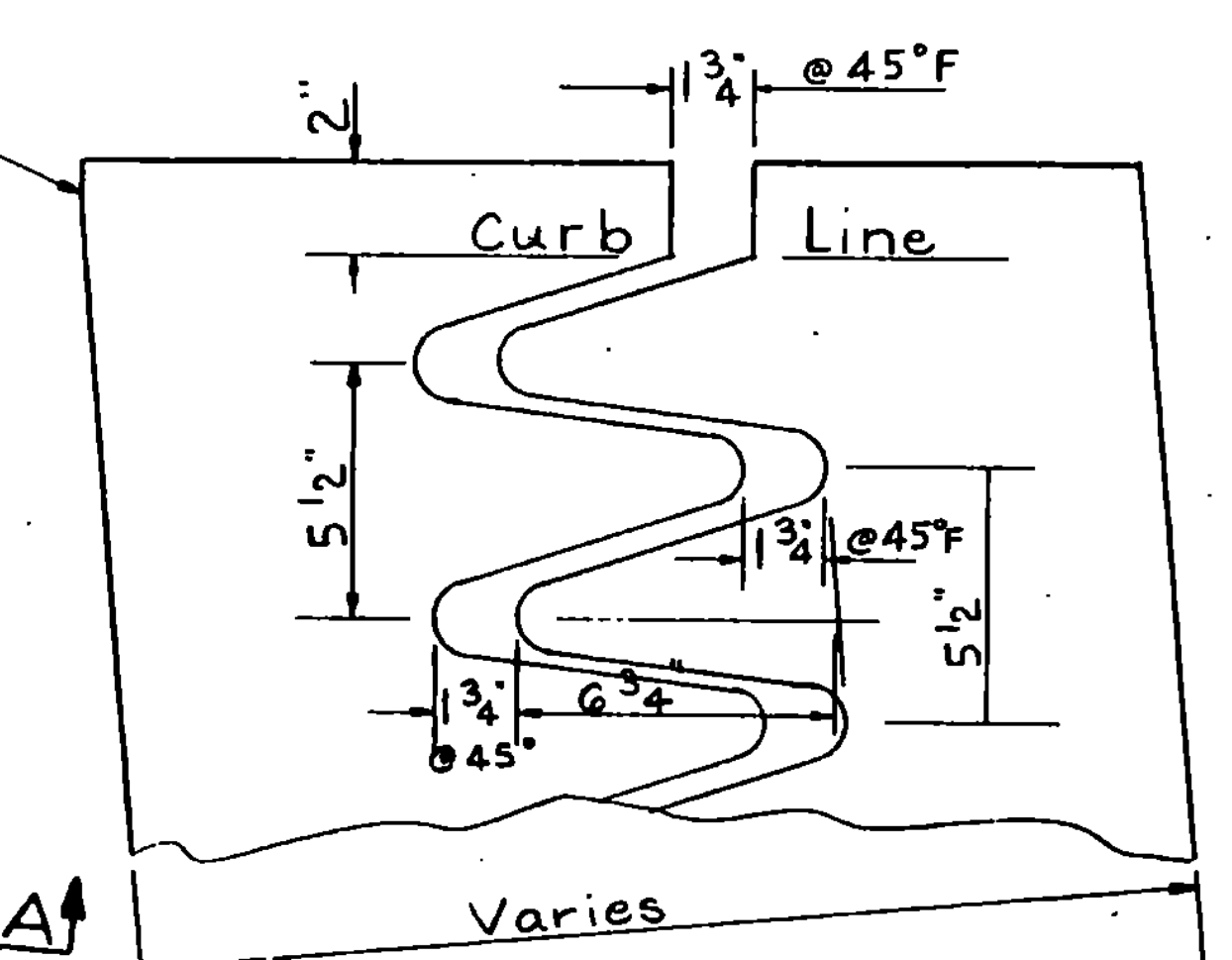
Note: Flame cut from 21" x 1 1/8" plate. Finger are to be symmetrical about center of plate.



Section B-B
Scale 1 1/2"=1'-0"

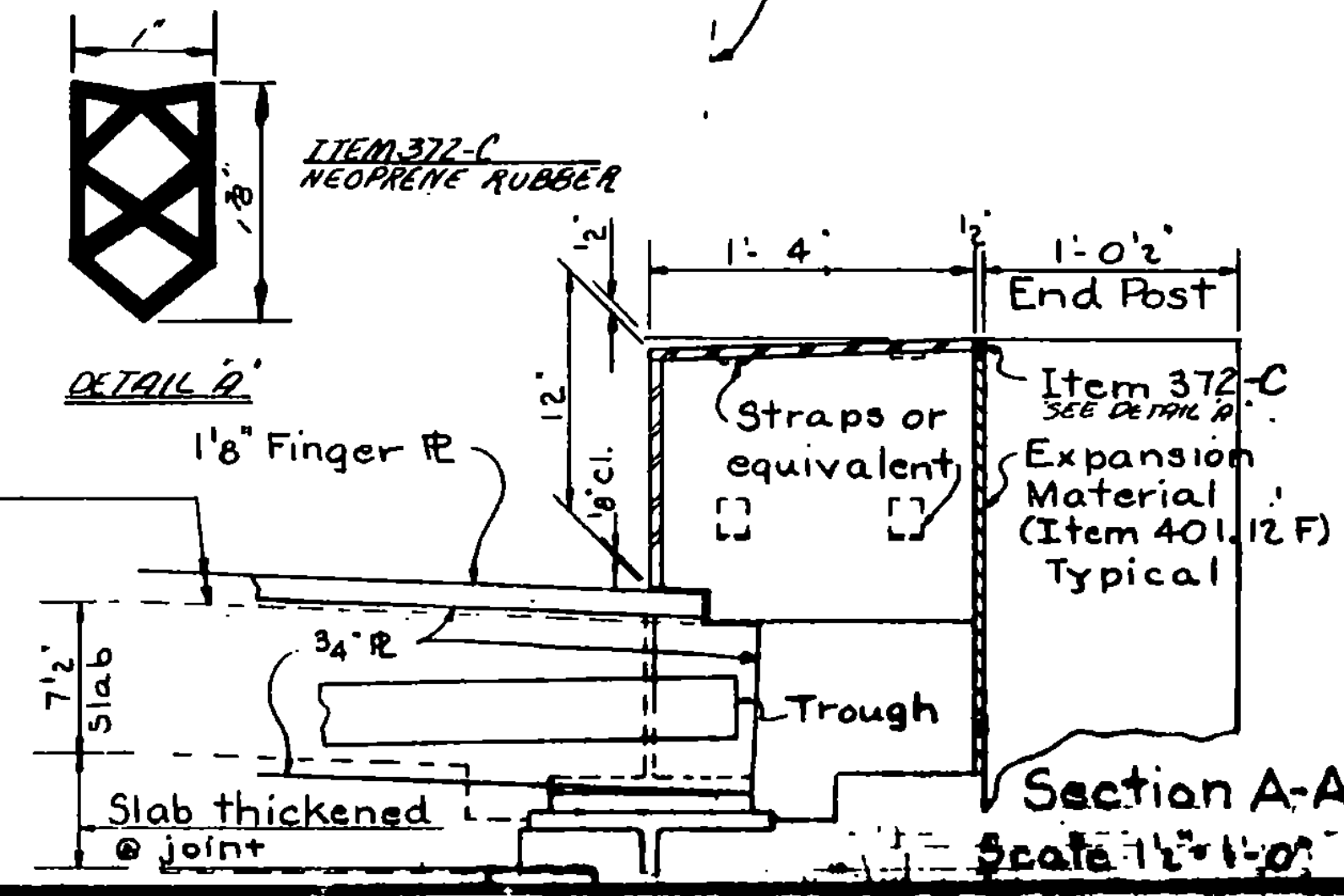


Plan-Finger Plates
Scale 1"=1'-0"

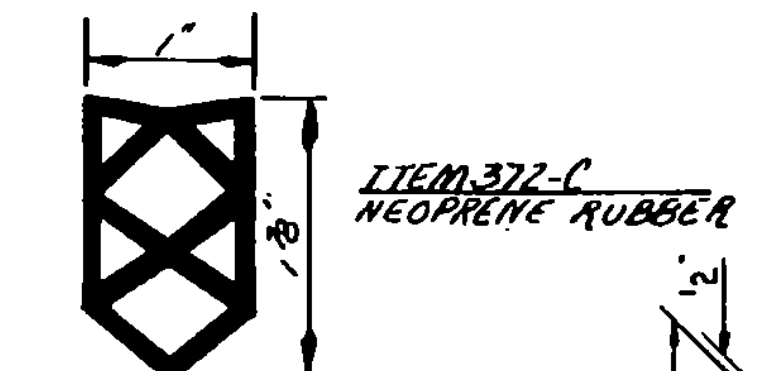


Finger Plate Detail
Scale 3"=1'-0"

- Notes:
1. For details of Exp. Jt. Assembly not shown see Std. Sh. SCWPG-30-G2, Sh. 4 of 4.
 2. For details of Fixed Bearings not shown see Std. Sh. SCB-D8-G2.
 3. Exp. Bearings to be set vertical at 45° F.
 4. For layout details of 6" Copper Trough and 4" dia. Wrought Iron drain pipe see Std. Dwg. SCWPG-30-G2, Sheet #1.
 5. Preformed Neoprene Rubber Joint Material, Item 372-C shall be used wherever Item 373 is indicated in the standards. Stage I Construction



Section A-A
Scale 1 1/2"=1'-0"



ITEM 372-C
NEOPRENE RUBBER

IR-DECK (15) U.S. 5, BR #58A
THIS SHEET FOR INFORMATION ONLY

ITEM NO.	ITEM	UNIT	NET	TOTAL	FINAL
	CHAN. EXCAV. OF EARTH	C.Y.			
	CHAN. EXCAV. OF ROCK	C.Y.			
	UNCLASS. CHAN. EXCAV.	C.Y.			
	STRUCT. EXCAV.	C.Y.			
	CONC. CLASS AA (MOD.)	C.Y.			
	CONC. CLASS B (MOD.)	C.Y.			
	REINF. STEEL	LBS.			
	ASPHALTIC-ASB. COATING	S.Y.			
	TREATED TIMBER PILING	L.F.			
	SPLICES FOR STEEL PILING	EA.			
	STEEL PILING	L.F.			
	UNTREATED TIMBER PILING	L.F.			

STATE OF VERMONT
DEPARTMENT OF HIGHWAYS

Weatherfield
TOWN OF Windsor-Hartland

ROUTE No. I 91 LOG STA. _____

Details of Brgs. & Exp. Jt. Assembly
U.S. Rte 5 over I 91

SCALE As Noted

SURVEYED BY: Penniman

DRAWN BY: A.J.C. CHECKED BY: R.W.

PROJECT No. I 91