

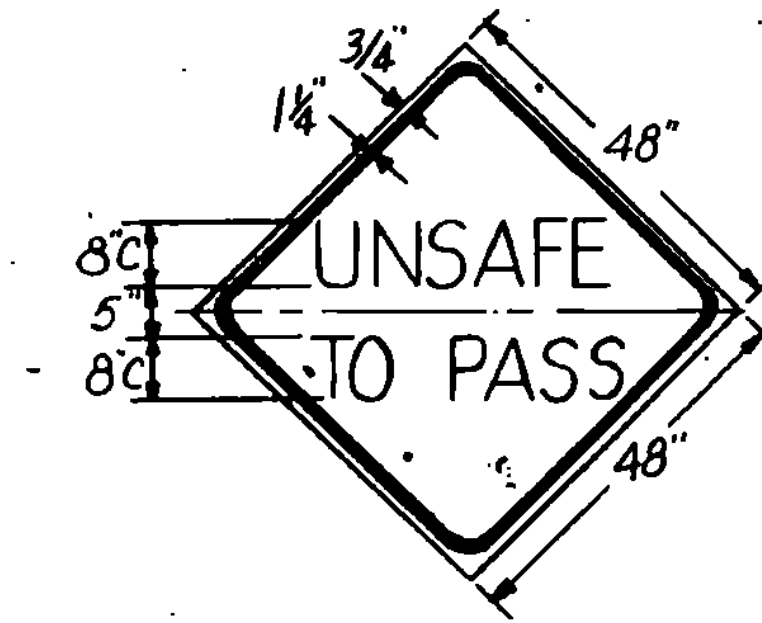
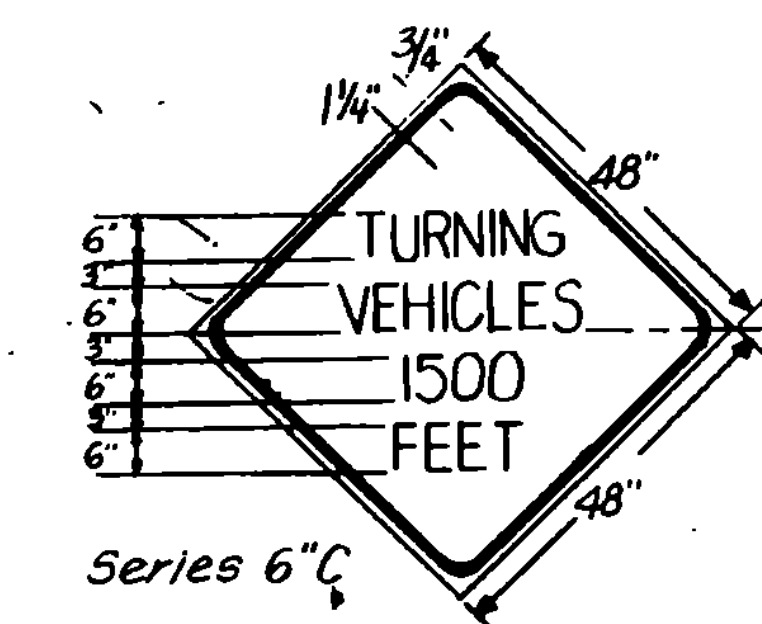
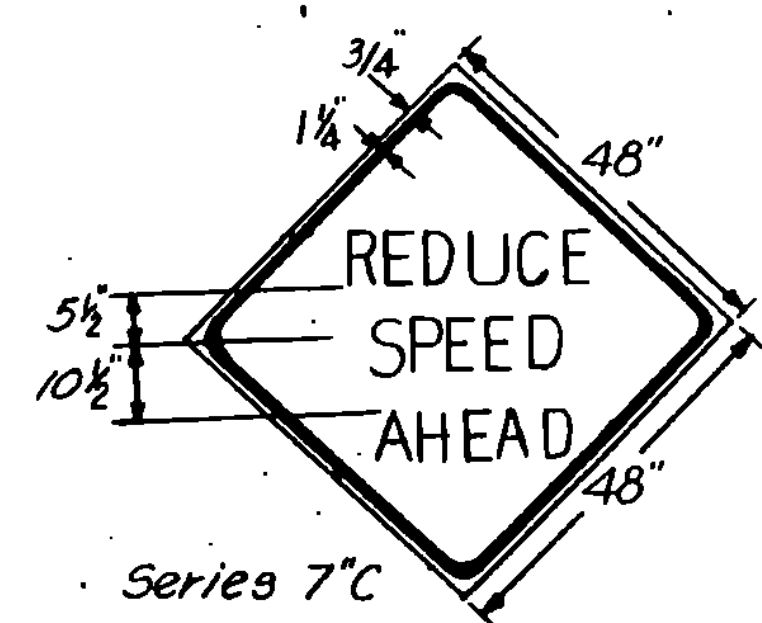
SECTION

TRAFFIC SIGN SUMMARY SHEET

SIGN NOTES: THESE SIGNS ARE SUBSIDIARY TO OTHER ITEMS. ADDITIONAL SIGNS AND SIGN POSTS, IF REQUIRED BY THE ENGINEER, SHALL ALSO BE SUBSIDIARY TO OTHER ITEMS.

SIGNS SHALL BE ERECTED ON FLANGED CHANNEL STEEL POSTS, AT LEAST 6 FEET OUTSIDE THE SHOULDER POINT OR 2 FEET OUTSIDE GUARD RAIL. SIGNS FOR TEMPORARY USE MAY BE MOUNTED ON APPROVED PORTABLE SUPPORTS. THE SIGN SHALL BE MOUNTED SO THAT THE BOTTOM OF THE SIGN WILL BE AT LEAST 1 FOOT ABOVE ROAD LEVEL. THE INSTALLATION AND MAINTENANCE OF ALL SIGNS SHALL BE SUBJECT TO THE APPROVAL OF THE ENGINEER.

3 LBS./FT. - MAXIMUM

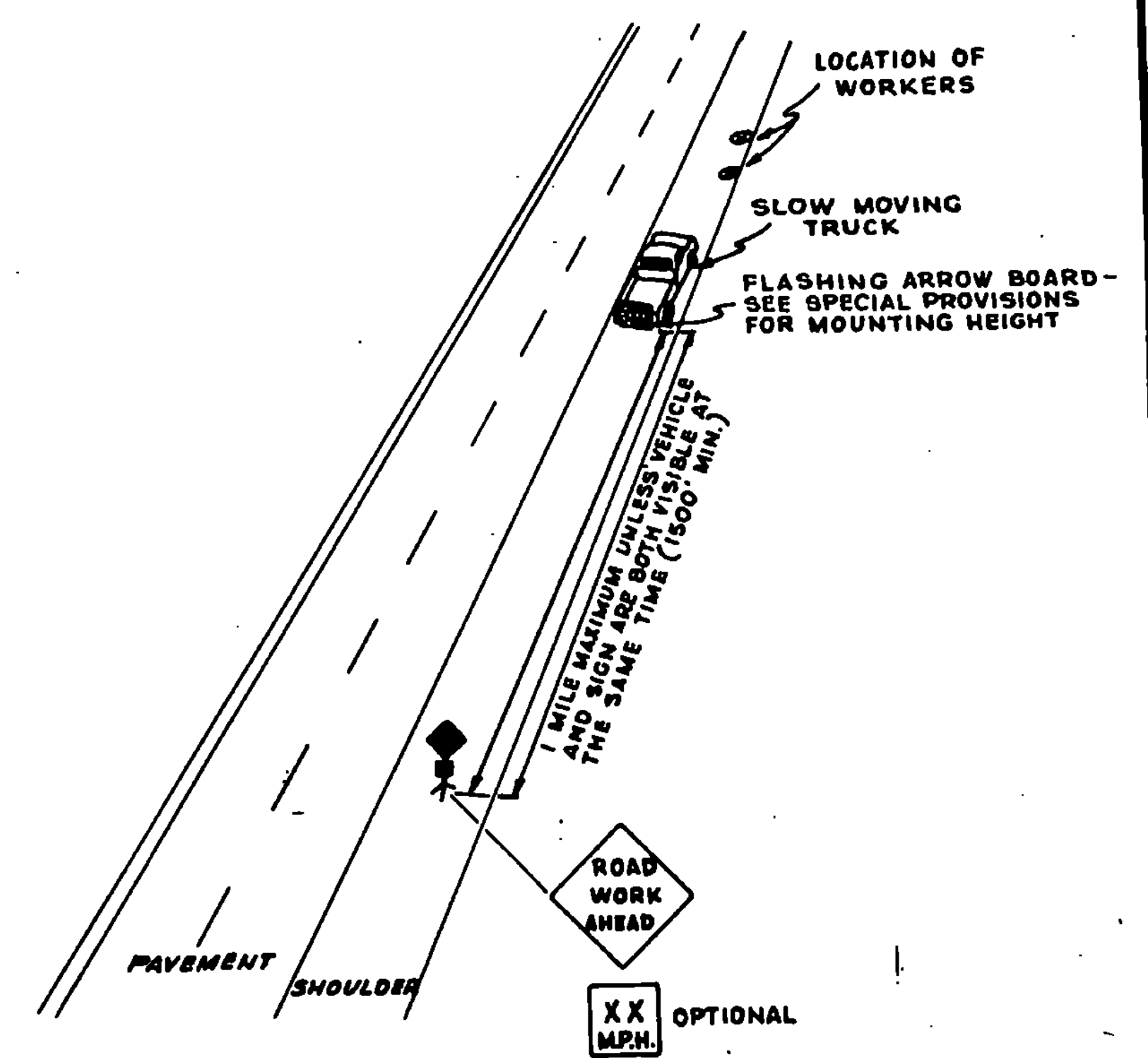


BORDER & LEGEND - BLACK (NON-REF.)
BACKGROUND - ORANGE (REFL. HIGH INT.)
FOR MATERIAL SPECS, SEE STD. E-8
(APPLIES TO ALL SIGN DETAILS ABOVE)

ADVISORY

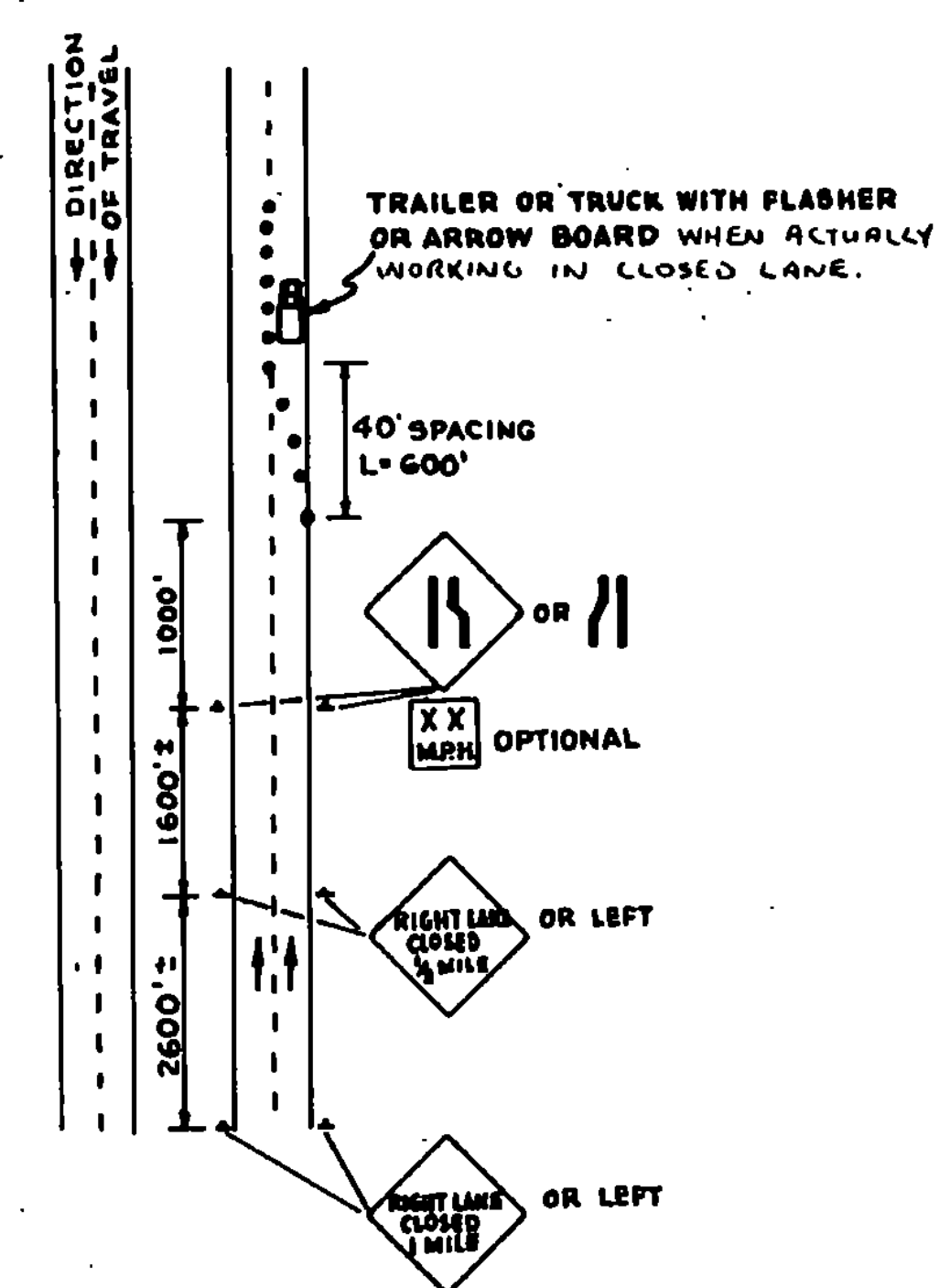
LEGAL

IDENTIFICATION	NUMBER OF SIGNS	SIZE		TEXT	FOR SIGN DETAIL SEE STANDARD OR SHEET NUMBER
		WIDTH	HEIGHT		
	4	4	4	LEFT LANE CLOSED 1 MILE RIGHT	E-8
	4	4	4	LEFT LANE CLOSED 1/2 MILE RIGHT	E-8
	1	4	4	TURNING VEHICLES 1500 FEET	THIS SHEET
	2	4	4		E-8
	2	4	4		E-6
	1	4	4		E-19
	2	4	4	REDUCE SPEED AHEAD	THIS SHEET
	2	2	2	40 MPH	E-8
	4	4	4	UNSAFE TO PASS	THIS SHEET
	2	4	5	REDUCED SPEED AHEAD	THIS SHEET
	2	4	5	SPEED LIMIT 40	E-15B
	2	4	5	DO NOT PASS	E-15A



MOVING OPERATION LANE-CLOSURE (Delineator Placement)

When delineators are being placed adjacent to the 4' shoulder the operation must be additionally protected by the standard "LEFT LANE CLOSED" sign package. The Contractor may elect to perform such work when the left lane is closed for other purposes.



Typical application - daytime maintenance operations of short duration on a four-lane divided roadway where one lane is closed. To be used for bridge work where concern for legal speed zone signing is not a problem (low volume - adequate sight distance).

SIGN SUMMARY CONST. VEHICLE TURNING	SURVEYED BY _____ DATE _____
	DRAWN BY _____ DATE 5-11-85
	TRACED BY _____ DATE _____
	HARTMANN, HARTFORD
	SHARON IR-DECK (15)
PROJ. NO. _____	
TRAFFIC SHEET NO. 201 SHEET 8 OF 97	