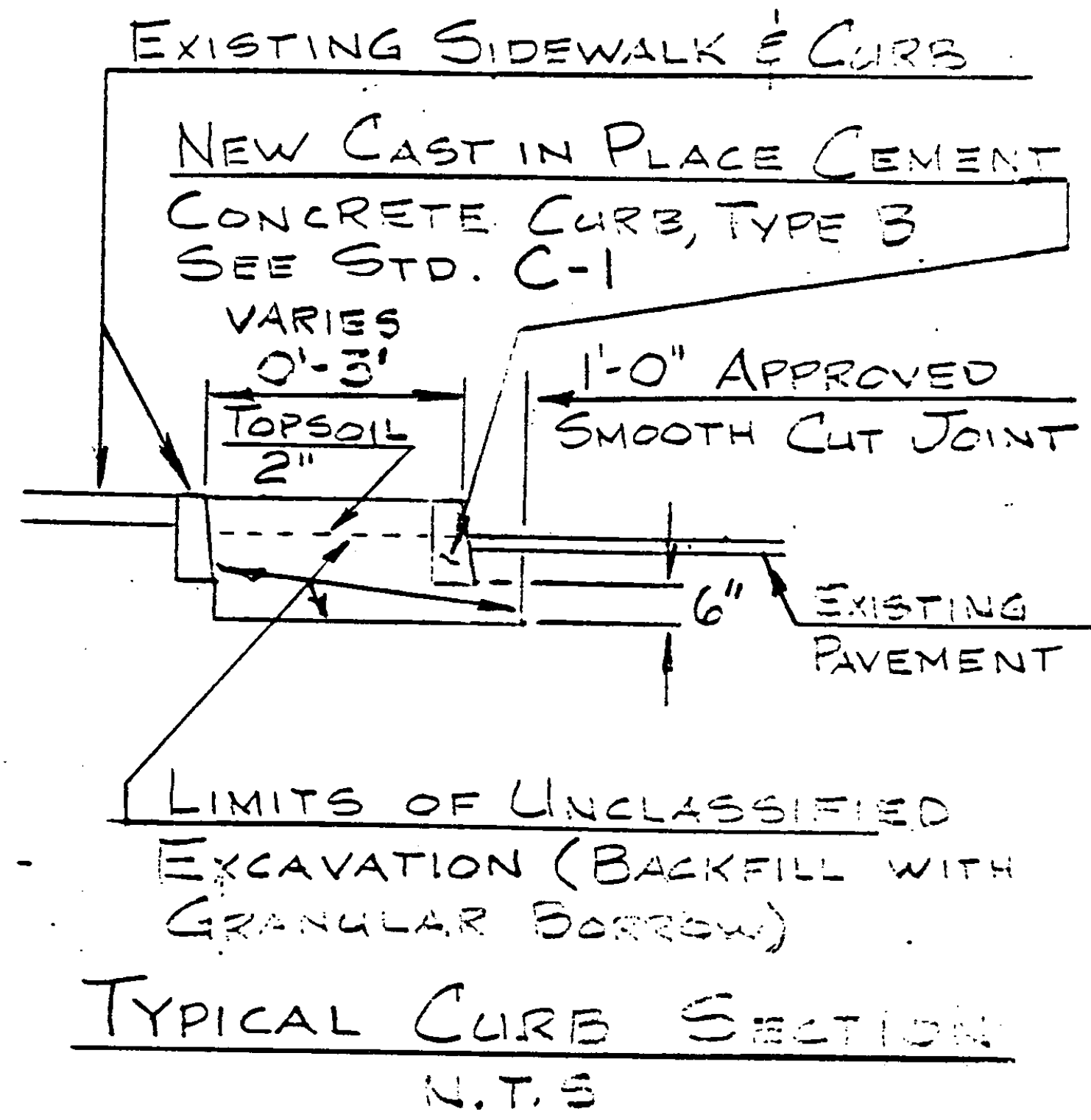
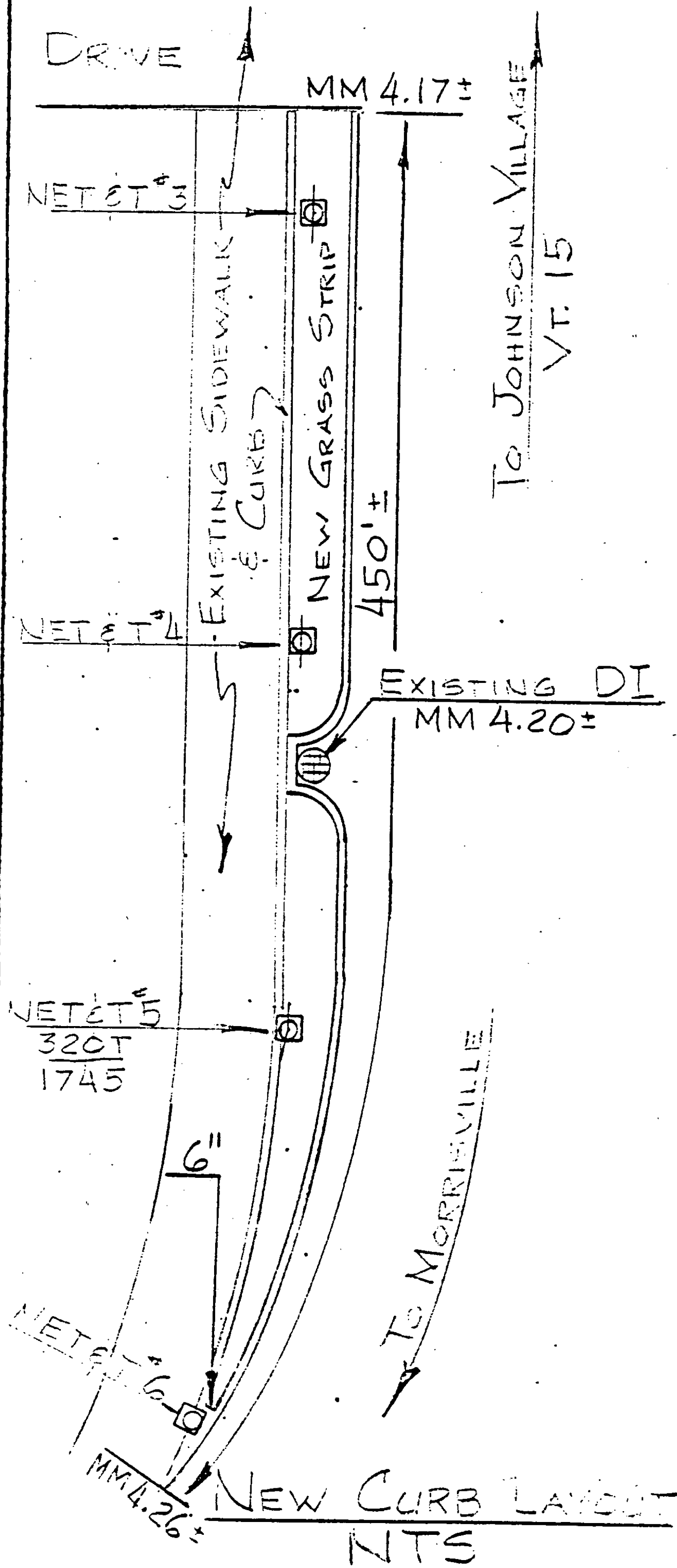


CURB LAYOUT AND TYPICAL

NET & T #2



- NOTE:
1. SEE STD. C-1 FOR CURB END TREATMENT AT DRIVES.
 2. WHEN DISTANCE BETWEEN EXISTING CURB & NEW CURB IS 6" (AT MM 4.26±) FILL AREA BETWEEN WITH CONCRETE.

PROJECT JOHNSON

NO. 30-4/15'S
SHEET 15 OF 31 SHEETS