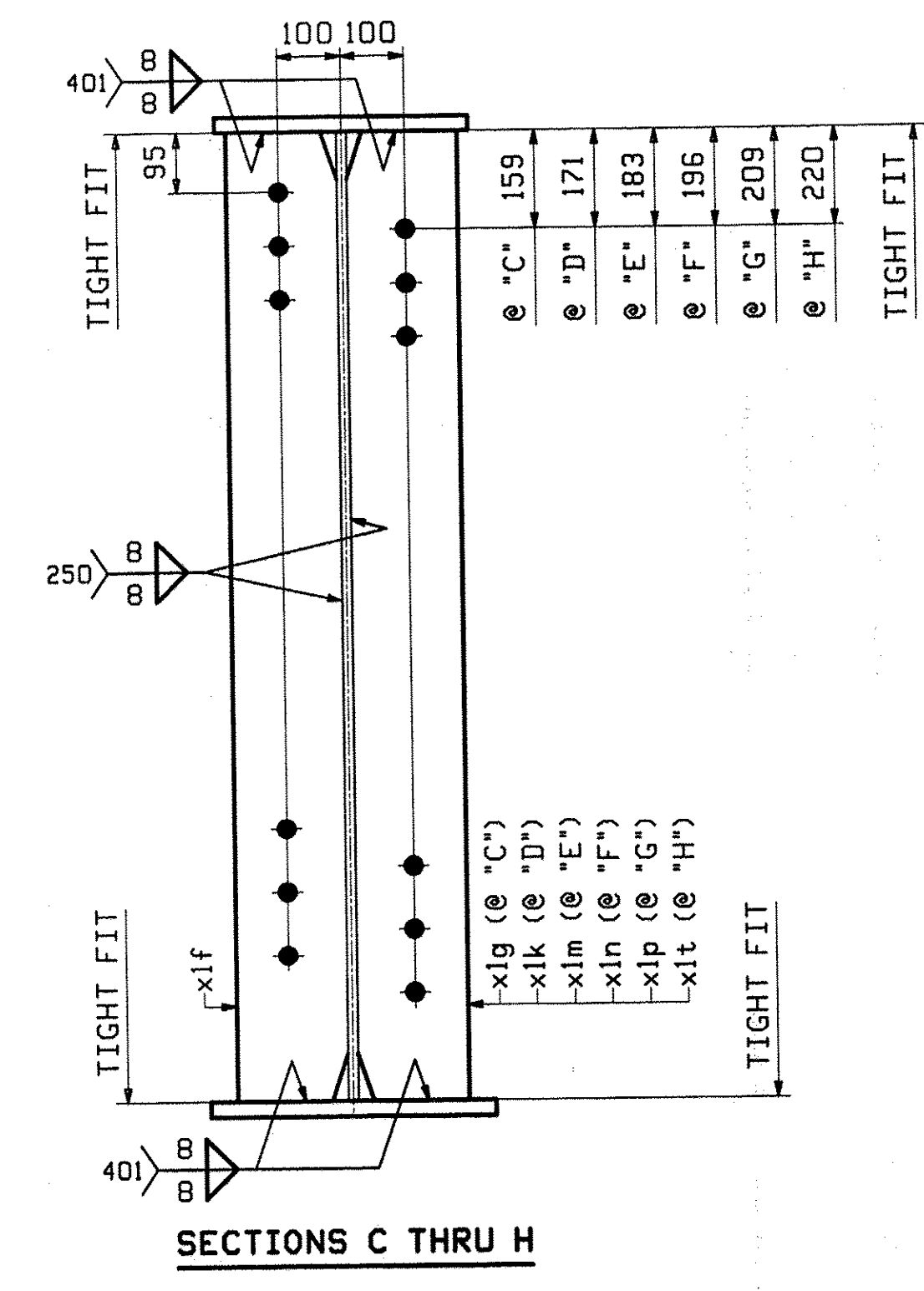
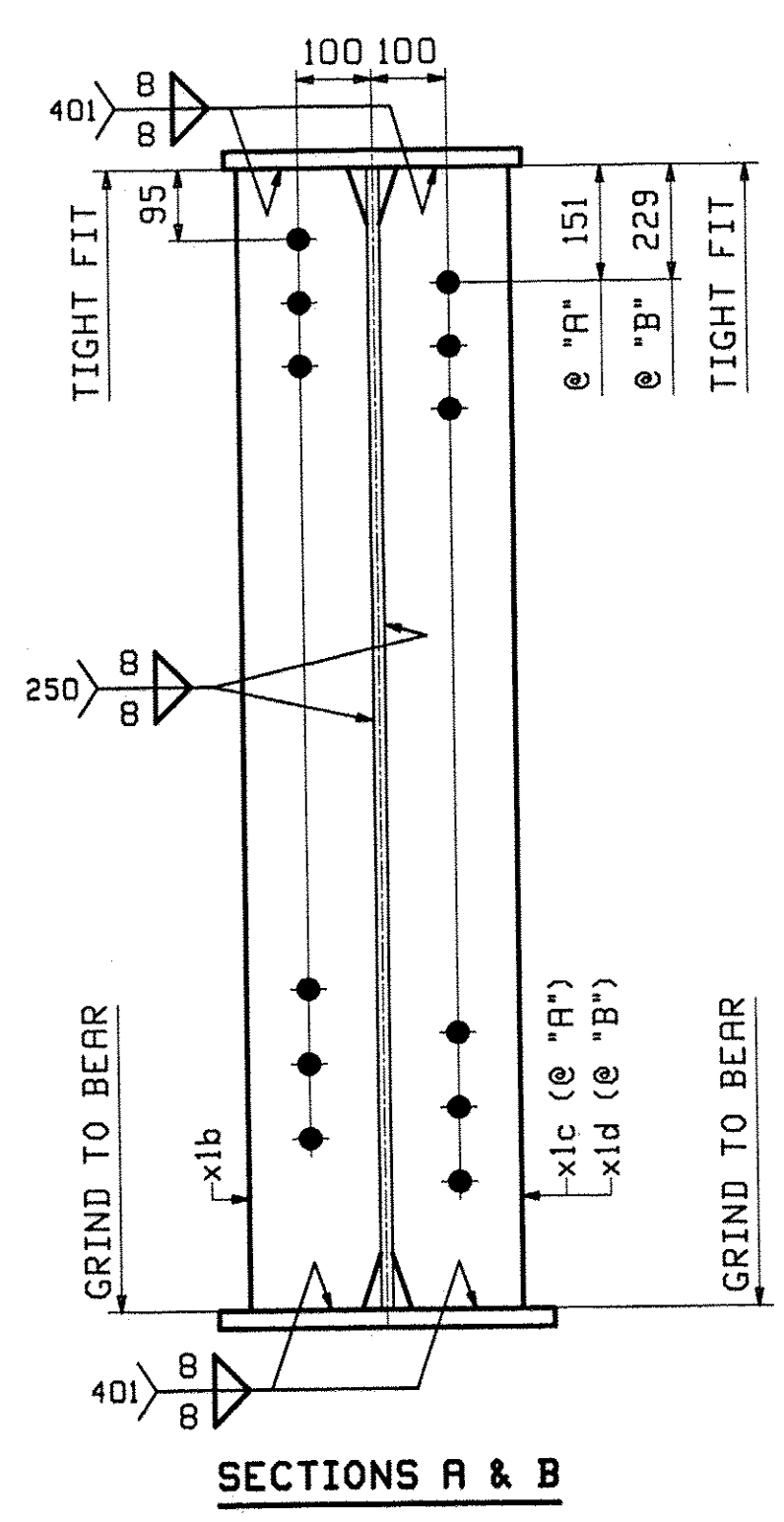
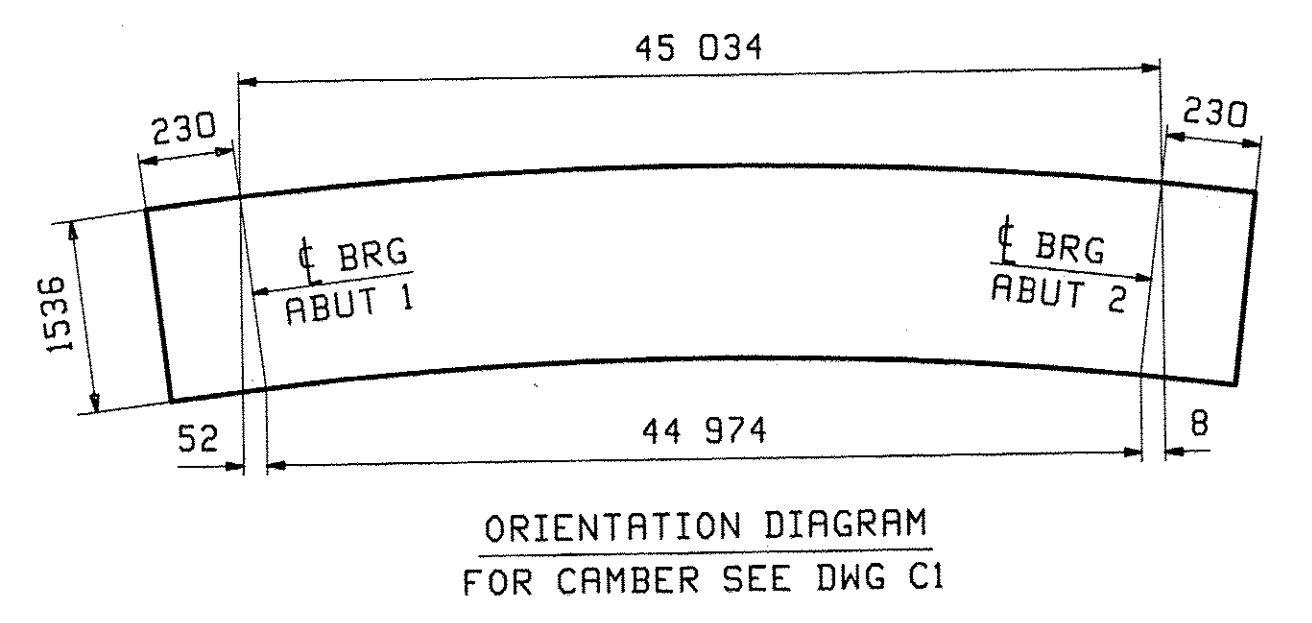
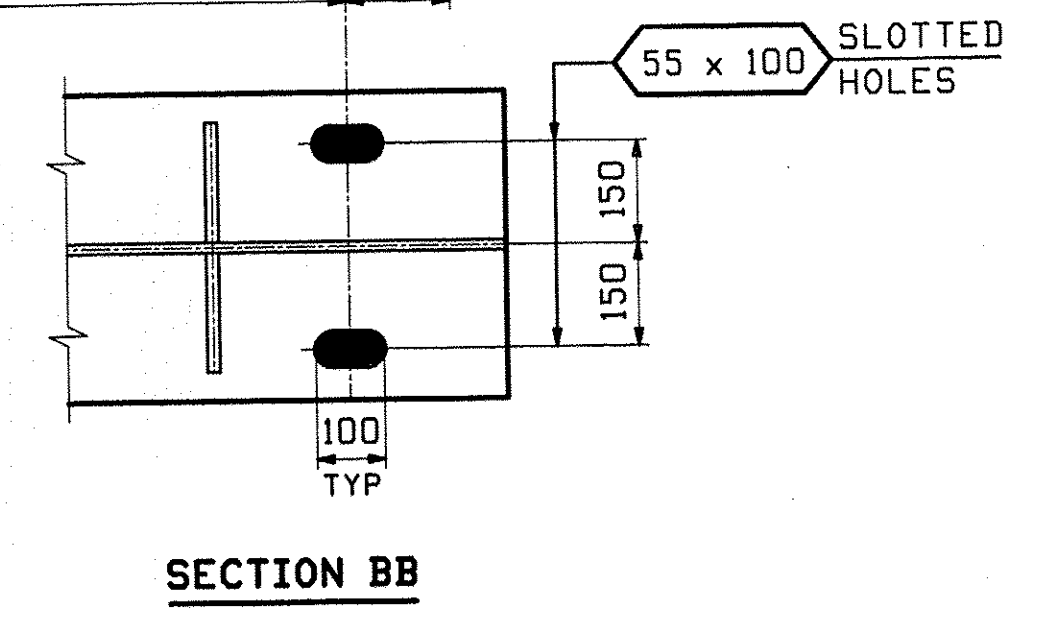
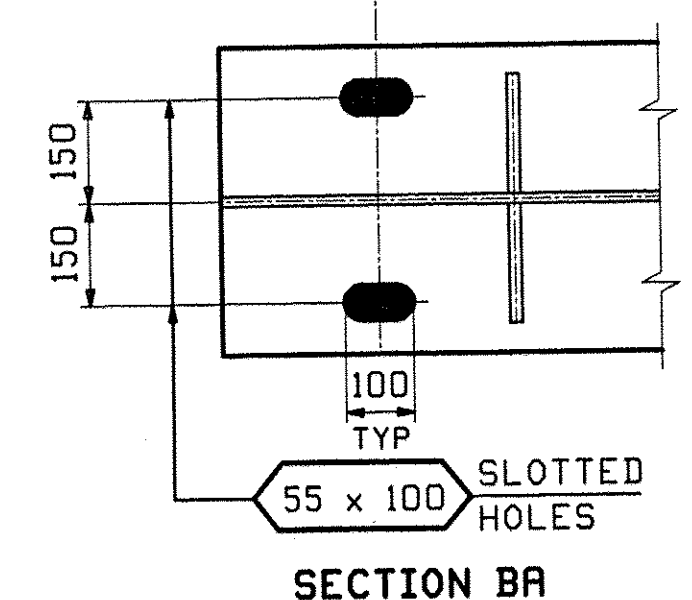


ABM INFO		SHIP	BILL OF MATERIAL				JOB NO.	DRAWING NO.	REV.
PAGE	LINE	MARK	QTY	MARK	MATERIAL	LENGTH	REMARKS	MT	PROCUREMENT NOTES
		3G3	1		GIRDER				8155 *g K9022 *s
1	L		1	wa	PL 16x1536	22 489	M270M-345HT2		
1	J		1	wb	PL 16x1536	23 022	M270M-345HT2		
1	E		1	ta	PL 24x400	24 230	M270M-345HT2		
1	G		1	tb	PL 24x400	21 264	M270M-345HT2		
1	C		1	ba	PL 24x450	10 217	M270M-345HT2		
1	A		1	bb	PL 42x450	25 000	M270M-345HT2		
1	C		1	bc	PL 24x450	10 217	M270M-345HT2		
2	B		2	x1b	PL 18x175	1 536	M1E		
2	B		1	x1c	PL 18x175	1 536	M1E		
2	B		1	x1d	PL 18x175	1 536	M1E		
2	C		6	x1f	PL 14x175	1 536			
2	C		1	x1g	PL 14x175	1 536			
2	C		1	x1k	PL 14x175	1 536			
2	C		1	x1m	PL 14x175	1 536			
2	C		1	x1n	PL 14x175	1 536			
2	C		1	x1p	PL 14x175	1 536			
2	C		1	x1t	PL 14x175	1 536			

ONE - GIRDER - 3G3

FOR GIRDER STANDARDS SEE DRAWING X1.
 FOR CAMBER & FLANGE DIAGRAMS SEE DRAWING C1.
 FOR GENERAL NOTES SEE DRAWING GNI.
 T2 DENOTES MATERIAL SUBJECT TO CHARPY V-NOTCH TESTING.



REV.	DATE	REMARKS	DWN	CHK	APVL	SHOP
0					6/18/10	
MATERIAL:		SURFACE PREP. & PAINT:	HOLES:		SHOP BOLTS:	
M270M-345W(UN)		SEE DWG GNI	15/16"		NONE	
DESCRIPTION: GIRDER - 3G3						
CASCO BAY STEEL STRUCTURES, INC. 75 SPRING HILL ROAD SACO, MAINE 04072 PHONE (207) 282-7360 FAX. (207) 282-1179						
STRUCTURE: VT Route 125 over Lemon Fair River Bridge No. 9 Cornwall County of Addison				DRAWN:	DATE:	
				JTB	06/01	
				CHKD:	DATE:	
				PCP	06/15	
LOCATION: CORNWALL, VERMONT		JOB NO.		DWG NO.		
PROJ NO. BRS 0172(6)		457		3		
CUSTOMER: VT AOT				REV. Δ		

RECEIVED
 JUN 23 2010
 RESUBMIT APPROVED
 BY DATE 7/20/10