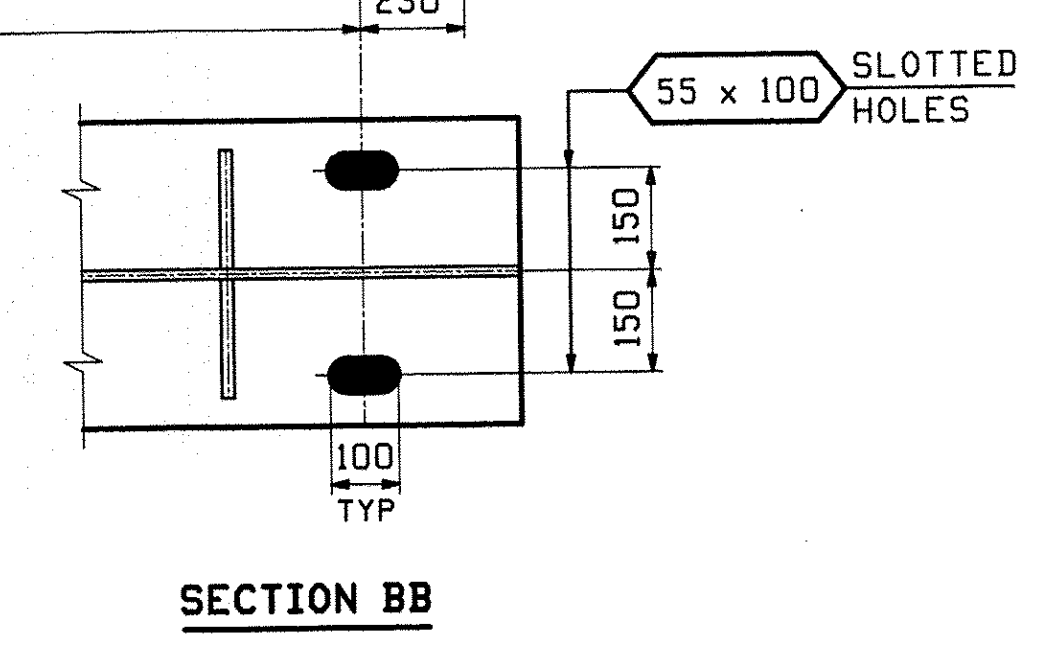
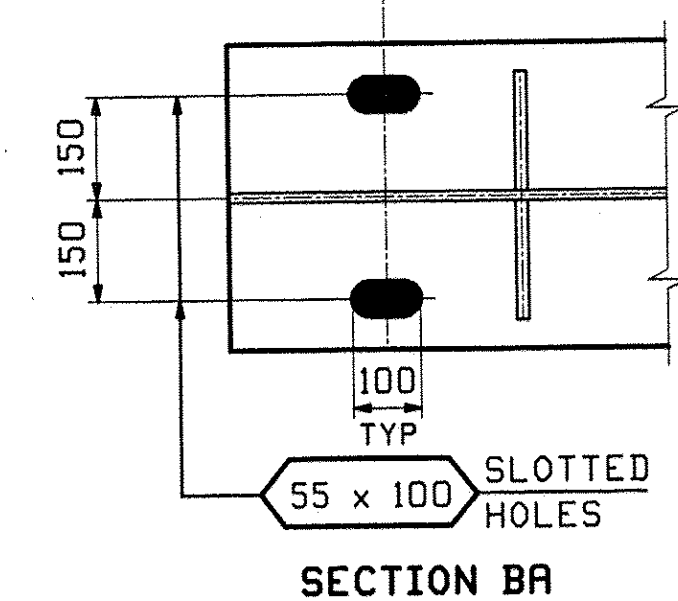
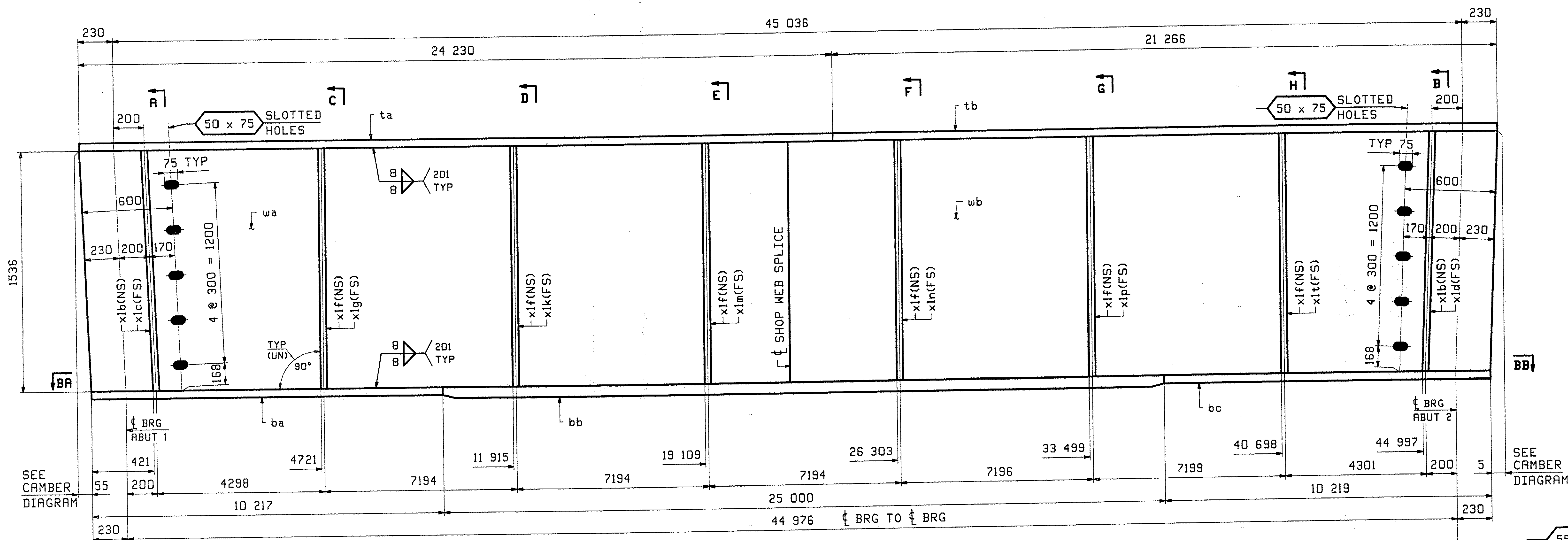
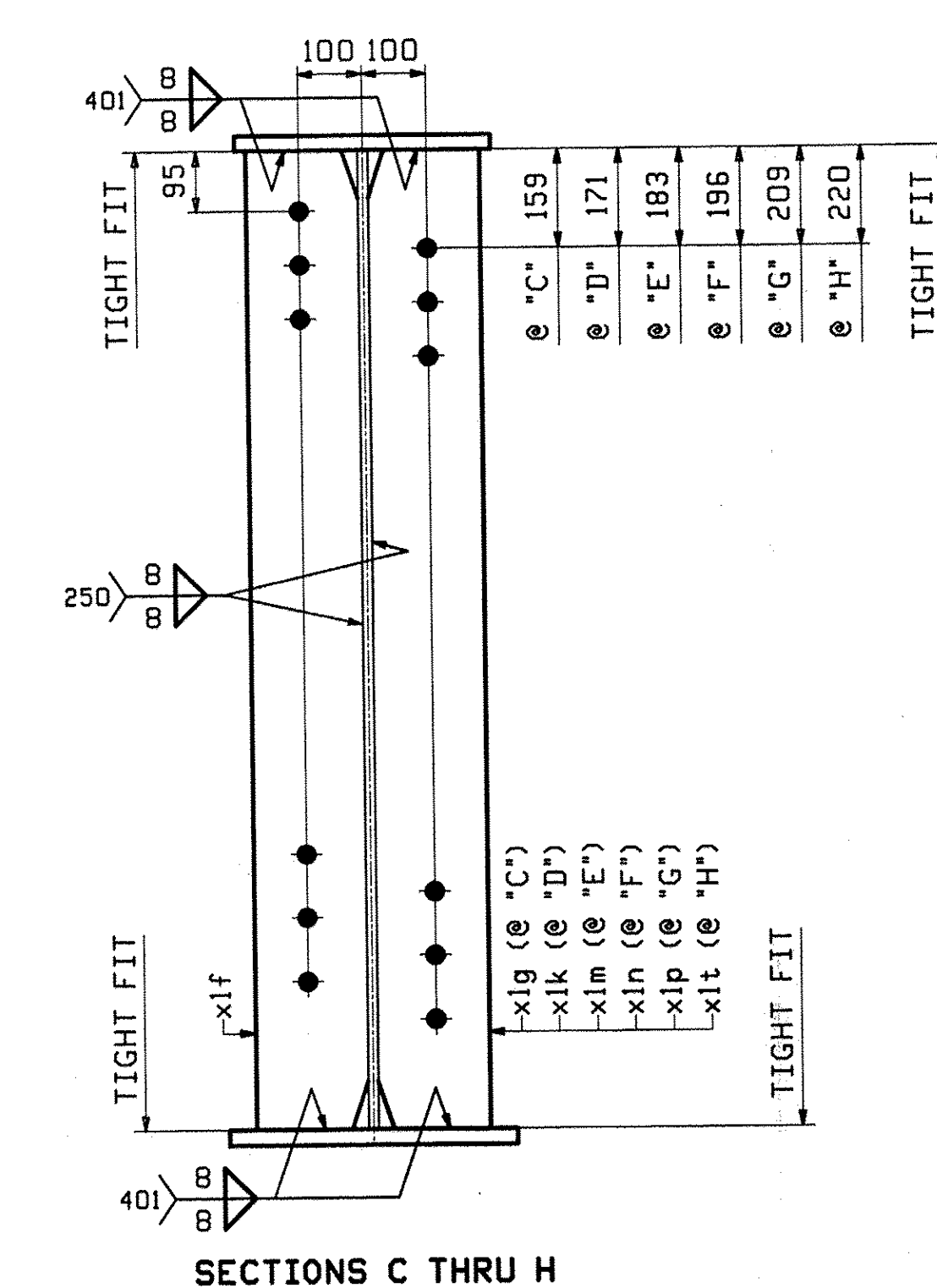
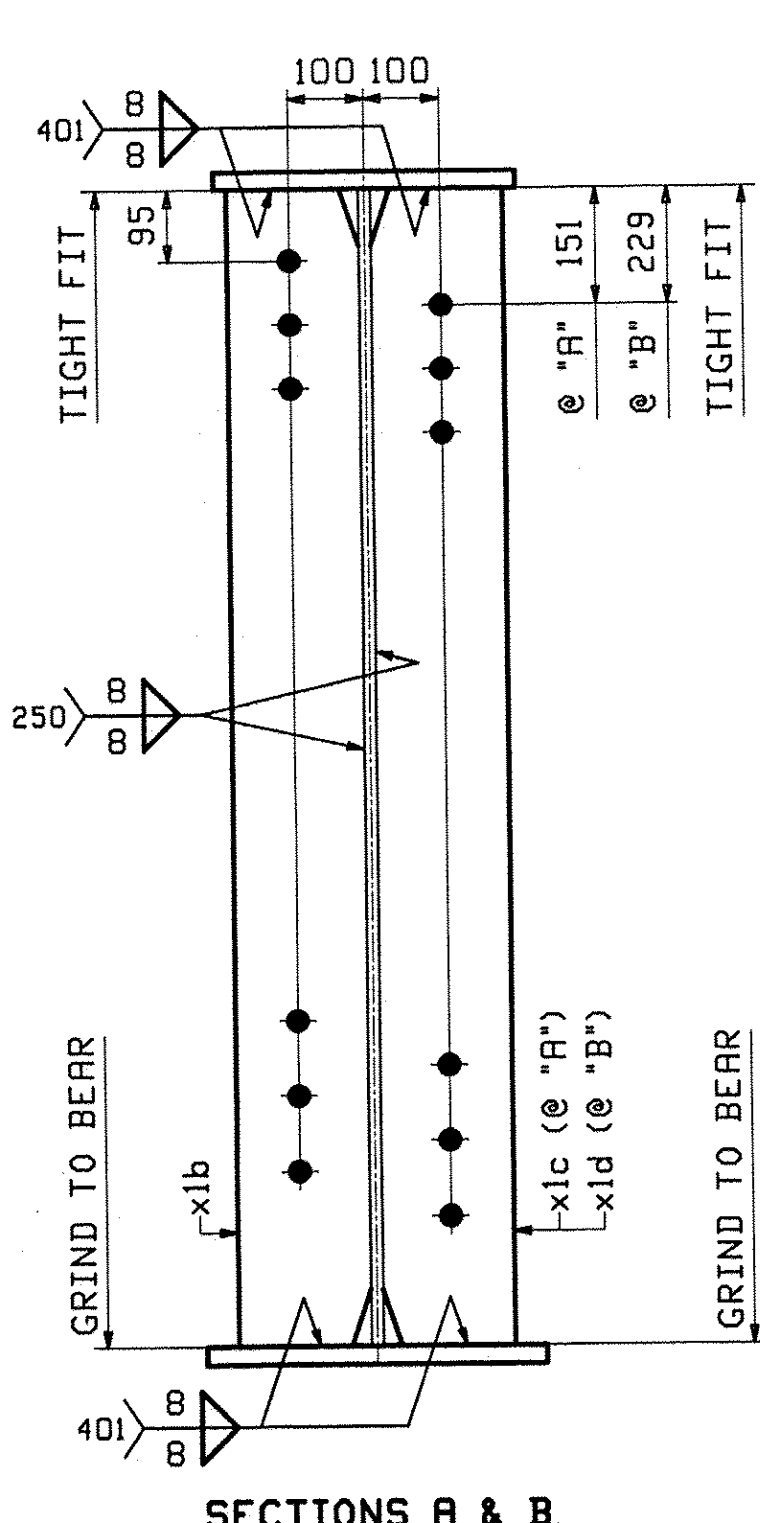
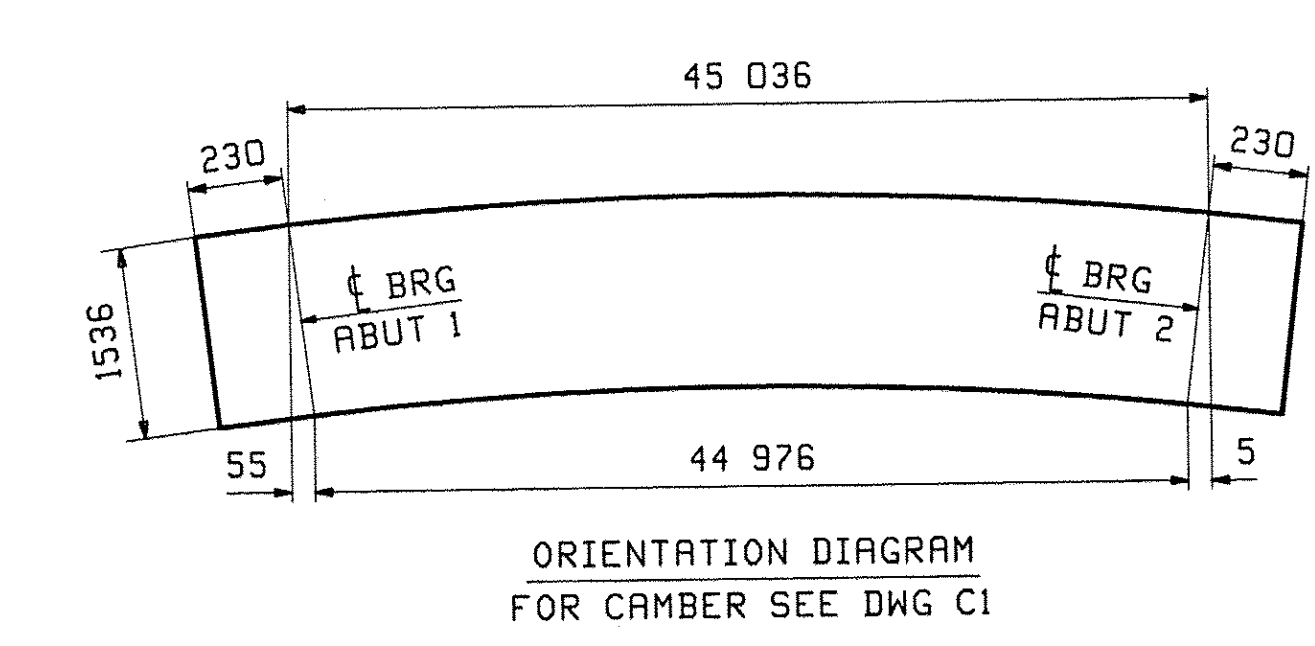


ABM INFO		BILL OF MATERIAL				JOB NO.	DRAWING NO.	REV.	
PAGE	LINE	MARK	QTY	MARK	MATERIAL	LENGTH	REMARKS	WT	PROCUREMENT NOTES
		2G2	1		GIRDER				
1	L		1	wa	PL 16x1536	22 493	M270M-345HT2		
1	J		1	wb	PL 16x1536	23 023	M270M-345HT2		
1	E		1	ta	PL 24x400	24 230	M270M-345HT2		
1	G		1	tb	PL 24x400	21 266	M270M-345HT2		
1	C		1	ba	PL 24x450	10 217	M270M-345HT2		
1	R		1	bb	PL 42x450	25 000	M270M-345HT2		
1	C		1	bc	PL 24x450	10 219	M270M-345HT2		
2	B		2	xib	PL 18x175	1 536	MIE		
2	B		1	xic	PL 18x175	1 536	MIE		
2	B		1	xid	PL 18x175	1 536	MIE		
2	C		6	xif	PL 14x175	1 536			
2	C		1	xig	PL 14x175	1 536			
2	C		1	xik	PL 14x175	1 536			
2	C		1	xim	PL 14x175	1 536			
2	C		1	xin	PL 14x175	1 536			
2	C		1	xip	PL 14x175	1 536			
2	C		1	xit	PL 14x175	1 536			



ONE - GIRDER - 2G2
 FOR GIRDER STANDARDS SEE DRAWING X1.
 FOR CAMBER & FLANGE DIAGRAMS SEE DRAWING C1.
 FOR GENERAL NOTES SEE DRAWING GNI.
 T2 DENOTES MATERIAL SUBJECT TO CHARPY V-NOTCH TESTING.



0					6/18/10	
REV.	DATE	REMARKS	DWN	CHK	APVL	SHOP
MATERIAL: M270M-345W(CUN)		SURFACE PREP. & PAINT: SEE DWG GNI		HOLES: 15/16" Ø		SHOP BOLTS: NONE
DESCRIPTION: GIRDER - 2G2						
CASCO BAY STEEL STRUCTURES, INC. 75 SPRING HILL ROAD SACO, MAINE 04072 PHONE (207) 282-7360 FAX. (207) 282-1179						
STRUCTURE: VT Route 125 over Lemon Fair River Bridge No. 9 Cornwall County of Addison				DATE: 06/01	DRAWN: JTB	
				DATE: 06/16	CHKD: PCP	
LOCATION: CORNWALL, VERMONT				JOB NO. 457	DWG NO. 2	
PROJ NO. BRS 0172(6)					REV. 2	
CUSTOMER: VT ROT						

RECEIVED
 JUN 23 2010
 RESUBMIT APPROVED
 BY DATE 7/20/10