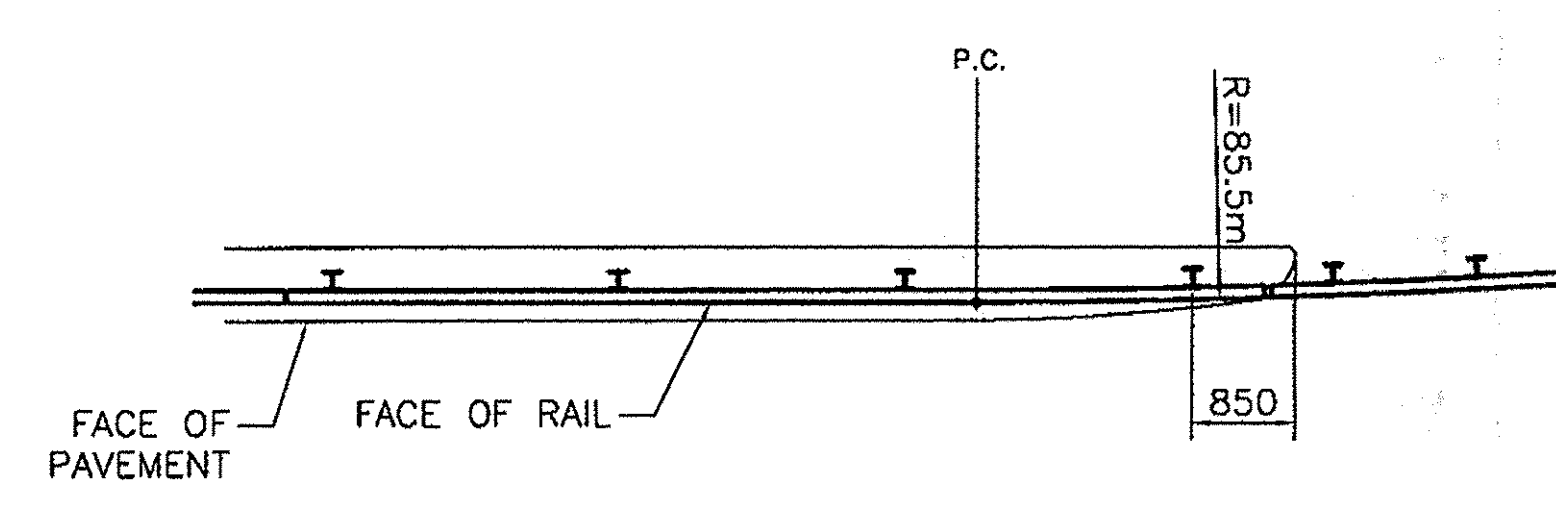
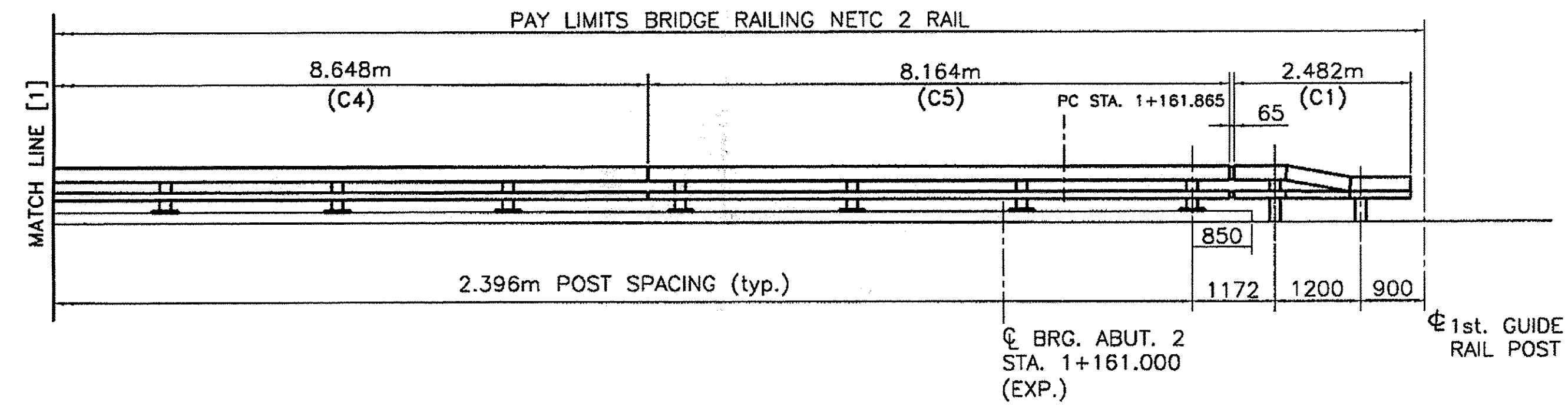


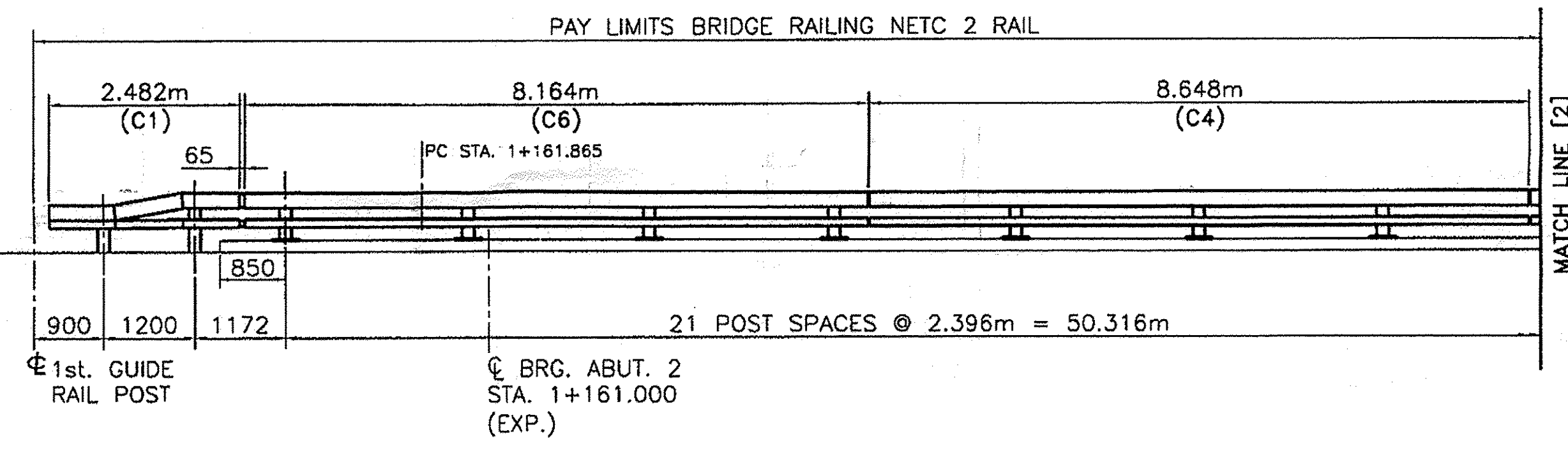
EAST RAIL ELEVATION  
FACING EAST FROM CENTER OF ROAD



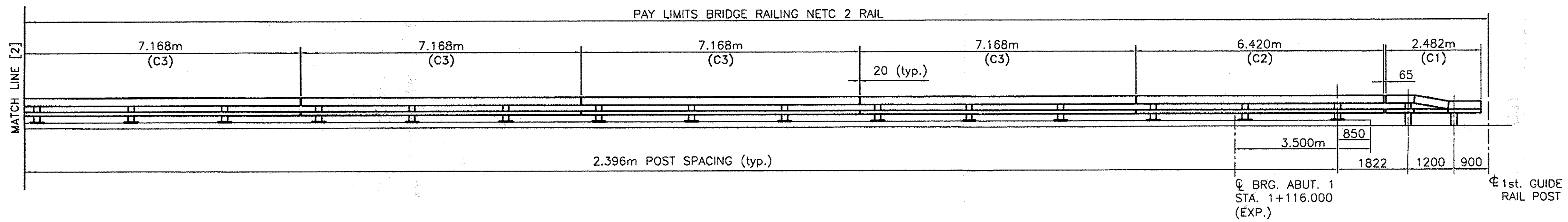
PARTIAL PLAN  
(SE CORNER)



WEST RAIL ELEVATION  
FACING WEST FROM CENTER OF ROAD



PARTIAL PLAN  
(SW CORNER)



Mark #	Qty	Description	Material
	44	W150x37.1 POST W/BASEPLATE (520mm) OAL	A708M Gr. 50
	4	W150x37.1 DRIVEN POST (2.134m) OAL	A708M Gr. 50
	4	W150x37.1 DRIVEN POST (1.958m) OAL	A708M Gr. 50
C1	4	TS 203 x 102 x 8 (2.482m) UPPER DROP END TUBE	A500 Gr. B
	4	TS 102 x 102 x 6 (2.482m) LOWER DROP END TUBE	A500 Gr. B
C2	2	TS 203 x 102 x 8 (6.420m) OAL	A500 Gr. B
	2	TS 102 x 102 x 6 (6.420m) OAL	A500 Gr. B
C3	8	TS 203 x 102 x 8 (7.168m) OAL	A500 Gr. B
	8	TS 102 x 102 x 6 (7.168m) OAL	A500 Gr. B
C4	2	TS 203 x 102 x 8 (8.648m) OAL	A500 Gr. B
	2	TS 102 x 102 x 6 (8.648m) OAL	A500 Gr. B
C5	1	TS 203 x 102 x 8 (8.164m) OAL (SHOP CURVED)	A500 Gr. B
	1	TS 102 x 102 x 6 (8.164m) OAL (SHOP CURVED)	A500 Gr. B
C6	1	TS 203 x 102 x 8 (8.164m) OAL (SHOP CURVED)	A500 Gr. B
	1	TS 102 x 102 x 6 (8.164m) OAL (SHOP CURVED)	A500 Gr. B
	16	TS 178 x 76 x 10 SPLICE TUBE 500 LONG	A500 Gr. B
	16	TS 76 x 76 x 8 SPLICE TUBE 500 LONG	A500 Gr. B
	44	3mm BEARING PAD	NEOPRENE
	4	BACK UP PLATE	A708M Gr. 36
	4	TERMINAL CONNECTOR	M180 B2
	232	M20 ROUND HEAD BOLT, 152 LONG	M164M
	232	M20 HEX NUT	A563 DH
	232	M20 WASHER	F436M
	128	M16 SPLICE BOLT, 44 LONG	M164M
	128	M16 PLAIN HARDENED WASHER	F436M
	64	M16 NUT WELDED TO SPLICE TUBE	A563A
	80	M20 x 13 SCH. 40 PIPE SPACER	A53 Gr. B
	176	M24 ANCHOR STUD, 305 LONG	A449
	176	M24 WASHER	F436M
	176	M24 JAMB NUT	A563 DH
	352	M24 HEX NUT	A563 DH
	44	SPACER PLATE	A708M Gr. 36

- NOTES:
- ITEMS MARKED "\*" ARE NOT SUPPLIED BY HIGHWAY SAFETY CORPORATION, AND THEY ARE SHOWN ONLY FOR REFERENCE.
  - TOTAL PAY LIMITS FOR ITEM 525.33 (BOTH SIDES OF BRIDGE) 115.02 m.
  - PARTIAL LENGTH OF TUBES MARKED (C5) TO BE SHOP CURVED TO 85.5 m CONVEX RADIUS.
  - PARTIAL LENGTH OF TUBES MARKED (C6) TO BE SHOP CURVED TO 94.5 m CONCAVE RADIUS.

No.	Remarks	Date
0	Initial submittal	10-01-10
REVISIONS		

RECEIVED  
 CK'D BY: *mem*  
 10/21/2010  
 RESUBMIT APPROVED  
 BY: *mem* DATE: 11/23/2010

**HIGHWAY SAFETY CORP**  
 GLASTONBURY, CT  
 860-633-9445

ITEM 525.33 NETC 2 RAIL BRIDGE RAILING  
 TOWN OF CORNWALL  
 COUNTY OF ADDISON  
 VT ROUTE 125 BRIDGE NO. 9  
 PROJECT NUMBER BRS 0172 (6)

**CERTIFIED FABRICATOR**

HSC JOB NO. **1785**  
 SHEET NO. **1 of 2**

GENERAL CONTRACTOR: **F.R. LAFAYETTE**

DRAWN: **MHM** CHECKED: **PAR** DATE: **09-20-10** SCALE: **N.T.S.** SIZE: **D**