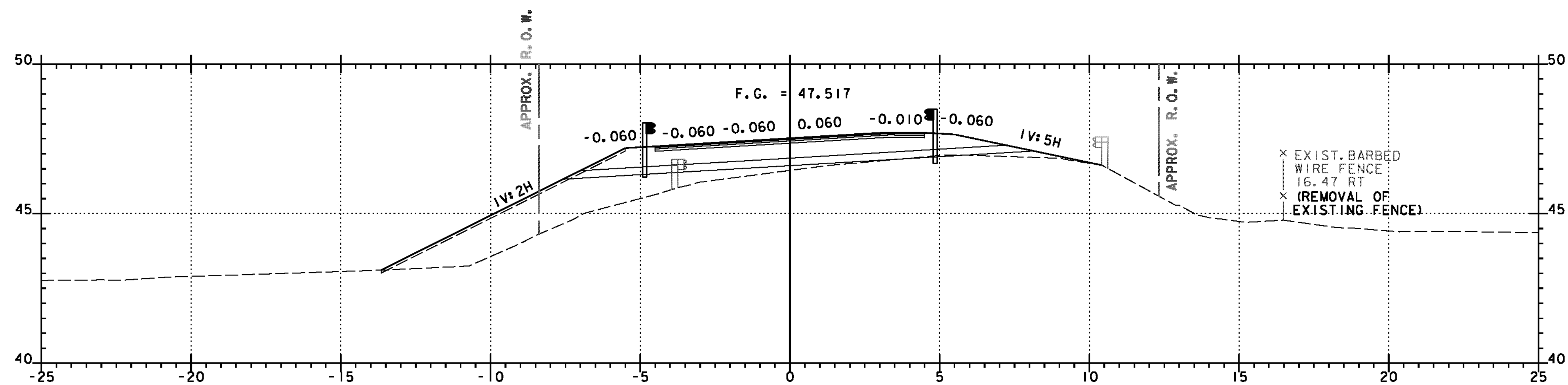
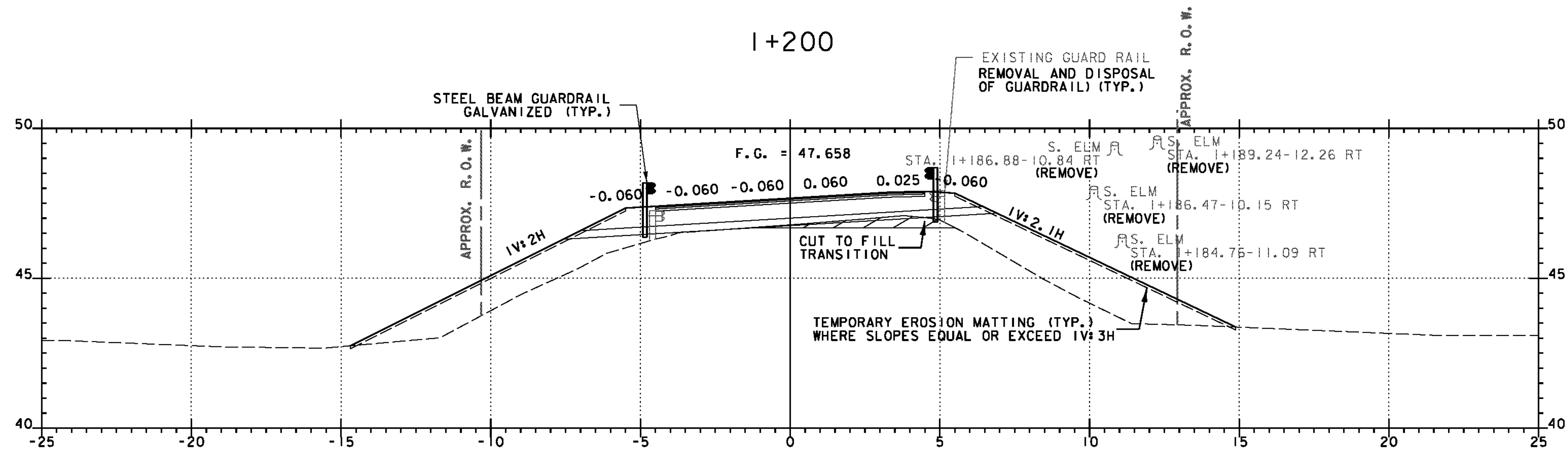


I+220



I+200



I+180



DATUM	
VERTICAL	NAVD 88
HORIZONTAL	NAD 83(92)

# Mainline VT 125

STA. I+180 TO STA. I+220

PROJECT: CORNWALL	PROJECT NO.: BRS 0172(6)
DESIGN FILE NAME: z85e042xs5.dgn	PLOT DATE: 2/12/2010
IPARM FILE NAME:	SURVEY DATE: 1996&1999
SURVEYED BY: VTRANS & VT SURVEY	DRAWN BY: ERIK ATKINS
SQUAD LEADER: MARTHA EVANS-MONGEON	SHEET: 123 OF 144
MAINLINE CROSS SECTION SHEET 6	