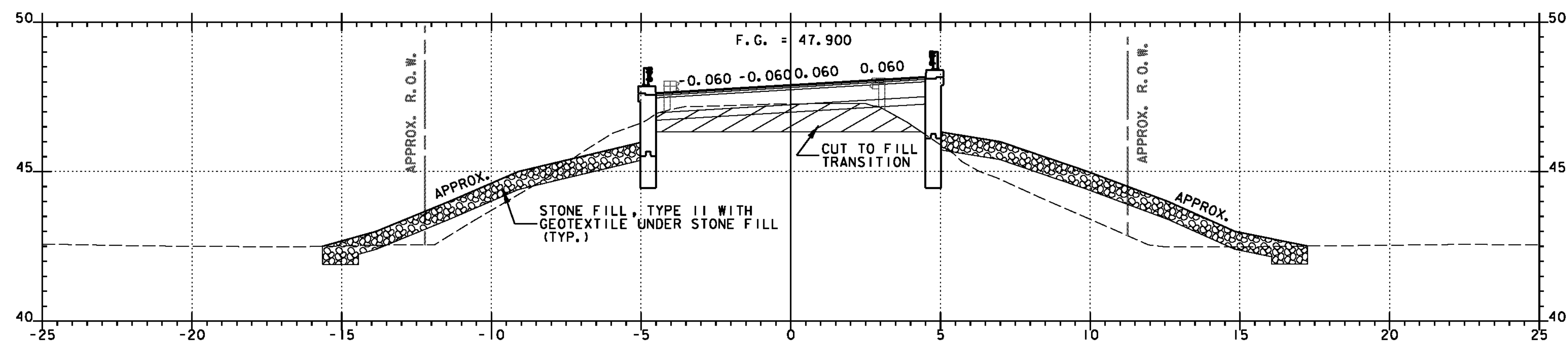
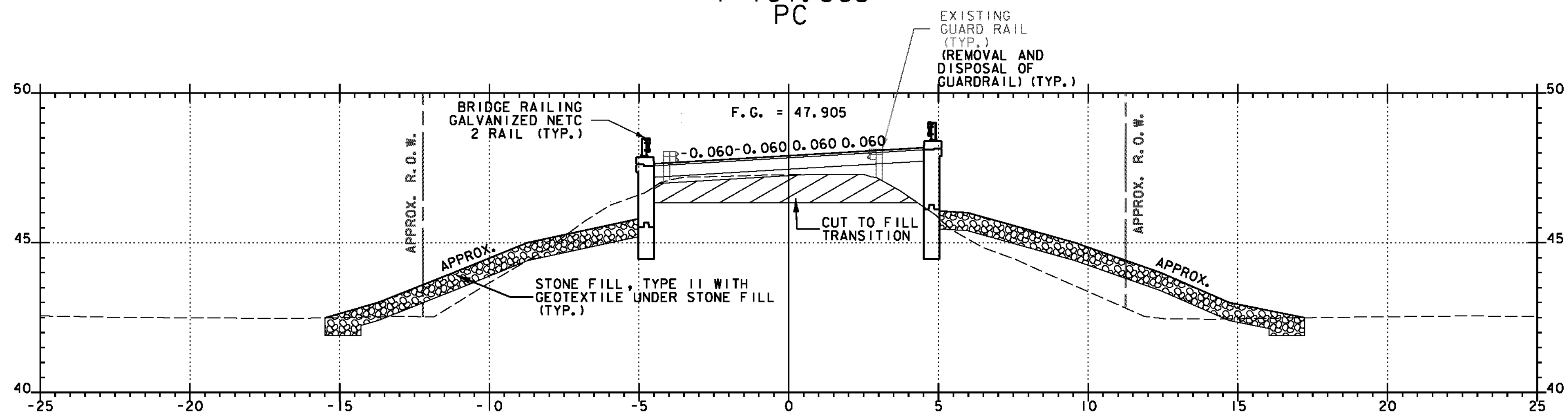


POC 1+167.500
END APPROACH SLAB



1+161.865
PC



POT 1+161.500
END BRIDGE
RESUME ROADWAY

**Mainline
VT 125**



DATUM	
VERTICAL	NAVD 88
HORIZONTAL	NAD 83(92)

STA. 1+161.500 TO STA. 1+167.500

PROJECT: CORNWALL	PROJECT NO.: BRS 0172(6)
DESIGN FILE NAME: z85e042xs5.dgn	PLOT DATE: 2/15/2010
IPARM FILE NAME:	SURVEY DATE: 1996&1999
SURVEYED BY: VTRANS & VT SURVEY	DRAWN BY: ERIK ATKINS
SQUAD LEADER: MARTHA EVANS-MONGEON	SHEET: 122 OF 144
MAINLINE CROSS SECTION SHEET 5	