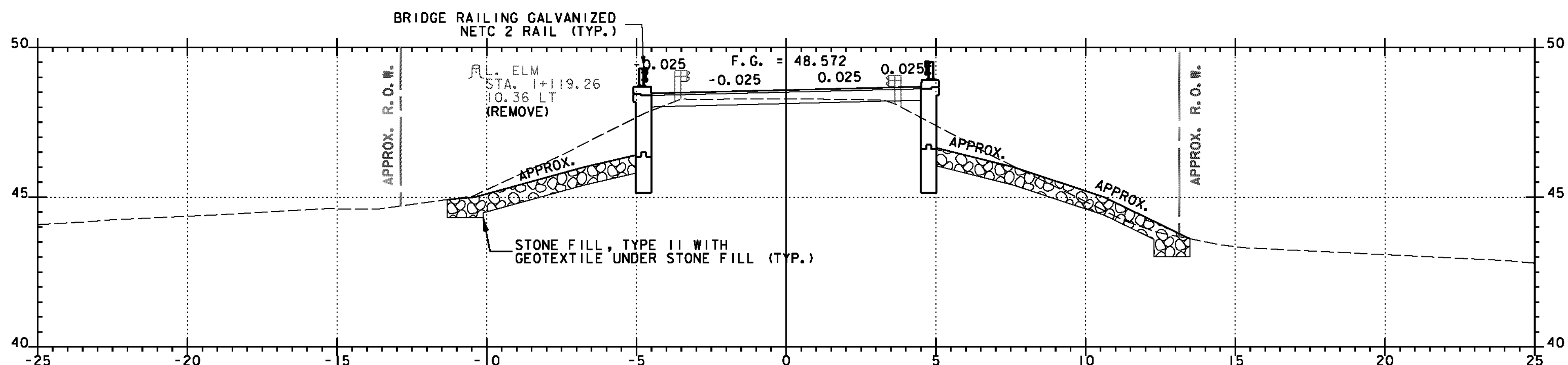


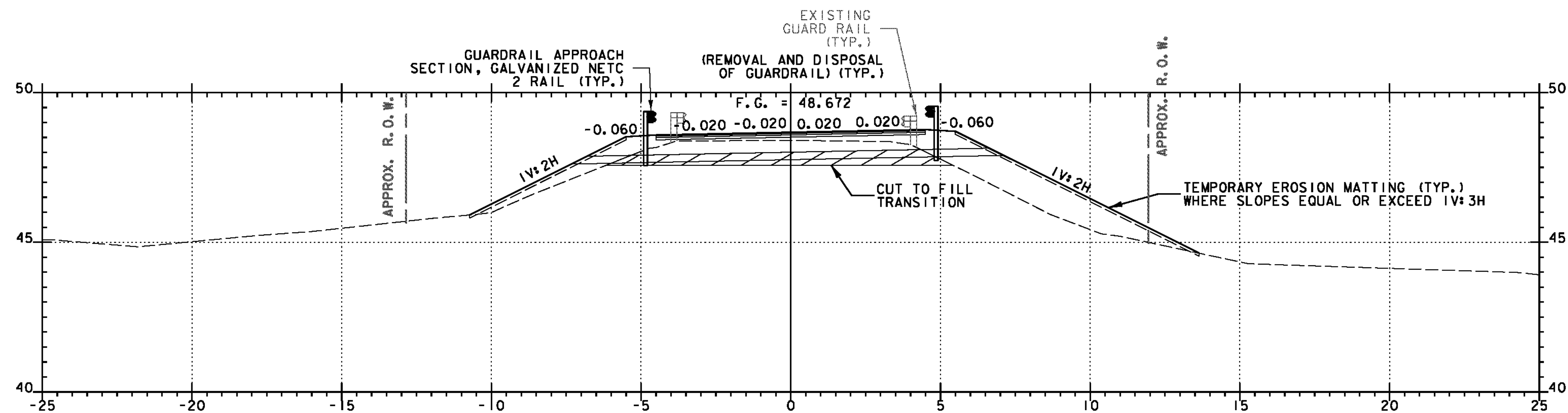
BANKING TRANSITION DETAIL

* MAINTAIN MAXIMUM BANKED SECTION UNTIL STA. 1+312.485
SEE SHEET 126 FOR CONTINUATION

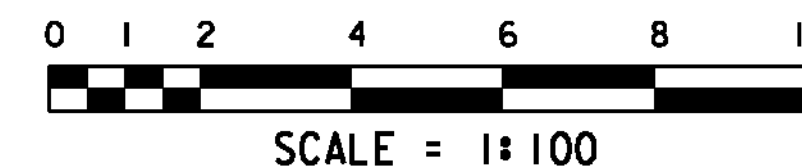
SCALES:
HORIZ: 1:400
VERT: 1:2.0



**POT 1+115.500
STOP ROADWAY
BEGIN BRIDGE**



**POT 1+109.500
BEGIN APPROACH SLAB**



DATUM	
VERTICAL	NAVD 88
HORIZONTAL	NAD 83(92)

**Mainline
VT 125**

STA. 1+109.500 TO STA. 1+115.500

PROJECT: CORNWALL	PROJECT NO.: BRS 0172(6)
DESIGN FILE NAME: z85e042xs5.dgn	PLOT DATE: 2/5/2010
IPARM FILE NAME:	SURVEY DATE: 1996&1999
SURVEYED BY: VTRANS & VT SURVEY	DRAWN BY: ERIK ATKINS
SQUAD LEADER: MARTHA EVANS-MONGEON	SHEET: 120 OF 144
MAINLINE CROSS SECTION SHEET 3	